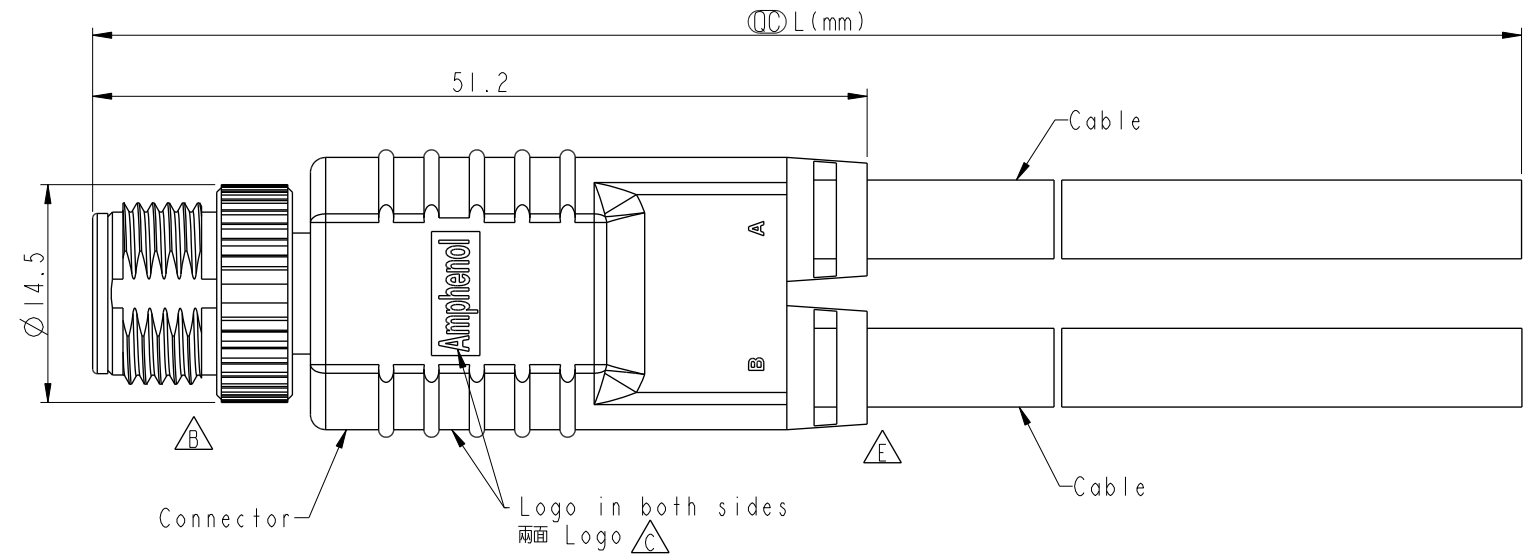
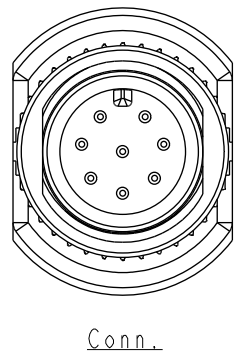


THIS DOCUMENT IS SUBJECT TO CHANGE WITHOUT NOTICE. IT IS CONFIDENTIAL AND A PROPERTY OF Amphenol LTW. DISCLOSURE TO THIRD PARTY HAS TO BE AUTHORIZED BY Amphenol LTW.

REV.	ECN NO.	DATE	SIGN	DESCRIPTION
C	LEN13B0228-31	2013/08/08	Cary	Change Logo From LTW To Amphenol
D	C211215	2021/08/09	Jiahe Lin	$\triangle D$ X2
E	C230520	2023/04/24	Vicky	$\triangle E$ X8



- $\triangle D$ Note:
- * RoHS Compliant
 - * ⌀ Important dimension
 - $\triangle E$ * Waterproof rate: IP68, unmated 1m/24h
 - * Connector
Housing: Thermoplastic, Black
Pin: Copper alloy, Gold plated
Nut: Metal
 - * Outer mold: Thermoplastic, Black
 - $\triangle F$ * Cable: 3-5Pin, Nonul, PU Jacket, Black
8Pin, UL20549, PU Jacket, Black
 - * Cable length tolerance: 1M: +50/-0 mm
1M < L ≤ 3M: +100/-0 mm
3M < L ≤ 5M: +150/-0 mm
5M < L ≤ 10M: ±100 mm
10M < L ≤ 20M: ±200 mm
20M < L ≤ 30M: ±300 mm
30M < L ≤ 99M: ±500 mm

UNIT: mm			TITLE ACC, SEN, A Code, Y ADA W/ CB M
TOLERANCE ±0.5mm	SCALE 2:1	SIZE A4	SHEET 1 OF 2
REV. E	WC-REV. A.2	⌀ : Inspection item	

Amphenol LTW
安費諾亮泰企業股份有限公司

ITEM NO.	DRAWN BY Cary liu	DATE 2013-08-08
DWG NO. $\triangle F$ SS-XX0000-M00-YSBXX	CHECKED BY Mafei	DATE 2013-08-08
CUSTOMER ALTW	APPROVED BY Victor	DATE 2013-08-08

THIS DOCUMENT IS SUBJECT TO CHANGE WITHOUT NOTICE. IT IS CONFIDENTIAL AND A PROPERTY OF Amphenol LTW. DISCLOSURE TO THIRD PARTY HAS TO BE AUTHORIZED BY Amphenol LTW.

8P	4.8	24	SS-080000-M00-YSBXX
5P	5.0	22	SS-050000-M00-YSBXX
4P	4.8	22	SS-040000-M00-YSBXX
3P	4.5	22	SS-030000-M00-YSBXX
Contacts	Cable OD	AWG	Item No.

△E XX: No. Of Pin — SS-XX0000-M00-YSBXX

XX: 01~99Meters
 01: 01Meter
 02: 02Meters
 :
 99: 99Meters

Pin Out	4 Black 黑 3 Blue 藍 1 Brown 棕	4 Black 黑 3 Blue 藍 1 Brown 棕	4 Blue 藍 3 White 白 2 Black 黑 1 Brown 棕	4 Blue 藍 3 White 白 2 Black 黑 1 Brown 棕	5 Green 綠 4 Black 黑 3 Blue 藍 2 White 白 1 Brown 棕	5 Green 綠 4 Black 黑 3 Blue 藍 2 White 白 1 Brown 棕	8 Red 紅 7 Blue 藍 6 Pink 粉紅 5 Gray 灰 4 Yellow 黃 3 Green 綠 2 Brown 棕 1 White 白	8 Red 紅 7 Blue 藍 6 Pink 粉紅 5 Gray 灰 4 Yellow 黃 3 Green 綠 2 Brown 棕 1 White 白
	Pin # Wire A	Pin # Wire B	Pin # Wire A	Pin # Wire B	Pin # Wire A	Pin # Wire B	Pin # Wire A	Pin # Wire B
Conn.								
	3P	4P	5P	8P				

△E Pin Assignments Front View

UNIT:mm TOLERANCE ±0.5mm	TITLE ACC, SEN, A Code, Y ADA W/ CB M		 Amphenol LTW 安費諾亮泰企業股份有限公司	ITEM NO	DRAWN BY Cary liu	DATE 2013-08-08	
	SCALE 2:1	SIZE A4		SHEET 2 OF 2	DWG NO △E SS-XX0000-M00-YSBXX	CHECKED BY Mafei	DATE 2013-08-08
	REV. E	WC-REV. A.2		QC: Inspection item	CUSTOMER ALTW	APPROVED BY Victor	DATE 2013-08-08