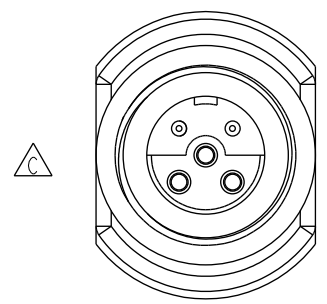
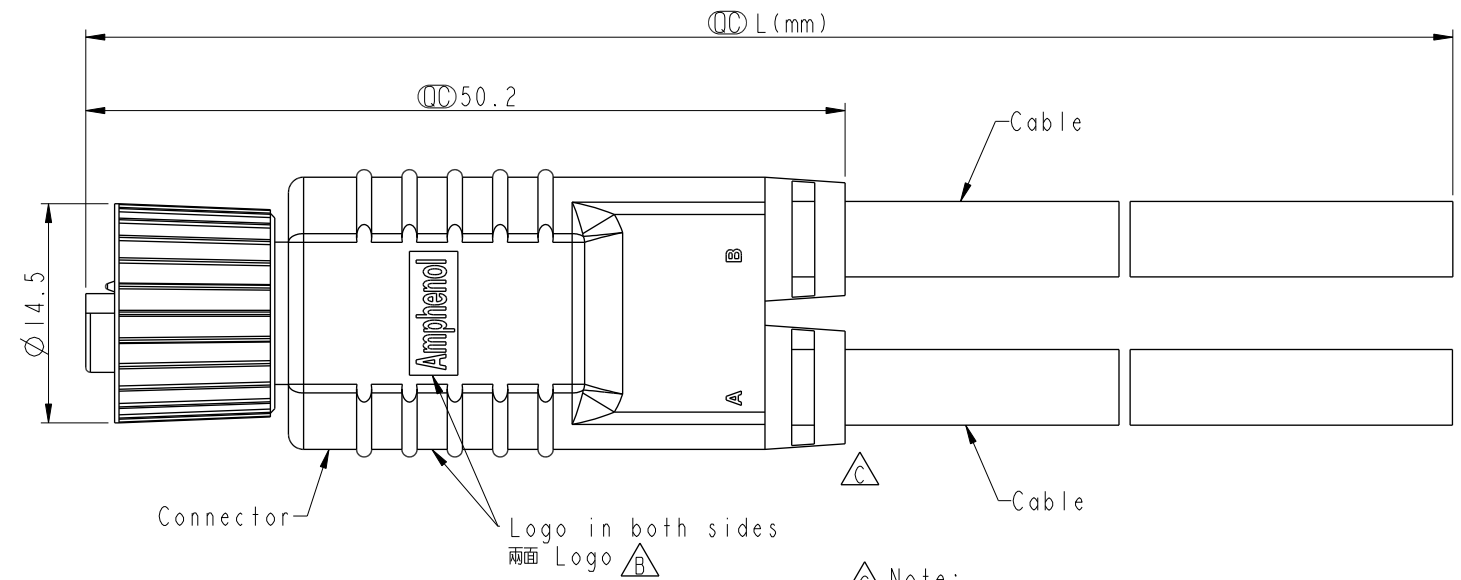


THIS DOCUMENT IS SUBJECT TO CHANGE WITHOUT NOTICE. IT IS CONFIDENTIAL AND A PROPERTY OF Amphenol LTW. DISCLOSURE TO THIRD PARTY HAS TO BE AUTHORIZED BY Amphenol LTW.

REV.	ECN NO.	DATE	SIGN	DESCRIPTION
B	LEN13B0140~43	2013/08/09	Cary	Change Logo To Amphenol
C	C230520	2023/04/24	Vicky	△C X6



Conn.

Connector

Logo in both sides
兩面 Logo △B

Cable

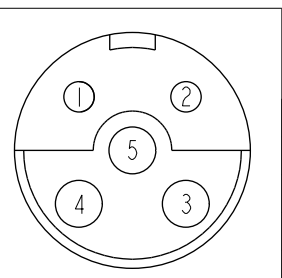
Cable

- △C Note:
- * RoHS Compliant
 - * ∅ Important dimension
 - △B * Waterproof rate: IP68, unmated 1m/24h
 - * Connector
 - Housing: Thermoplastic, Black
 - Pin: Copper alloy, Gold plated
 - O-Ring: Rubber, Green
 - Nut: Metal
 - Outer mold: Thermoplastic, Black
 - * Cable: Nonul, 22AWG*5C+FP, Black, PU Jacket, OD=5.0mm
 - △B * Cable length tolerance: 1M: +50/-0 mm
- 1M < L ≤ 3M: +100/-0 mm
 3M < L ≤ 5M: +150/-0 mm
 5M < L ≤ 10M: ±100 mm
 10M < L ≤ 20M: ±200 mm
 20M < L ≤ 30M: ±300 mm
 30M < L ≤ 99M: ±500 mm

SI-XX0000-Z00-YSBXX

△C XX: No. Of Pin

XX: 01~99Meters
 01: 01Meter
 02: 02Meters
 ...
 99: 99Meters



5P

Pin Assignments
Front View

5	Green	綠	Green	綠
4	White	白	White	白
3	Brown	棕	Brown	棕
2	Blue	藍	Blue	藍
1	Black	黑	Black	黑
		A		B
Conn.	Wire Color		Pin Out	

UNIT:mm		TITLE	ACC, SEN, A Code, Y ADA W/ CB
TOLERANCE	±0.5mm	SCALE	2:1
		SIZE	A4
		SHEET	1 OF 1
		REV.	C
		WC-REV.	A.3
		QC	Inspection item

Amphenol LTW
 安費諾亮泰企業股份有限公司

ITEM NO	DRAWN BY	DATE
DWG NO	Cary_liu	2013-08-09
CUSTOMER	CHECKED BY	DATE
ALTW	Mafei	2013-08-09
	APPROVED BY	DATE
	Victor	2013-08-09