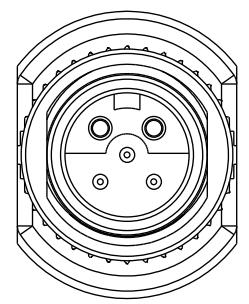
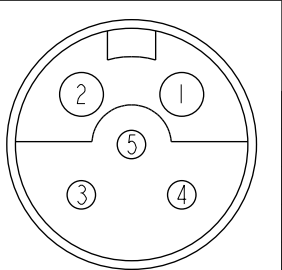
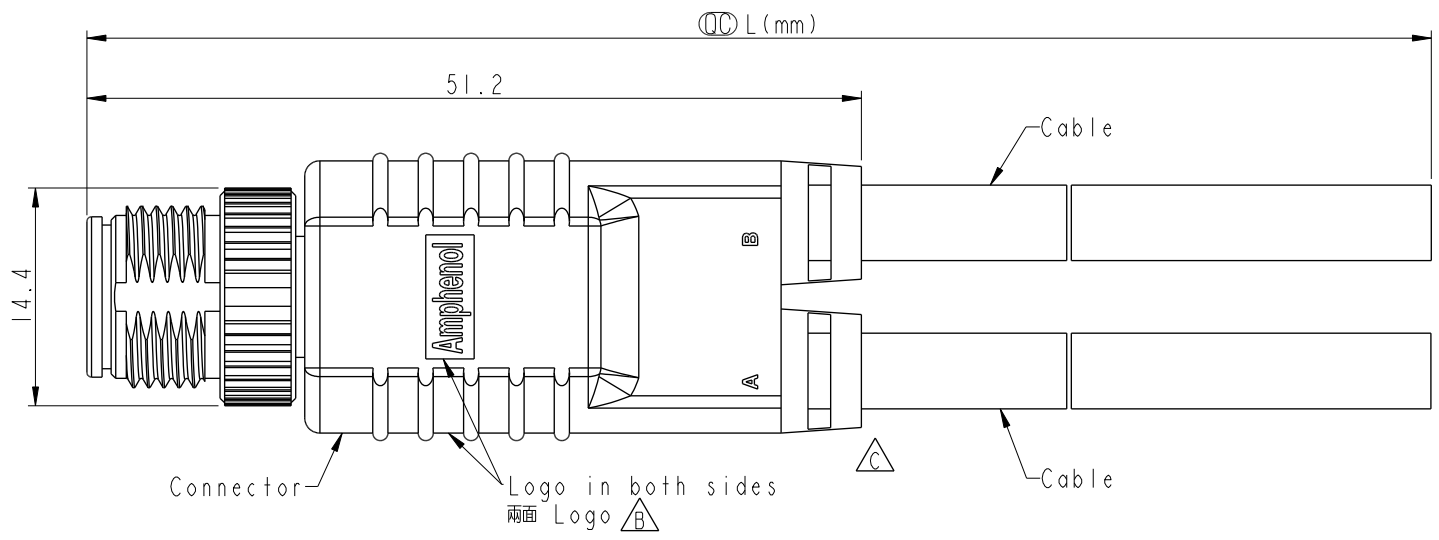


THIS DOCUMENT IS SUBJECT TO CHANGE WITHOUT NOTICE. IT IS CONFIDENTIAL AND A PROPERTY OF Amphenol LTW. DISCLOSURE TO THIRD PARTY HAS TO BE AUTHORIZED BY Amphenol LTW.

REV.	ECN NO.	DATE	SIGN	DESCRIPTION
B	LEN13B0233~36	2013/08/10	Cary	Change Logo To Amphenol
C	C230520	2023/04/24	Vicky	△C X5
D	C241128	2024/10/08	Vicky	△D XI



Conn.



5P

Pin Assignments Front View

Conn.	Wire Color	Pin Out
5	Green 綠	Green 綠
4	Black 黑	Black 黑
3	Blue 藍	Blue 藍
2	White 白	White 白
1	Brown 棕	Brown 棕
	A	B

SI-XX0000-M00-YSBXX

△C XX: No. Of Pin

XX:01~99Meters  
01:01Meter  
02:02Meters  
:  
99:99Meters

- Note:
- \* RoHS Compliant
  - \* △C Important dimension
  - \* △B △D Waterproof rate: IP68, mated 1m/24h
  - \* Connector
  - Housing: Thermoplastic, Black
  - Pin: Copper alloy, Gold plated
  - Nut: Metal
  - Outer mold: Thermoplastic, Black
  - \* Cable: Nonul, 22AWG\*5C+FP, Black, PU Jacket, OD=5.0mm
  - \* △B Cable length tolerance: 1M: +50/-0 mm  
1M < L ≤ 3M: +100/-0 mm  
3M < L ≤ 5M: +150/-0 mm  
5M < L ≤ 10M: ±100 mm  
10M < L ≤ 20M: ±200 mm  
20M < L ≤ 30M: ±300 mm  
30M < L ≤ 99M: ±500 mm

UNIT:mm		TITLE	ACC, SEN, A Code, Y ADA W/ CB M
TOLERANCE	±0.5mm	SCALE	2:1
		SIZE	A4
		SHEET	1 OF 1
		REV.	D
		WC-REV.	A.2
		△C	△C: Inspection item

**Amphenol LTW**  
安費諾亮泰企業股份有限公司

ITEM NO	DRAWN BY	DATE
DWG NO	CHECKED BY	DATE
CUSTOMER	APPROVED BY	DATE
ALTW	Vicky Rita Fred	2024-10-08 2024-10-08 2024-10-08