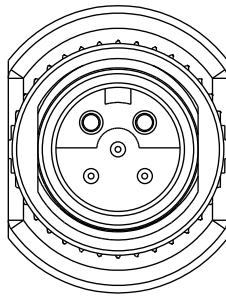
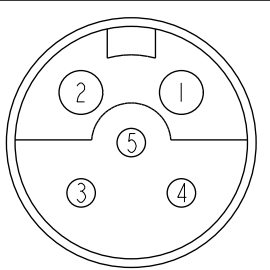
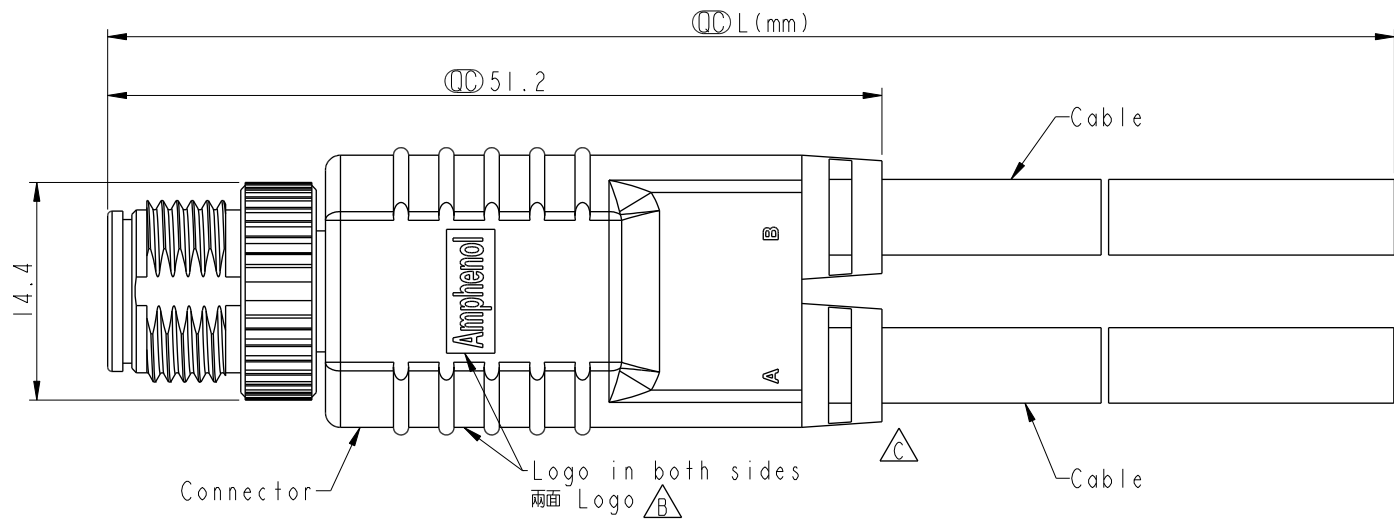


THIS DOCUMENT IS SUBJECT TO CHANGE WITHOUT NOTICE. IT IS CONFIDENTIAL AND A PROPERTY OF AMPHENOL LTW. DISCLOSURE TO THIRD PARTY HAS TO BE AUTHORIZED BY AMPHENOL LTW.

REV.	ECN NO.	DATE	SIGN	DESCRIPTION
B	LEN13B0165~68	2013/08/10	Cary	Change Logo To Amphenol
C	C230520	2023/04/24	Vicky	△C X5



Conn.



5P

Pin Assignments Front View

Conn.	Wire Color	Pin Out
5	Green 綠	Green 綠
4	Black 黑	Black 黑
3	Blue 藍	Blue 藍
2	White 白	White 白
1	Brown 棕	Brown 棕
	A	B

SI-XX0000-K00-YSBXX

△C XX: No. Of Pin

XX: 01~99Meters  
 01: 01Meters  
 02: 02Meters  
 ...  
 99: 99Meters

- △C Note:
- \* RoHS Compliant
  - \* △C Important dimension
  - △B \* Waterproof rate: IP68, unmated 1m/24h
  - \* Connector
  - Housing: Thermoplastic, Black
  - Pin: Copper alloy, Gold plated
  - Nut: Metal
  - Outer mold: Thermoplastic, Black
  - \* Cable: Nonul, 22AWG\*5C+FP, Black, PU Jacket, OD=5.0mm
  - △B \* Cable length tolerance: 1M: +50/-0 mm
  - 1M < L ≤ 3M: +100/-0 mm
  - 3M < L ≤ 5M: +150/-0 mm
  - 5M < L ≤ 10M: ±100 mm
  - 10M < L ≤ 20M: ±200 mm
  - 20M < L ≤ 30M: ±300 mm
  - 30M < L ≤ 99M: ±500 mm

UNIT:mm		TITLE	ACC, SEN, A Code, Y ADA W/ CB M
TOLERANCE	±0.5mm	SCALE	2:1
		SIZE	A4
		SHEET	1 OF 1
		REV.	C
		WC-REV.	A.2
		△C	Inspection item

**Amphenol LTW**  
 安費諾亮泰企業股份有限公司

ITEM NO	DRAWN BY	DATE
	Cary_liu	2013-08-10
DWG NO	CHECKED BY	DATE
△C SI-XX0000-K00-YSBXX	Mafei	2013-08-10
CUSTOMER	APPROVED BY	DATE
ALTW	Victor	2013-08-10