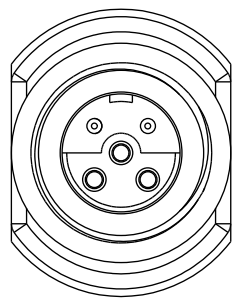
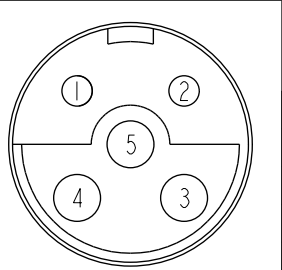
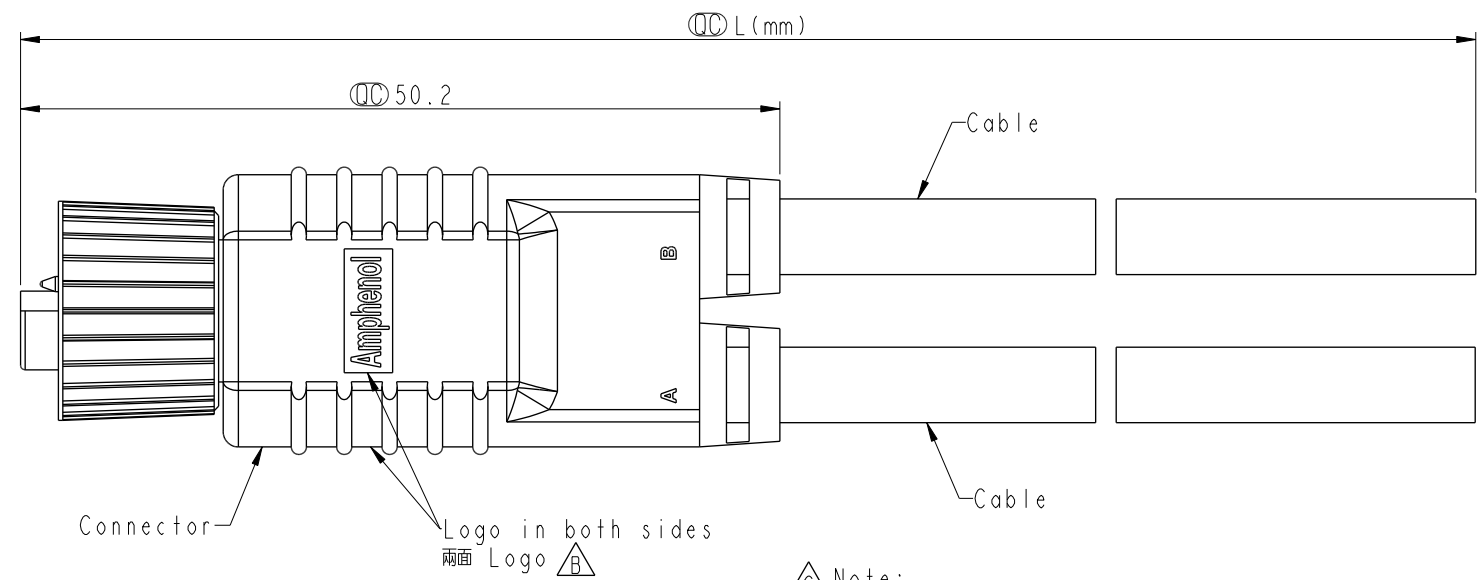


THIS DOCUMENT IS SUBJECT TO CHANGE WITHOUT NOTICE. IT IS CONFIDENTIAL AND A PROPERTY OF Amphenol LTW. DISCLOSURE TO THIRD PARTY HAS TO BE AUTHORIZED BY Amphenol LTW.

REV.	ECN NO.	DATE	SIGN	DESCRIPTION
B	LEN13B0160~63	2013/09/03	Cary	Change Logo From LTW To Amphenol
C	C230520	2023/04/24	Vicky	△C X4



Conn.



5P

Pin Assignments Front View

Conn.	Wire Color			
	Pin Out			
5	Green	綠	Green	綠
4	Black	黑	Black	黑
3	Blue	藍	Blue	藍
2	White	白	White	白
1	Brown	棕	Brown	棕
	A		B	

SI-XX0000-F00-YSBXX

△C XX: No. Of Pin

XX: 01~99Meters  
 01: 01Meters  
 02: 02Meters  
 ...  
 99: 99Meters

- △C Note:
- \* RoHS Compliant
  - \* △C Important dimension
  - △B \* Waterproof rate: IP68, unmated 1m/24h
  - \* Connector
  - Housing: Thermoplastic, Black
  - Pin: Copper alloy, Gold plated
  - O-Ring: Rubber, Green
  - Nut: Metal
  - Outer mold: Thermoplastic, Black
  - \* Cable: Nonul, 22AWG\*5C+FP, Black, PU Jacket, OD=5.0mm
  - △B \* Cable length tolerance: 1M: +50/-0 mm
- |  |                         |
|--|-------------------------|
|  | 1M < L ≤ 3M: +100/-0 mm |
|  | 3M < L ≤ 5M: +150/-0 mm |
|  | 5M < L ≤ 10M: ±100 mm   |
|  | 10M < L ≤ 20M: ±200 mm  |
|  | 20M < L ≤ 30M: ±300 mm  |
|  | 30M < L ≤ 99M: ±500 mm  |

UNIT:mm		TITLE	ACC, SEN, A Code, Y ADA W/ CB
TOLERANCE	±0.5mm	SCALE	2:1
		SIZE	A4
		SHEET	1 OF 1
		REV.	C
		WC-REV.	A.3
		△C	Inspection item

**Amphenol LTW**  
 安費諾亮泰企業股份有限公司

ITEM NO	DRAWN BY	DATE
	Cary_liu	2013-09-03
DWG NO	CHECKED BY	DATE
△C SI-XX0000-F00-YSBXX	Tom_gu	2013-09-03
CUSTOMER	APPROVED BY	DATE
ALTW	Victor	2013-09-03