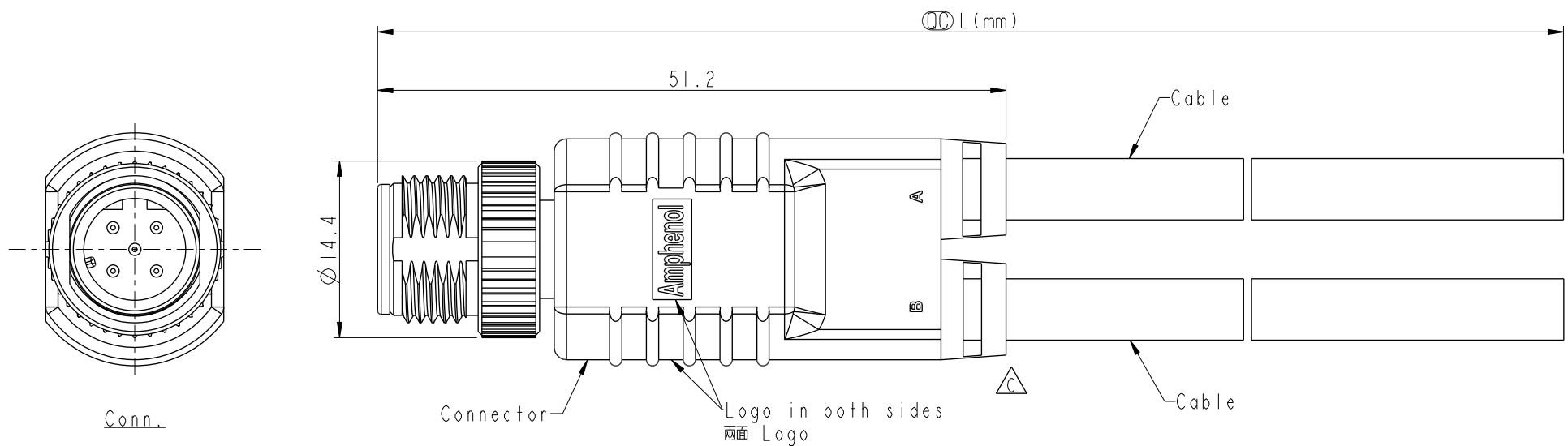


THIS DOCUMENT IS SUBJECT TO CHANGE WITHOUT NOTICE. IT IS CONFIDENTIAL AND A PROPERTY OF Amphenol LTW. DISCLOSURE TO THIRD PARTY HAS TO BE AUTHORIZED BY Amphenol LTW.

REV.	ECN NO.	DATE	SIGN	DESCRIPTION
B	LEN13B0135~38	2013/06/01	Cary	Change Logo From LTW To Amphenol
C	C230520	2023/04/25	Vicky	△ X9



- △ Note:
- * RoHS Compliant
 - * Ⓞ Important dimension
 - △ * Waterproof rate: IP68, unmated 1m/24h
 - * Connector
Housing: Thermoplastic, Black
Pin: Copper alloy, Gold plated
Nut: Metal
Outer mold: Thermoplastic, Black
 - * Cable: Nonul, PU Jacket, Black
 - △ * Cable length tolerance: 1M: +50/-0 mm
- | | |
|----------------|------------|
| 1M < L ≤ 3M: | +100/-0 mm |
| 3M < L ≤ 5M: | +150/-0 mm |
| 5M < L ≤ 10M: | ±100 mm |
| 10M < L ≤ 20M: | ±200 mm |
| 20M < L ≤ 30M: | ±300 mm |
| 30M < L ≤ 99M: | ±500 mm |

UNIT:mm			TITLE ACC, SEN, D Code, Y ADA W/ CB M
TOLERANCE ±0.5mm	SCALE 2:1	SIZE A4	SHEET 1 OF 2
REV. C	WC-REV. A.3	Ⓞ: Inspection item	

Amphenol LTW
安費諾亮泰企業股份有限公司

ITEM NO	DRAWN BY Cary_liu	DATE 2013-06-01
DWG NO △ SD-XX0000-M00-YSBXX	CHECKED BY Tom_gu	DATE 2013-06-01
CUSTOMER ALTW	APPROVED BY Victor	DATE 2013-06-01

THIS DOCUMENT IS SUBJECT TO CHANGE WITHOUT NOTICE. IT IS CONFIDENTIAL AND A PROPERTY OF Amphenol LTW. DISCLOSURE TO THIRD PARTY HAS TO BE AUTHORIZED BY Amphenol LTW.

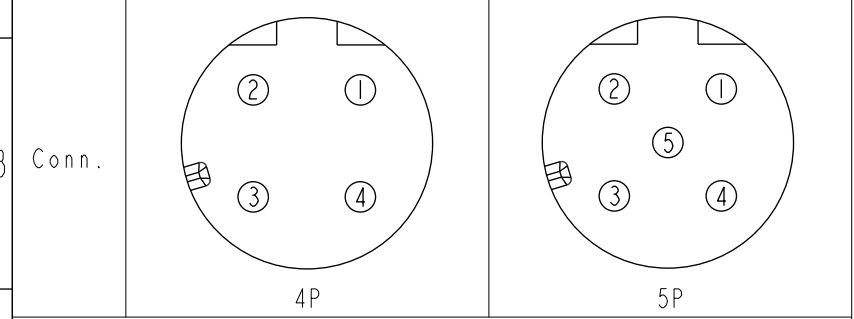
	5P	5.0	22	SD-050000-M00-YSBXX
	4P	4.8	22	SD-040000-M00-YSBXX
△	Contacts	Cable OD	AWG	Item No.

SD-XX0000-M00-YSBXX

△XX: No. Of Pin

XX: 01~99Meters
 01: 01Meter
 02: 02Meters
 ...
 99: 99Meters

Pin Out	4 Black 黑	4 Black 黑	5 Green 綠	5 Green 綠
	3 Blue 藍	3 Blue 藍	4 Black 黑	4 Black 黑
	2 White 白	2 White 白	3 Blue 藍	3 Blue 藍
	1 Brown 棕	1 Brown 棕	2 White 白	2 White 白
			1 Brown 棕	1 Brown 棕
	Pin # Wire A	Pin # Wire B	Pin # Wire A	Pin # Wire B



△ Pin Assignments Front View

UNIT:mm		TITLE	ACC, SEN, D Code, Y ADA W/ CB
TOLERANCE	±0.5mm	SIZE	A4
		SHEET	2 OF 2
		REV.	C
		WC-REV.	A.3
		QC	Inspection item

Amphenol LTW
 安費諾亮泰企業股份有限公司

ITEM NO	SD-XX0000-M00-YSBXX	DRAWN BY	Cary_liu	DATE	2013-06-01
DWG NO	△SD-XX0000-M00-YSBXX	CHECKED BY	Tom_gu	DATE	2013-06-01
CUSTOMER	ALTW	APPROVED BY	Victor	DATE	2013-06-01