

THIS DOCUMENT IS SUBJECT TO CHANGE WITHOUT NOTICE. IT IS CONFIDENTIAL AND A PROPERTY OF Amphenol LTW. DISCLOSURE TO THIRD PARTY HAS TO BE AUTHORIZED BY Amphenol LTW.

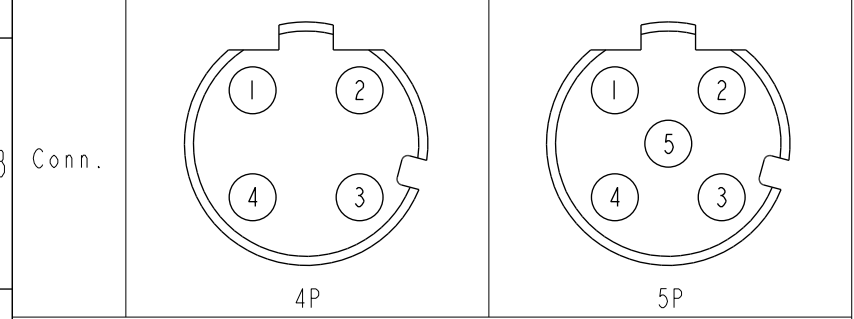
5P	5.0	22	SD-050000-F00-YSBXX
4P	4.8	22	SD-040000-F00-YSBXX
Contacts	Cable OD	AWG	Item No.

SD-XX0000-F00-YSBXX

△XX: No. Of Pin

XX: 01~99Meters
 01: 01Meter
 02: 02Meters
 ...
 99: 99Meters

Pin Out	4 Black 黑	4 Black 黑	5 Green 綠	5 Green 綠
	3 Blue 藍	3 Blue 藍	4 Black 黑	4 Black 黑
	2 White 白	2 White 白	3 Blue 藍	3 Blue 藍
	1 Brown 棕	1 Brown 棕	2 White 白	2 White 白
			1 Brown 棕	1 Brown 棕
	Pin # Wire A	Pin # Wire B	Pin # Wire A	Pin # Wire B



△ Pin Assignments Front View

UNIT:mm		TITLE
TOLERANCE	±0.5mm	ACC, SEN, D Code, Y ADA W/ CB F
SCALE	3:2	SIZE A4
REV.	C	SHEET 2 OF 2
		WC-REV. A.4
		QC: Inspection item

Amphenol LTW
 安費諾亮泰企業股份有限公司

ITEM NO	DRAWN BY	DATE
	Cary_liu	2013-05-25
DWG NO	CHECKED BY	DATE
△SD-XX0000-F00-YSBXX	Di_Lu	2013-05-25
CUSTOMER	APPROVED BY	DATE
ALTW	Victor	2013-05-25