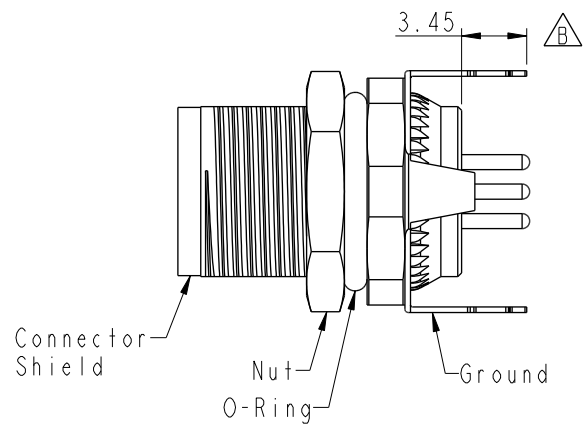
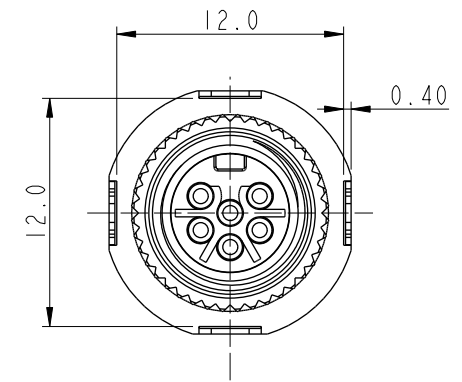
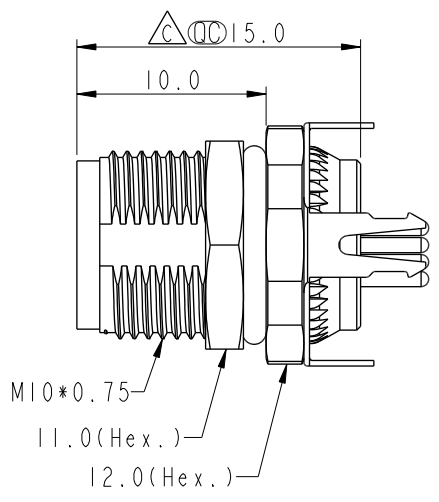
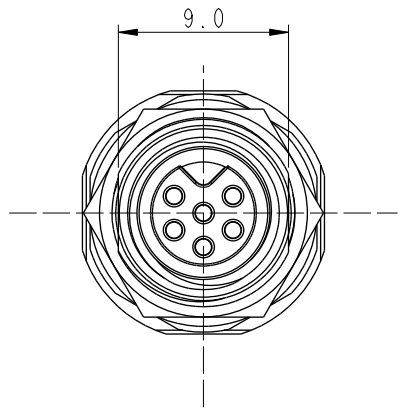
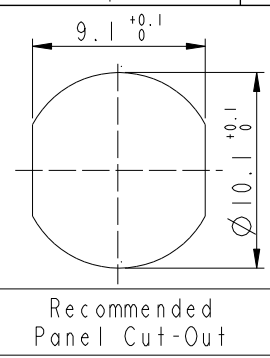


THIS DOCUMENT IS SUBJECT TO CHANGE WITHOUT NOTICE. IT IS CONFIDENTIAL AND A PROPERTY OF Amphenol LTW. DISCLOSURE TO THIRD PARTY HAS TO BE AUTHORIZED BY Amphenol LTW.

REV.	ECN NO.	DATE	SIGN	DESCRIPTION
B		2019/07/31	Ouyang	Change Drawing
C	C210686	2021/05/10	Vicky	$\triangle C$ X5
D	C221882	2022/12/19	Vicky	$\triangle D$ XI



- $\triangle$ Note:
- \* RoHS Compliant
  - \*  $\text{Ⓞ}$  Important dimension
  - $\triangle$ \* Waterproof rate: IP68, unmated 1m/24h
  - \* Connector
  - Housing: Thermoplastic, Black
  - Pin: Copper alloy, Gold plated
  - O-Ring: Rubber, Green
  - \* Shield: Metal
  - \* Ground: Metal
  - \* Nut: Metal
  - \* O-Ring: Rubber, Green
  - \* For panel thickness: 2.0~4.5mm
  - \* For pcb thickness max: 1.6mm
  - \* Nut is packed separately in pe bag

UNIT: mm		
TOLERANCE	.X	±0.25
	.XX	±0.1
	.XXX	±0.05
ANGLES		±1°

TITLE N SEN, M8W/KEY-SHLD, SCREW RECEPTACLE, F, F, PCB S			
SCALE	SIZE	SHEET	OF
1:1	A4	1	2
REV.	WC-REV.	$\text{Ⓞ}$ : Inspection item	
D	.0		

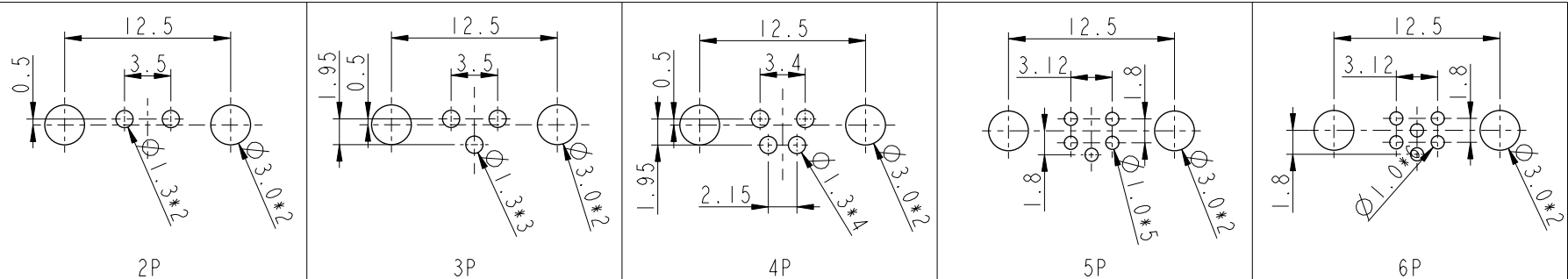
**Amphenol LTW**  
安費諾亮泰企業股份有限公司

ITEM NO.	DRAWN BY	DATE
	Ouyang	2019-07-31
DWG NO.	CHECKED BY	DATE
M8AS-XXPFFP-SF8001	Jerry	2019-07-31
CUSTOMER	APPROVED BY	DATE
ALTW	Fred	2019-07-31

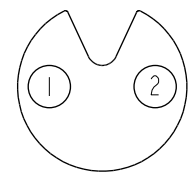
THIS DOCUMENT IS SUBJECT TO CHANGE WITHOUT NOTICE. IT IS CONFIDENTIAL AND A PROPERTY OF Amphenol LTW. DISCLOSURE TO THIRD PARTY HAS TO BE AUTHORIZED BY Amphenol LTW.

  
M8AS-XXPFFP-SF8001

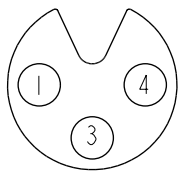
XX: No. Of Pin



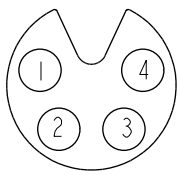
PCB Layout



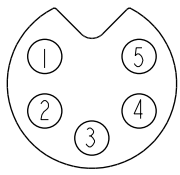
2P



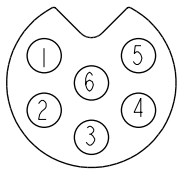
3P



4P





5P



6P

Pin Assignments Front View

UNIT: mm	
TOLERANCE	
.X	±0.25
.XX	±0.1
.XXX	±0.05
ANGLES	±1°

TITLE N SEN, M8W/KEY-SHLD, SCREW RECEPTACLE, F, F, PCB S					
SCALE	1:1	SIZE	A4	SHEET	2 OF 2
REV.	D	WC-REV.	.0	QC: Inspection item	

**Amphenol LTW**  
安費諾亮泰企業股份有限公司

ITEM NO	
DWG NO	M8AS-XXPFFP-SF8001
CUSTOMER	ALTW

DRAWN BY	Ouyang
CHECKED BY	Jerry
APPROVED BY	Fred

DATE	2019-07-31
DATE	2019-07-31
DATE	2019-07-31