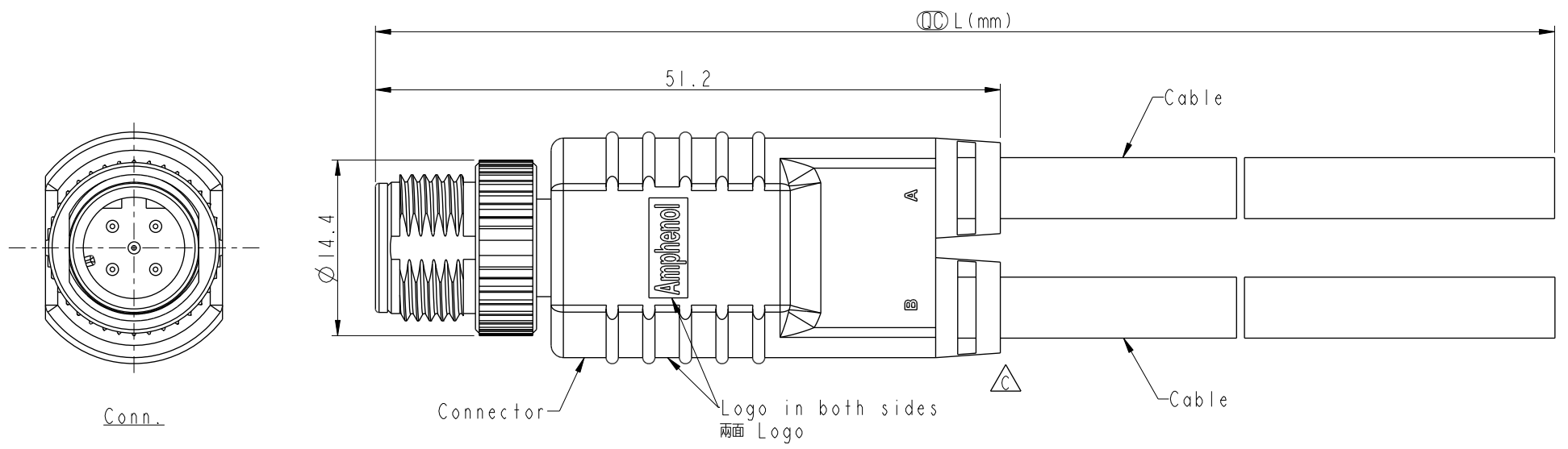


THIS DOCUMENT IS SUBJECT TO CHANGE WITHOUT NOTICE. IT IS CONFIDENTIAL AND A PROPERTY OF Amphenol LTW. DISCLOSURE TO THIRD PARTY HAS TO BE AUTHORIZED BY Amphenol LTW.

REV.	ECN NO.	DATE	SIGN	DESCRIPTION
B	LEN13B0135~38	2013/06/01	Cary	Change Logo From LTW To Amphenol
C	C230520	2023/04/25	Vicky	$\triangle C$ X9
D	C241128	2024/10/08	Vicky	$\triangle D$ XI



- $\triangle C$ Note:
- * RoHS Compliant
 - * CC Important dimension
 - $\triangle B \triangle D$ * Waterproof rate: IP68, mated 1m/24h
 - * Connector
 - Housing: Thermoplastic, Black
 - Pin: Copper alloy, Gold plated
 - Nut: Metal
 - Outer mold: Thermoplastic, Black
 - * Cable: Nonul, PU Jacket, Black
 - $\triangle B$ * Cable length tolerance: 1M: +50/-0 mm
- | | |
|----------------|------------|
| 1M < L ≤ 3M: | +100/-0 mm |
| 3M < L ≤ 5M: | +150/-0 mm |
| 5M < L ≤ 10M: | ±100 mm |
| 10M < L ≤ 20M: | ±200 mm |
| 20M < L ≤ 30M: | ±300 mm |
| 30M < L ≤ 99M: | ±500 mm |

UNIT:mm			TITLE ACC, SEN, D Code, Y ADA W/ CB M
TOLERANCE	±0.5mm		$\triangle C$
SCALE	2:1	SIZE	A4
REV.	D	WC-REV.	A.3
		SHEET	1 OF 2
		CC	Inspection item

Amphenol LTW
安費諾亮泰企業股份有限公司

ITEM NO	DRAWN BY	DATE
	Vicky	2024-10-08
DWG NO	CHECKED BY	DATE
$\triangle C$ SD-XX0000-M00-YSBXX	Rita	2024-10-08
CUSTOMER	APPROVED BY	DATE
ALTW	Fred	2024-10-08

THIS DOCUMENT IS SUBJECT TO CHANGE WITHOUT NOTICE. IT IS CONFIDENTIAL AND A PROPERTY OF Amphenol LTW. DISCLOSURE TO THIRD PARTY HAS TO BE AUTHORIZED BY Amphenol LTW.

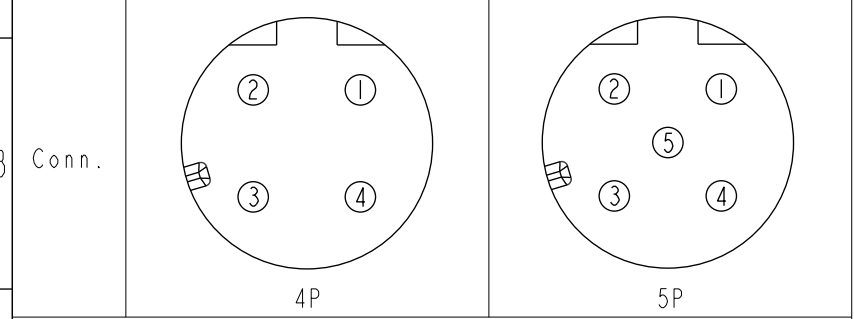
	5P	5.0	22	SD-050000-M00-YSBXX
	4P	4.8	22	SD-040000-M00-YSBXX
△	Contacts	Cable OD	AWG	Item No.

SD-XX0000-M00-YSBXX

△XX: No. Of Pin

XX: 01~99Meters
 01: 01Meter
 02: 02Meters
 :
 99: 99Meters

Pin Out	4 Black 黑	4 Black 黑	5 Green 綠	5 Green 綠
	3 Blue 藍	3 Blue 藍	4 Black 黑	4 Black 黑
	2 White 白	2 White 白	3 Blue 藍	3 Blue 藍
	1 Brown 棕	1 Brown 棕	2 White 白	2 White 白
			1 Brown 棕	1 Brown 棕
	Pin # Wire	Pin # Wire	Pin # Wire	Pin # Wire
	A	B	A	B



△ Pin Assignments Front View

UNIT:mm		TITLE
TOLERANCE	±0.5mm	ACC, SEN, D Code, Y ADA W/ CB M
SCALE	2:1	SIZE
REV.	D	A4
		SHEET
		2 OF 2
		WC-REV.
		A.3
		QC: Inspection item

Amphenol LTW
 安費諾亮泰企業股份有限公司

ITEM NO	DRAWN BY	DATE
	Vicky	2024-10-08
DWG NO	CHECKED BY	DATE
△SD-XX0000-M00-YSBXX	Rita	2024-10-08
CUSTOMER	APPROVED BY	DATE
ALTW	Fred	2024-10-08