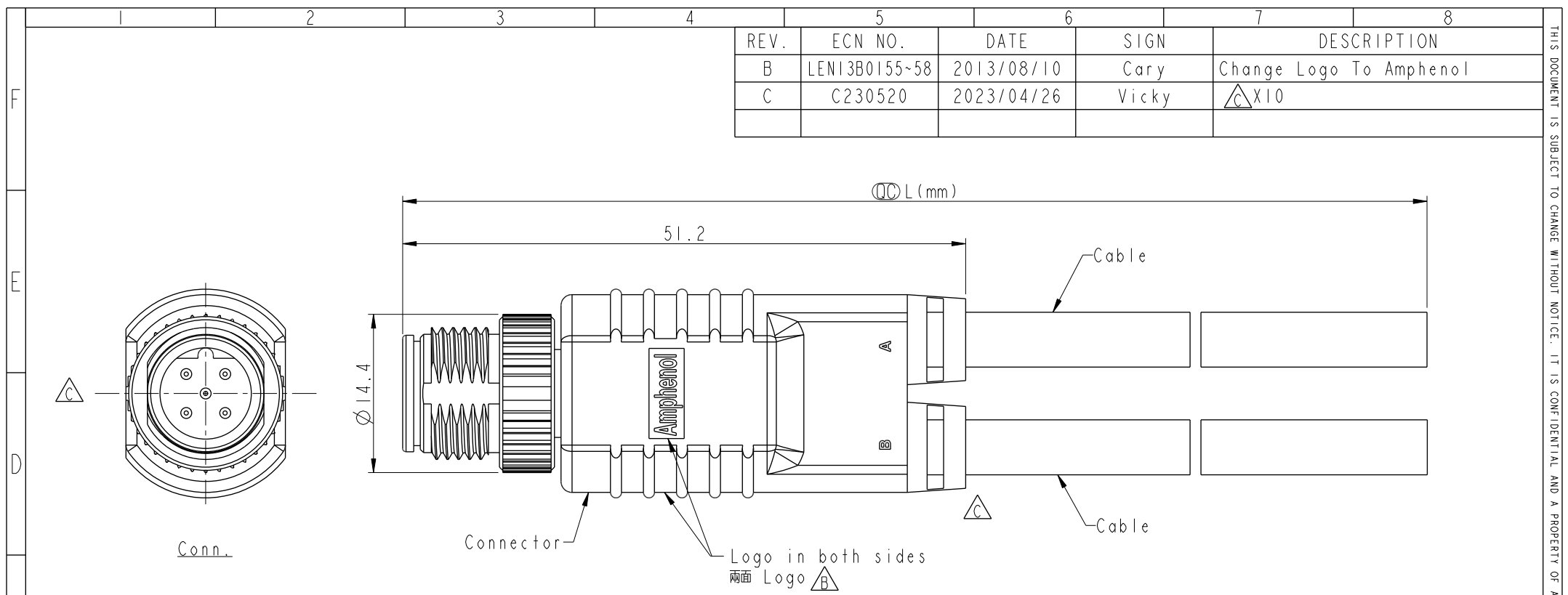


THIS DOCUMENT IS SUBJECT TO CHANGE WITHOUT NOTICE. IT IS CONFIDENTIAL AND A PROPERTY OF Amphenol LTW. DISCLOSURE TO THIRD PARTY HAS TO BE AUTHORIZED BY Amphenol LTW.

REV.	ECN NO.	DATE	SIGN	DESCRIPTION
B	LEN13B0155~58	2013/08/10	Cary	Change Logo To Amphenol
C	C230520	2023/04/26	Vicky	△C X10



- △C Note:
- \* RoHS Compliant
  - \* (C) Important dimension
  - △B \* Waterproof rate: IP68, unmated 1m/24h
  - \* Connector  
 Housing: Thermoplastic, Black  
 Pin: Copper alloy, Gold plated  
 Nut: Metal  
 Outer mold: Thermoplastic, Black
  - \* Cable: Nonul, PU Jacket, Black
  - △B \* Cable length tolerance: 1M: +50/-0 mm  
 1M < L ≤ 3M: +100/-0 mm  
 3M < L ≤ 5M: +150/-0 mm  
 5M < L ≤ 10M: ±100 mm  
 10M < L ≤ 20M: ±200 mm  
 20M < L ≤ 30M: ±300 mm  
 30M < L ≤ 99M: ±500 mm

UNIT:mm			TITLE ACC, SEN, B Code, Y ADA W/ CB M
TOLERANCE ±0.5mm	SCALE 2:1	SIZE A4	SHEET 1 OF 2
REV. C	WC-REV. A.2	△C Inspection item	

**Amphenol LTW**  
 安費諾亮泰企業股份有限公司

ITEM NO	DRAWN BY Cary_liu	DATE 2013-08-10
DWG NO △C SB-XX0000-M00-YSBXX	CHECKED BY Mafei	DATE 2013-08-10
CUSTOMER ALTW	APPROVED BY Victor	DATE 2013-08-10

THIS DOCUMENT IS SUBJECT TO CHANGE WITHOUT NOTICE. IT IS CONFIDENTIAL AND A PROPERTY OF Amphenol LTW. DISCLOSURE TO THIRD PARTY HAS TO BE AUTHORIZED BY Amphenol LTW.

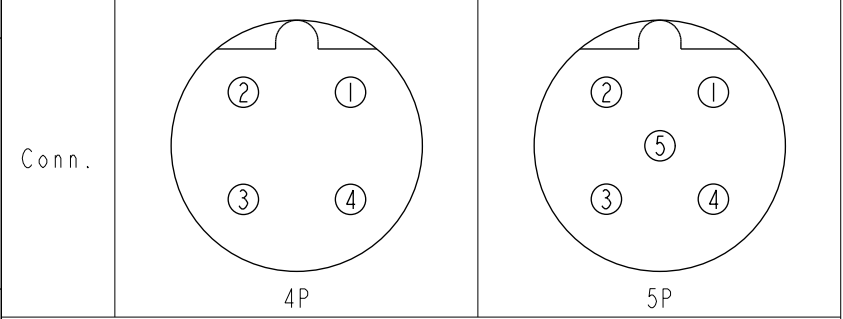
5P	5.0	22	SB-050000-M00-YSBXX
4P	4.8	22	SB-040000-M00-YSBXX
Contacts	Cable OD	AWG	Item No.

SB-XX0000-M00-YSBXX

△XX: No. Of Pin

XX: 01~99Meters  
 01: 01Meter  
 02: 02Meters  
 ...  
 99: 99Meters

Pin Out	4 Black 黑	4 Black 黑	5 Green 綠	5 Green 綠
	3 Blue 藍	3 Blue 藍	4 Black 黑	4 Black 黑
	2 White 白	2 White 白	3 Blue 藍	3 Blue 藍
	1 Brown 棕	1 Brown 棕	2 White 白	2 White 白
			1 Brown 棕	1 Brown 棕
	Pin # Wire A	Pin # Wire B	Pin # Wire A	Pin # Wire B



△ Pin Assignments Front View

UNIT:mm		TITLE
TOLERANCE	±0.5mm	ACC, SEN, B Code, Y ADA W/ CB M
SCALE	2:1	SIZE A4
REV.		SHEET 2 OF 2
	WC-REV. A.2	QC: Inspection item

**Amphenol LTW**  
 安費諾亮泰企業股份有限公司

ITEM NO	DRAWN BY	DATE
	Cary_liu	2013-08-10
DWG NO	CHECKED BY	DATE
△SB-XX0000-M00-YSBXX	Mafei	2013-08-10
CUSTOMER	APPROVED BY	DATE
ALTW	Victor	2013-08-10