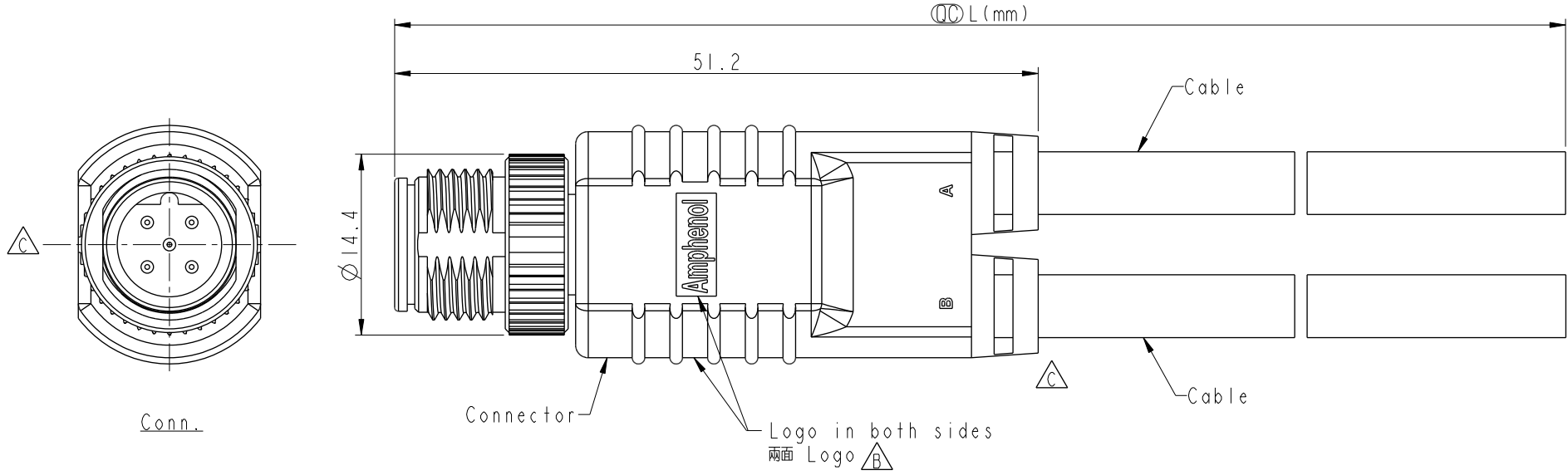


THIS DOCUMENT IS SUBJECT TO CHANGE WITHOUT NOTICE. IT IS CONFIDENTIAL AND A PROPERTY OF Amphenol LTW. DISCLOSURE TO THIRD PARTY HAS TO BE AUTHORIZED BY Amphenol LTW.

REV.	ECN NO.	DATE	SIGN	DESCRIPTION
B	LEN13B0155~58	2013/08/10	Cary	Change Logo To Amphenol
C	C230520	2023/04/26	Vicky	$\triangle C$ X10
D	C241128	2024/10/08	Vicky	$\triangle D$ XI



- $\triangle C$ Note:
- * RoHS Compliant
 - * $\text{\textcircled{C}}$ Important dimension
 - $\triangle B \triangle D$ * Waterproof rate: IP68, mated 1m/24h
 - * Connector
 Housing: Thermoplastic, Black
 Pin: Copper alloy, Gold plated
 Nut: Metal
 Outer mold: Thermoplastic, Black
 - * Cable: Nonul, PU Jacket, Black
 - $\triangle B$ * Cable length tolerance: 1M: +50/-0 mm
 1M < L ≤ 3M: +100/-0 mm
 3M < L ≤ 5M: +150/-0 mm
 5M < L ≤ 10M: ±100 mm
 10M < L ≤ 20M: ±200 mm
 20M < L ≤ 30M: ±300 mm
 30M < L ≤ 99M: ±500 mm

UNIT:mm		TITLE	ACC, SEN, B Code, Y ADA W/ CB M
TOLERANCE	±0.5mm	SCALE	2:1
		SIZE	A4
		SHEET	1 OF 2
		REV.	D
		WC-REV.	A.2
		$\text{\textcircled{C}}$	Inspection item

Amphenol LTW
 安費諾亮泰企業股份有限公司

ITEM NO	DRAWN BY	DATE
	Vicky	2024-10-08
DWG NO	CHECKED BY	DATE
$\triangle C$ SB-XX0000-M00-YSBXX	Rita	2024-10-08
CUSTOMER	APPROVED BY	DATE
ALTW	Fred	2024-10-08

THIS DOCUMENT IS SUBJECT TO CHANGE WITHOUT NOTICE. IT IS CONFIDENTIAL AND A PROPERTY OF Amphenol LTW. DISCLOSURE TO THIRD PARTY HAS TO BE AUTHORIZED BY Amphenol LTW.

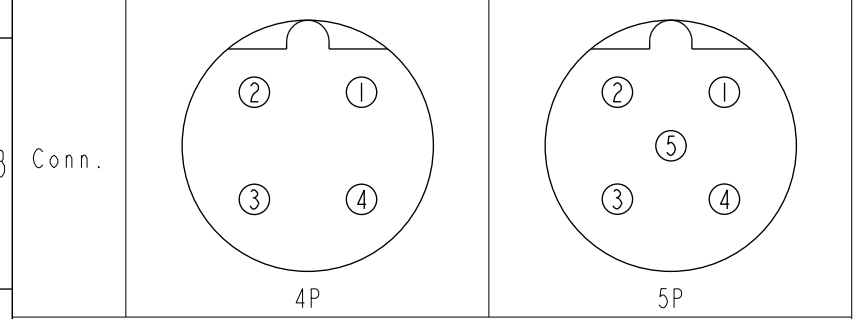
	5P	5.0	22	SB-050000-M00-YSBXX
	4P	4.8	22	SB-040000-M00-YSBXX
△	Contacts	Cable OD	AWG	Item No.

SB-XX0000-M00-YSBXX

△XX: No. Of Pin

XX: 01~99Meters
 01: 01Meter
 02: 02Meters
 ...
 99: 99Meters

Pin Out	4 Black 黑	4 Black 黑	5 Green 綠	5 Green 綠
	3 Blue 藍	3 Blue 藍	4 Black 黑	4 Black 黑
	2 White 白	2 White 白	3 Blue 藍	3 Blue 藍
	1 Brown 棕	1 Brown 棕	2 White 白	2 White 白
			1 Brown 棕	1 Brown 棕
	Pin # Wire A	Pin # Wire B	Pin # Wire A	Pin # Wire B



△ Pin Assignments Front View

UNIT:mm		TITLE	ACC, SEN, B Code, Y ADA W/ CB M
TOLERANCE	±0.5mm	SCALE	2:1
		SIZE	A4
		SHEET	2 OF 2
		REV.	D
		WC-REV.	A.2
		QC	Inspection item

Amphenol LTW
 安費諾亮泰企業股份有限公司

ITEM NO	DRAWN BY	DATE
	Vicky	2024-10-08
DWG NO	CHECKED BY	DATE
△ SB-XX0000-M00-YSBXX	Rita	2024-10-08
CUSTOMER	APPROVED BY	DATE
ALTW	Fred	2024-10-08