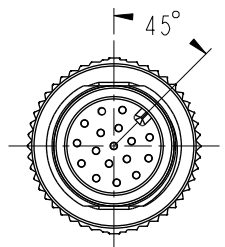
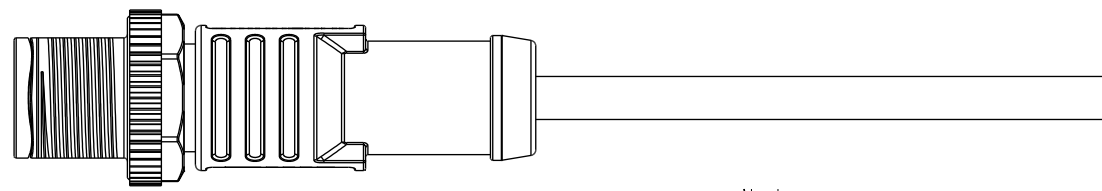
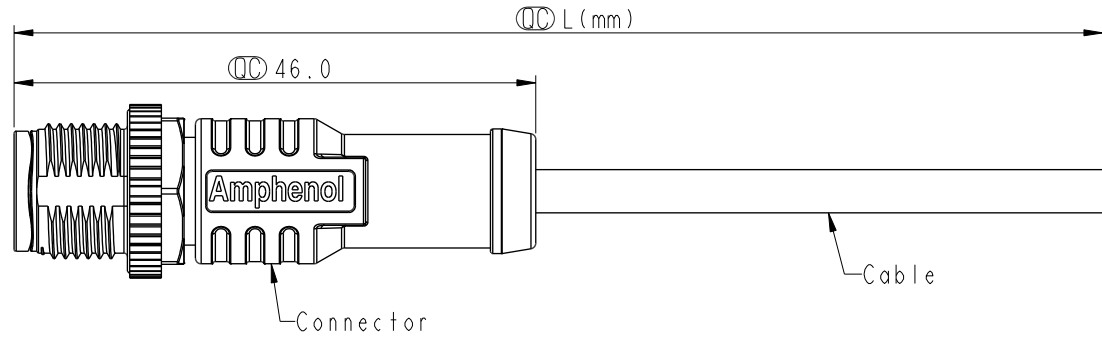


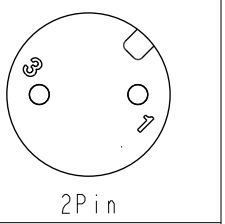
THIS DOCUMENT IS SUBJECT TO CHANGE WITHOUT NOTICE. IT IS CONFIDENTIAL AND A PROPERTY OF Amphenol LTW. DISCLOSURE TO THIRD PARTY HAS TO BE AUTHORIZED BY Amphenol LTW.

REV.	ECN NO.	DATE	SIGN	DESCRIPTION
A		2021-08-27	Allen Pan	Rev.02 To Rev.A
B	C221951	2022-12-16	Ruru	$\triangle B$ XI

M12A-XXBMMM-SL8CXX
 XX:No. Of Pin
 XX:01~15Meters
 01:01Meter
 02:02Meters
 :
 15:15Meters



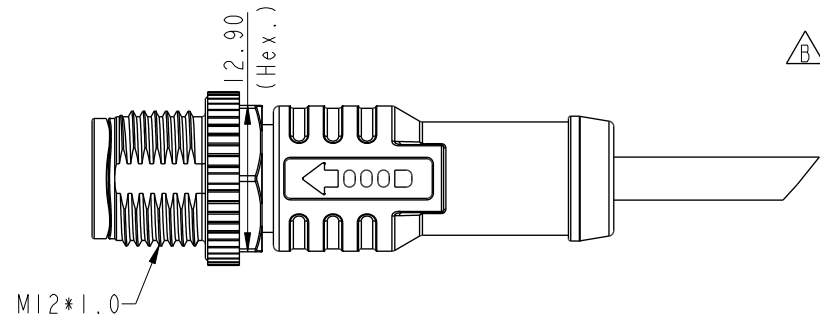
Conn.



3	White	白
1	Blue	藍
Pin#	Wire	

Pin Assignments Front View

- Note:
- * RoHS Compliant
 - * \varnothing Important dimension
 - $\triangle B$ * Waterproof rate: IP68, mated 1m/24h
IP69K, mated
 - * Connector
 Housing: Thermoplastic, Black
 Pin: Copper alloy, Gold plated
 Nut: Metal
 Outer mold: Thermoplastic, Black
 - * Cable: IEC61156-12, 26#*1P+AL/MY+B, OD=3.8mm, PUR Jacket, Green
 - * Cable length tolerance: 1M: +50/-0 mm
 1M < L ≤ 3M: +100/-0 mm
 3M < L ≤ 5M: +150/-0 mm
 5M < L ≤ 10M: ±100 mm
 10M < L ≤ 15M: ±200 mm



UNIT:mm

TOLERANCE

±0.5mm

TITLE N SEN, M12 A, SCREW CABLE W/O SR, M, M, MOLDING			
SCALE 3:2	SIZE A4	SHEET 1 OF 1	
REV. B	WC-REV. A.3	\varnothing : Inspection item	

Amphenol LTW
 安費諾亮泰企業股份有限公司

ITEM NO	DRAWN BY Allen Pan	DATE 2021-08-27
DWG NO M12A-XXBMMM-SL8CXX	CHECKED BY Sam Ho	DATE 2021-08-27
CUSTOMER ALTW	APPROVED BY Fred Lee	DATE 2021-08-27