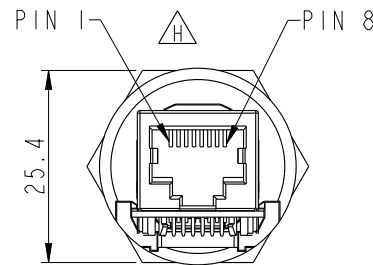
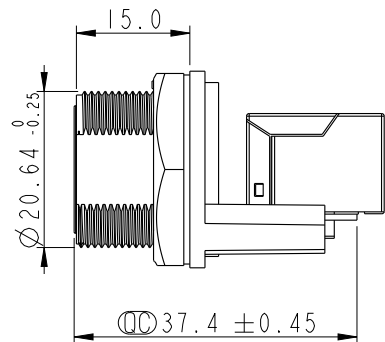
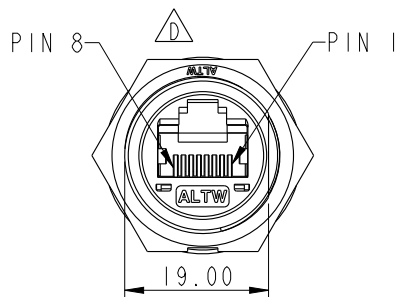
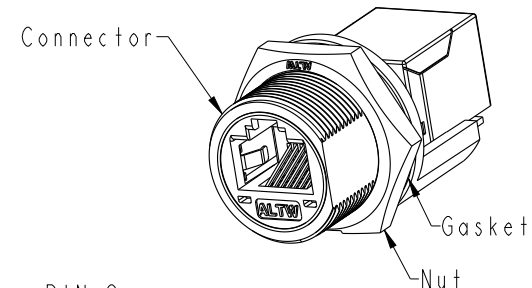
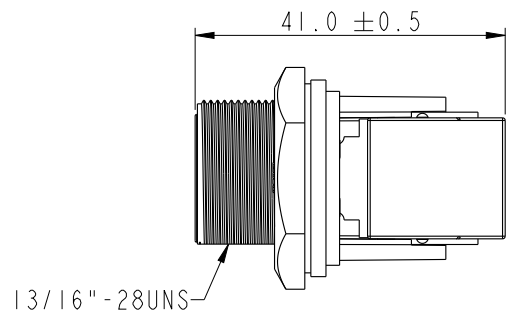
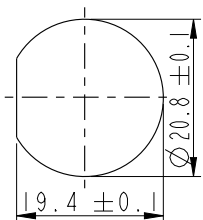


REV.	ECN NO.	DATE	SIGN	DESCRIPTION
F	C190405	2019/03/14	Ruru	Modify Note
G	C220799	2022/05/24	Vicky	$\triangle G$ *2
H	C230011	2023/01/06	Zhi Cheng	$\triangle H$ *2



- $\triangle H$ $\triangle F$ $\triangle G$ Note:
- * RoHS Compliant
 - * $\text{\textcircled{C}}$ Important dimension
 - * Waterproof rate: IP67, mated
 - * Connector Housing: Thermoplastic, Black, RJ45 jack, shielded
 - * Nut: Thermoplastic, Black
 - * Gasket: Rubber, Gray
 - * Use with waterproof cap or dust cap
 - * Panel thickness max: 3.0mm
 - * Use without waterproof cap or dust cap
 - * Panel thickness max: 4.2mm
 - * Gasket and nut are packed separately in pe bag



Recommended Panel Cut-Out

UNIT: mm		TITLE		$\triangle G$ Amphenol LTW 安費諾亮泰企業股份有限公司	ITEM NO	RCP-5SPFFH-SCM7001	DRAWN BY	Ruru	DATE	2019-03-14	
		RJ, C PLASTIC, C5E SHLD FRONT FASTENED, F, PNL JACK S, SCREW			DWG NO	RCP-5SPFFH-SCM7001	CHECKED BY	Rita	DATE	2019-03-14	
		SCALE	1:1		SIZE	A4	SHEET	1	OF	1	
		REV.	H		WC-REV.	C.4	$\text{\textcircled{C}}$	Inspection item	CUSTOMER	ALTW	APPROVED BY

THIS DOCUMENT IS SUBJECT TO CHANGE WITHOUT NOTICE. IT IS CONFIDENTIAL AND A PROPERTY OF AMPHENOL LTW. DISCLOSURE TO THIRD PARTY HAS TO BE AUTHORIZED BY AMPHENOL LTW.