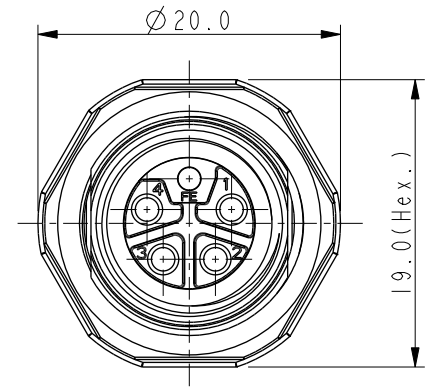
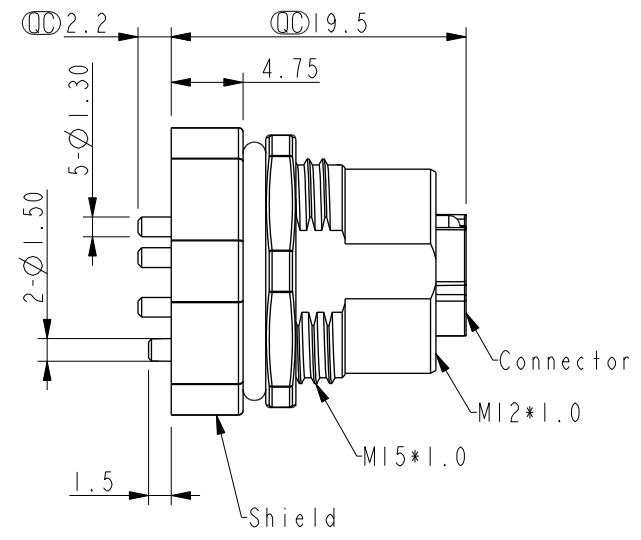
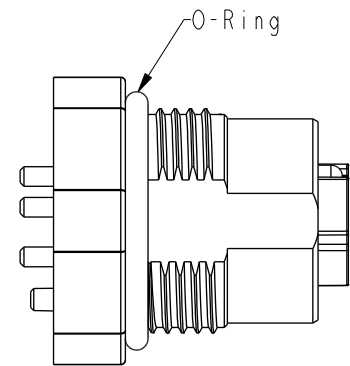
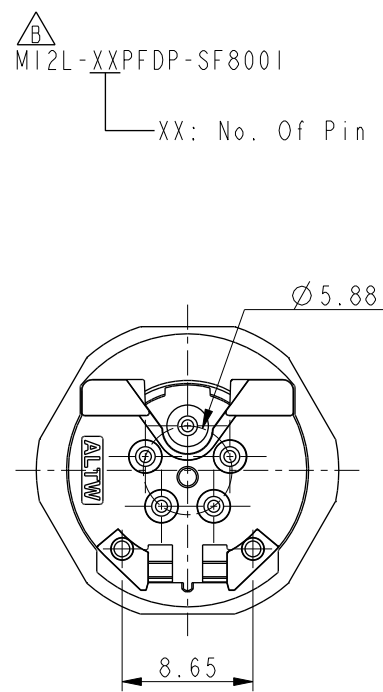
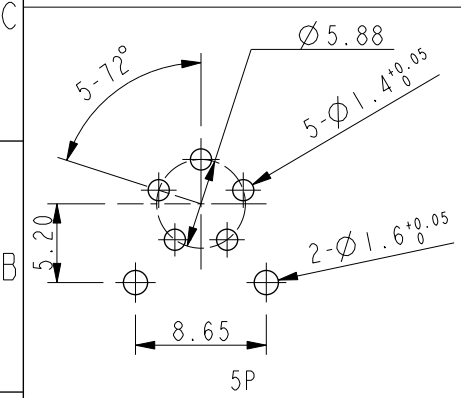
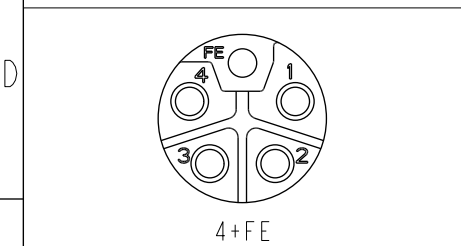
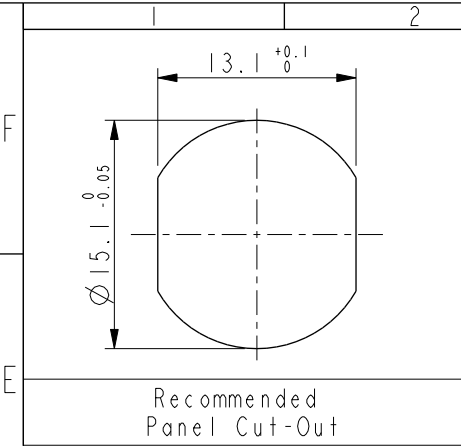


THIS DOCUMENT IS SUBJECT TO CHANGE WITHOUT NOTICE. IT IS CONFIDENTIAL AND A PROPERTY OF Amphenol LTW. DISCLOSURE TO THIRD PARTY HAS TO BE AUTHORIZED BY Amphenol LTW.

| REV. | ECN NO. | DATE | SIGN | DESCRIPTION |
|------|---------|------------|-----------|------------------|
| C | C221890 | 2022/12/28 | Vicky | $\triangle C$ XI |
| D | C230021 | 2023/03/03 | Allen Pan | $\triangle D$ X2 |
| E | C231037 | 2023/08/08 | Vicky | $\triangle E$ XI |



- $\triangle B$ Note:
- * RoHS Compliant
 - * ⌀ Important dimension
 - * $\triangle C$ Waterproof rate: IP68, unmated 1m/24h
 $\triangle E$ IP69K, mated
 - * Connector
Housing: Thermoplastic, Black
Pin: Copper alloy, Gold plated
 - $\triangle D$ O-Ring1: Rubber, Gray
 - $\triangle D$ O-Ring2: Rubber, Gray
 - * Shield: Metal
 - * Nut: Metal
 - * O-Ring: Rubber, Gray
 - * For panel thickness max: 4.0mm
 - * For pcb thickness max: 1.6mm
 - * Nut is packed separately in pe bag

UNIT: mm

| | |
|-----------|---------------|
| TOLERANCE | |
| .X | ± 0.25 |
| .XX | ± 0.1 |
| .XXX | ± 0.05 |
| ANGLES | $\pm 1^\circ$ |

| | | | |
|--|---------|------------------------------|----|
| TITLE N SEN, MI2 L, SCREW RECEPTACLE, F, F PWR+M GND, PCB S | | | |
| SCALE | SIZE | SHEET | OF |
| 2:1 | A4 | 1 | 1 |
| REV. | WC-REV. | ⌀ : Inspection item | |
| E | | | |

Amphenol LTW
安費諾亮泰企業股份有限公司

| | | |
|--------------------|-------------|------------|
| ITEM NO. | DRAWN BY | DATE |
| | Allen Pan | 2020-11-20 |
| DWG NO. | CHECKED BY | DATE |
| MI2L-XXPFDP-SF8001 | Sam Ho | 2020-11-20 |
| CUSTOMER | APPROVED BY | DATE |
| ALTW | Fred Lee | 2020-11-20 |