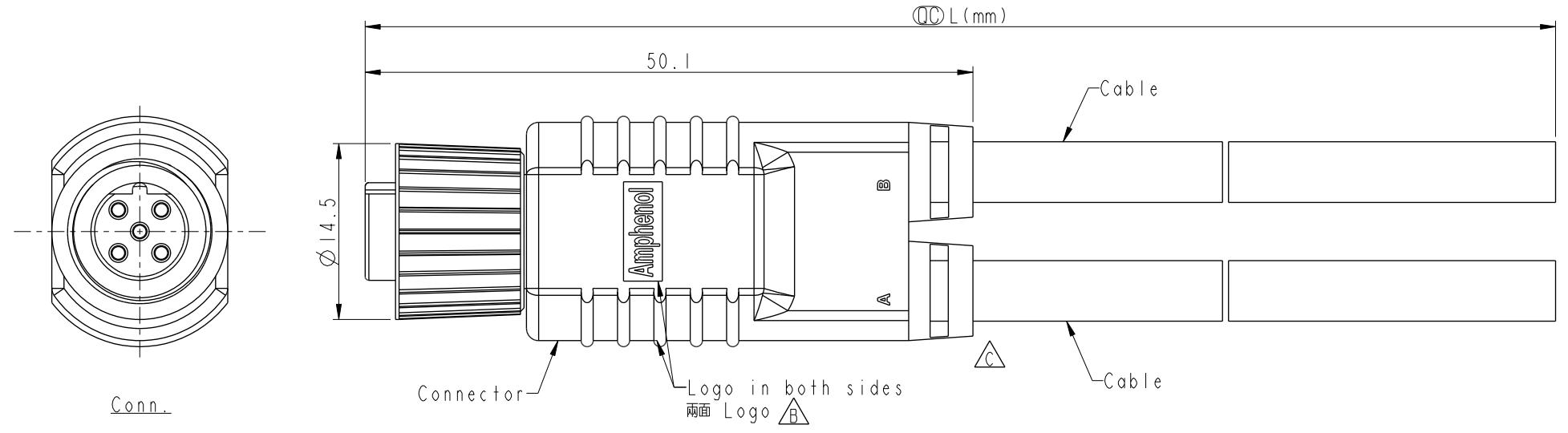


THIS DOCUMENT IS SUBJECT TO CHANGE WITHOUT NOTICE. IT IS CONFIDENTIAL AND A PROPERTY OF AMPHENOL LTW. DISCLOSURE TO THIRD PARTY HAS TO BE AUTHORIZED BY AMPHENOL LTW.

REV.	ECN NO.	DATE	SIGN	DESCRIPTION
B	LEN13B0150~53	2013/09/03	Cary	Change Logo From LTW To Amphenol
C	C230520	2023/04/25	Vicky	△C X9
D	C241128	2024/10/08	Vicky	△D XI



- △C Note:
- * RoHS Compliant
 - * Ⓞ Important dimension
 - △B △D * Waterproof rate: IP68, mated 1m/24h
 - * Connector
 - Housing: Thermoplastic, Black
 - Pin: Copper alloy, Gold plated
 - O-Ring: Rubber, Green
 - Nut: Metal
 - Outer mold: Thermoplastic, Black
 - * Cable: Nonul, PU Jacket, Black
 - △B * Cable length tolerance: 1M: +50/-0 mm
 - 1M < L ≤ 3M: +100/-0 mm
 - 3M < L ≤ 5M: +150/-0 mm
 - 5M < L ≤ 10M: ±100 mm
 - 10M < L ≤ 20M: ±200 mm
 - 20M < L ≤ 30M: ±300 mm
 - 30M < L ≤ 99M: ±500 mm

UNIT:mm			TITLE ACC, SEN, B Code, Y ADA W/ CB F
TOLERANCE ±0.5mm	SCALE 2:1	SIZE A4	SHEET 1 OF 2
REV. D	WC-REV. A.4	Ⓞ: Inspection item	

Amphenol LTW
安費諾亮泰企業股份有限公司

ITEM NO	DRAWN BY Vicky	DATE 2024-10-08
DWG NO △C SB-XX0000-F00-YSBXX	CHECKED BY Rita	DATE 2024-10-08
CUSTOMER ALTW	APPROVED BY Fred	DATE 2024-10-08

THIS DOCUMENT IS SUBJECT TO CHANGE WITHOUT NOTICE. IT IS CONFIDENTIAL AND A PROPERTY OF Amphenol LTW. DISCLOSURE TO THIRD PARTY HAS TO BE AUTHORIZED BY Amphenol LTW.

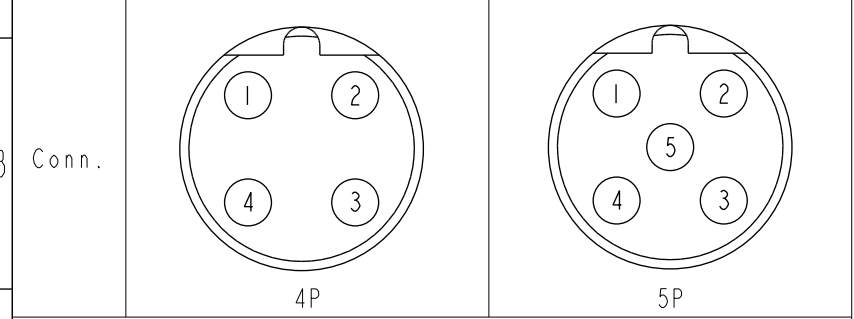
	5P	5.0	22	SB-050000-F00-YSBXX
	4P	4.8	22	SB-040000-F00-YSBXX
△	Contacts	Cable OD	AWG	Item No.

SB-XX0000-F00-YSBXX

△XX: No. Of Pin

XX:01~99Meters
 01:01Meter
 02:02Meters
 :
 99:99Meters

Pin Out	4 Black 黑	4 Black 黑	5 Green 綠	5 Green 綠
	3 Blue 藍	3 Blue 藍	4 Black 黑	4 Black 黑
	2 White 白	2 White 白	3 Blue 藍	3 Blue 藍
	1 Brown 棕	1 Brown 棕	2 White 白	2 White 白
			1 Brown 棕	1 Brown 棕
	Pin # Wire A	Pin # Wire B	Pin # Wire A	Pin # Wire B



△ Pin Assignments Front View

UNIT:mm		TITLE	ACC, SEN, B Code, Y ADA W/ CB
TOLERANCE	±0.5mm	SIZE	A4
SCALE	2:1	SHEET	2 OF 2
REV.	D	WC-REV.	A.4
		QC	Inspection item

Amphenol LTW
 安費諾亮泰企業股份有限公司

ITEM NO	DRAWN BY	DATE
	Vicky	2024-10-08
DWG NO	CHECKED BY	DATE
△SB-XX0000-F00-YSBXX	Rita	2024-10-08
CUSTOMER	APPROVED BY	DATE
ALTW	Fred	2024-10-08