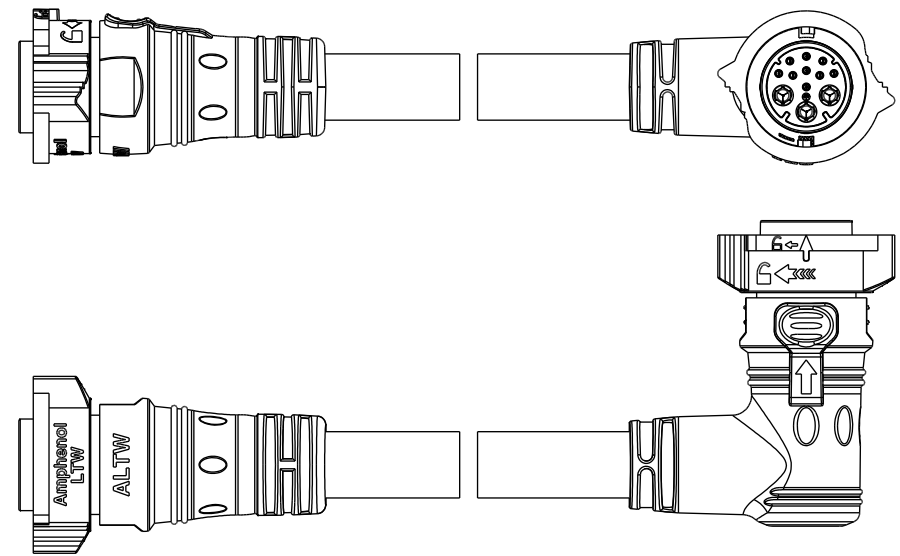
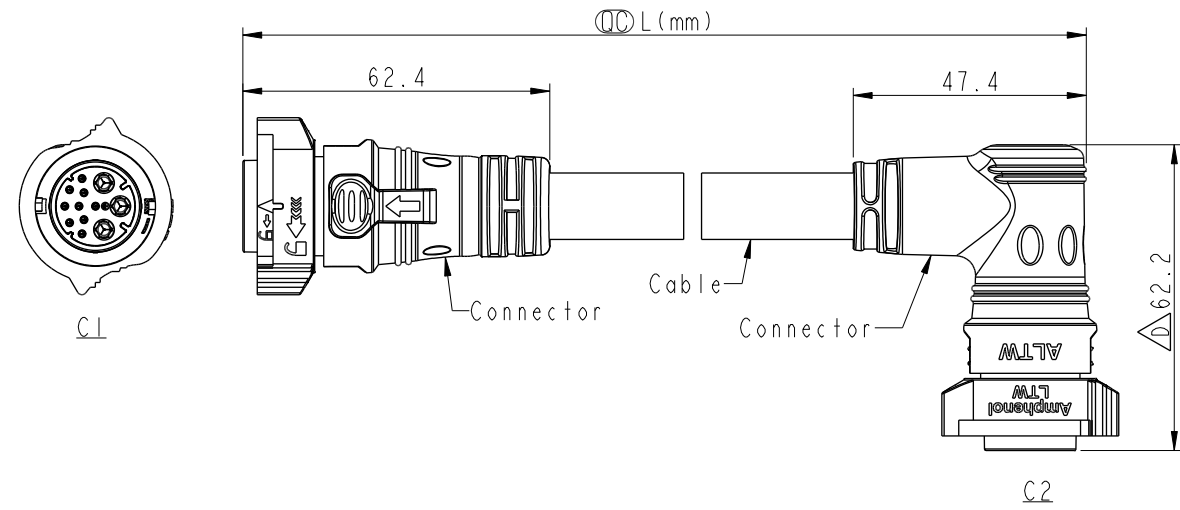


THIS DOCUMENT IS SUBJECT TO CHANGE WITHOUT NOTICE. IT IS CONFIDENTIAL AND A PROPERTY OF Amphenol LTW. DISCLOSURE TO THIRD PARTY HAS TO BE AUTHORIZED BY Amphenol LTW.

REV.	ECN NO.	DATE	SIGN	DESCRIPTION
B	C220643	2022/05/03	Ruru	△B X2
C	C230175	2023/02/10	Vicky	△C X2
D	C231269	2023/09/27	Ruru	△D XI



- Note: △
- \* RoHS Compliant
  - \* Ⓞ Important dimension
  - \* C1
  - △ Waterprooff rate: IP68, mated 1m/24h  
 Housing: Thermoplastic, Black  
 Pin: Copper Alloy, Gold Plated  
 O-Ring: Rubber, Dark Gray  
 Nut: Thermoplastic, Black  
 Outer mold: Thermoplastic, Black
  - \* C2
  - △ Waterprooff rate: IP68, mated 1m/24h  
 Housing: Thermoplastic, Black  
 Pin: Copper Alloy, Gold Plated  
 O-Ring: Rubber, Dark Gray  
 Nut: Thermoplastic, Black  
 Outer mold: Thermoplastic, Black
  - \* Cable: UL21996, (26#\*4P+D+AL)+12#\*3C+AL,  
 OD=13.5mm, PVC Jacket, Black
  - \* Cable length tolerance: 0.5M < L ≤ 1M: +60/-0 mm  
 1M < L ≤ 3M: +120/-0 mm  
 3M < L ≤ 5M: +160/-0 mm  
 5M < L ≤ 10M: ±100 mm  
 10M < L ≤ 20M: ±200 mm  
 20M < L ≤ 30M: ±300 mm  
 30M < L ≤ 99M: ±500 mm

UNIT:mm		
TOLERANCE	±0.5 mm	

TITLE ACC, XLOK, D-20A+5A, DB-ENDED FF		
SCALE 1:2	SIZE A4	SHEET 1 OF 2
REV. D	WC-REV.	Ⓞ: Inspection item

**Amphenol LTW**  
安費諾亮泰企業股份有限公司

ITEM NO	DRAWN BY Ruru	DATE 2020-01-21
DWG NO AB-DCDXXBL-DCDBR-QFXXX	CHECKED BY Rita	DATE 2020-01-21
CUSTOMER ALTW	APPROVED BY Max	DATE 2020-01-21

1 2 3 4 5 6 7 8

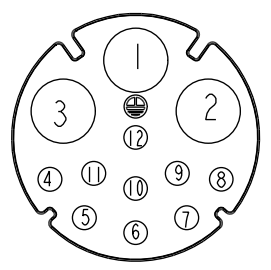
F  
E  
D  
C  
B  
A

AB- DCD XX B L - DCD B R - Q F XXX

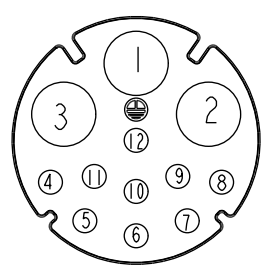


XX: No. Of Pin

XXX: 0.5~99Meters  
 A05: 0.5 Meter  
 001: 01 Meter  
 002: 02 Meters  
 :  
 099: 99 Meters



C1  
Pin Assignments  
Front View



C2  
Pin Assignments  
Front View

12	Drain (26AWG)	地線
11	Gray (26AWG)	灰
10	Yellow (26AWG)	黃
9	Orange (26AWG)	橘
8	Violet (26AWG)	紫
7	Blue (26AWG)	藍
6	Red (26AWG)	紅
5	Green (26AWG)	綠
4	White (26AWG)	白
3	Black (12AWG)	黑
2	White (12AWG)	白
1	Green (12AWG)	綠
Conn.	Wire Color	
Pin Out		

Twist  
對線  
Twist  
對線  
Twist  
對線  
Twist  
對線

UNIT:mm TOLERANCE ± 0.5 mm

TITLE ACC, XLOK, D-20A+5A, DB-ENDED FF  
 SCALE 1:2 SIZE A4 SHEET 2 OF 2  
 REV. D WC-REV. Inspection item

**Amphenol LTW**  
 安費諾亮泰企業股份有限公司

ITEM NO	DRAWN BY Ruru	DATE 2020-01-21
DWG NO AB-DCDXXBL-DCDBR-QFXXX	CHECKED BY Rita	DATE 2020-01-21
CUSTOMER ALTW	APPROVED BY Max	DATE 2020-01-21

1 2 3 4 5 6 7 8 W10814-03-001A2