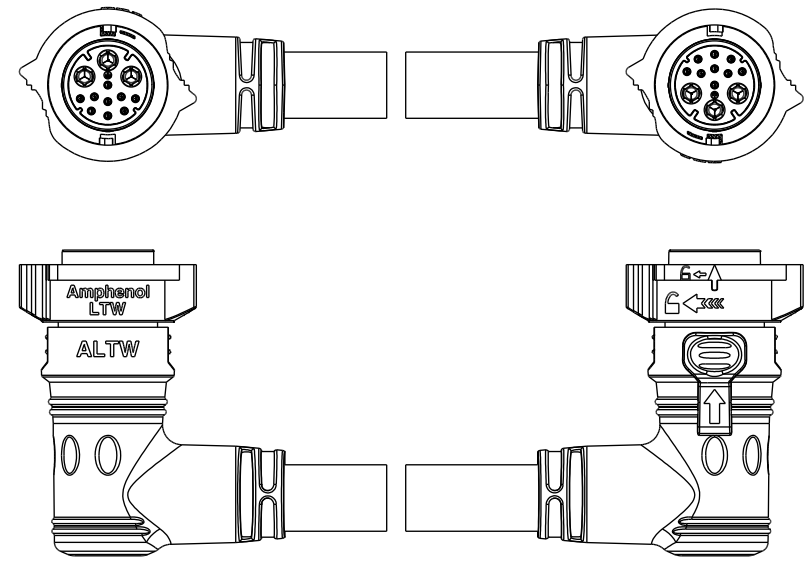
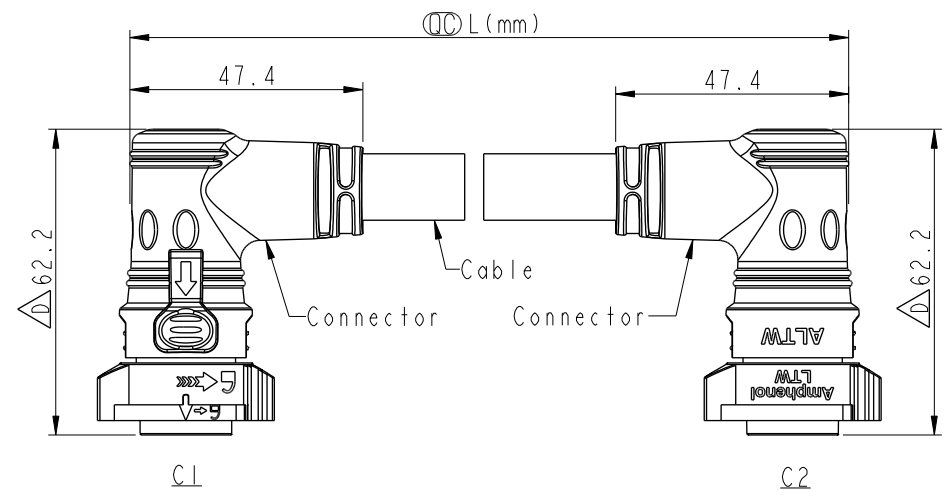


THIS DOCUMENT IS SUBJECT TO CHANGE WITHOUT NOTICE. IT IS CONFIDENTIAL AND A PROPERTY OF Amphenol LTW. DISCLOSURE TO THIRD PARTY HAS TO BE AUTHORIZED BY Amphenol LTW.

REV.	ECN NO.	DATE	SIGN	DESCRIPTION
B	C220643	2022/05/03	Ruru	$\triangle B$ X2
C	C230175	2023/02/10	Vicky	$\triangle C$ X1
D	C231269	2023/09/27	Ruru	$\triangle D$ X2



- Note:  $\triangle A$
- \* RoHS Compliant
  - \*  $\odot$  Important dimension
  - $\triangle C$  \* Waterproof rate: IP68, mated 1m/24h
  - \* Connector
    - Housing: Thermoplastic, Black
    - Pin: Copper Alloy, Gold Plated
    - O-Ring: Rubber, Dark Gray
    - Nut: Thermoplastic, Black
    - Outer mold: Thermoplastic, Black
  - \* Cable: UL21996, (26#\*4P+D+AL)+12#\*3C+AL, OD=13.5mm, PVC Jacket, Black
  - \* Cable length tolerance:
    - 0.5M < L ≤ 1M: +60/-0 mm
    - 1M < L ≤ 3M: +120/-0 mm
    - 3M < L ≤ 5M: +160/-0 mm
    - 5M < L ≤ 10M: ±100 mm
    - 10M < L ≤ 20M: ±200 mm
    - 20M < L ≤ 30M: ±300 mm
    - 30M < L ≤ 99M: ±500 mm

UNIT:mm	$\odot$	$\nabla$	TITLE ACC, XLOK, D-20A+5A, DB-ENDED FF
TOLERANCE	$\pm 0.5$ mm	SCALE 1:2	SIZE A4
		REV. D	WC-REV.
			$\odot$ : Inspection item

**Amphenol LTW**  
安費諾亮泰企業股份有限公司

ITEM NO.	DRAWN BY Ruru	DATE 2020-01-21
DWG NO. AB-DCDXXBR-DCDBR-QFXXX	CHECKED BY Rita	DATE 2020-01-21
CUSTOMER ALTW	APPROVED BY Max	DATE 2020-01-21

1 2 3 4 5 6 7 8

F

E

D

C

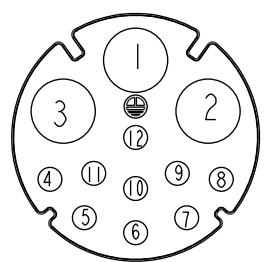
B

A

AB- DCD XX B R - DCD B R - Q F XXX

△  
XX: No. Of Pin (Pin數)

XXX: 0.5~99Meters  
 A05: 0.5 Meter  
 001: 01 Meter  
 002: 02 Meters  
 :  
 099: 99 Meters



C1 & C2  
Pin Assignments  
Front View

12	Drain (26AWG)	地線	
11	Gray (26AWG)	灰	Twist 對線
10	Yellow (26AWG)	黃	
9	Orange (26AWG)	橘	Twist 對線
8	Violet (26AWG)	紫	
7	Blue (26AWG)	藍	Twist 對線
6	Red (26AWG)	紅	
5	Green (26AWG)	綠	Twist 對線
4	White (26AWG)	白	
3	Black (12AWG)	黑	
2	White (12AWG)	白	
1	Green (12AWG)	綠	
Conn.	Wire Color		
Pin Out			

UNIT:mm

TOLERANCE  
± 0.5 mm

TITLE  
ACC, XLOK, D-20A+5A, DB-ENDED  
FF

SCALE 1:2 SIZE A4 SHEET 2 OF 2

REV. D WC-REV. Inspection item

Amphenol LTW

安費諾亮泰企業股份有限公司

ITEM NO	DRAWN BY Ruru	DATE 2020-01-21
DWG NO AB-DCDXXBR-DCDBR-QFXXX	CHECKED BY Rita	DATE 2020-01-21
CUSTOMER ALTW	APPROVED BY Max	DATE 2020-01-21

1 2 3 4 5 6 7 8 W10814-03-001A2