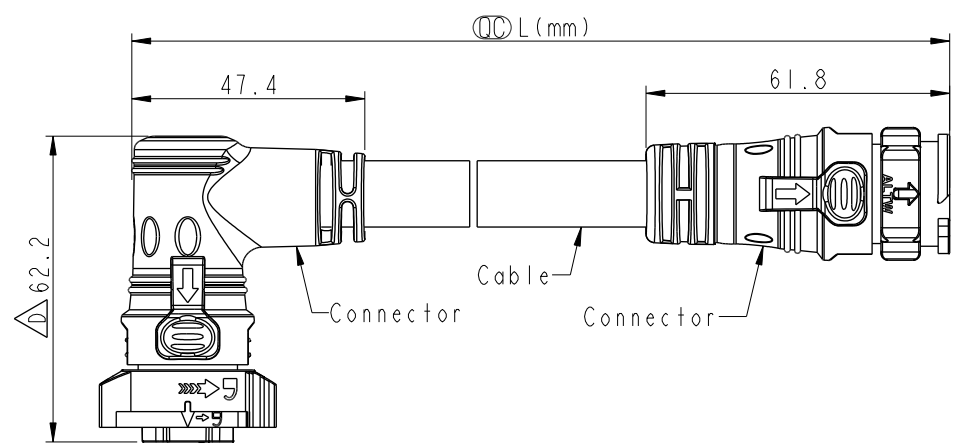
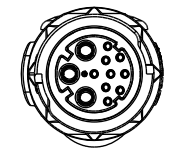


THIS DOCUMENT IS SUBJECT TO CHANGE WITHOUT NOTICE. IT IS CONFIDENTIAL AND A PROPERTY OF AMPHENOL LTW. DISCLOSURE TO THIRD PARTY HAS TO BE AUTHORIZED BY AMPHENOL LTW.

REV.	ECN NO.	DATE	SIGN	DESCRIPTION
B	C220643	2022/05/04	Ruru	$\triangle B$ X2
C	C230175	2023/02/10	Vicky	$\triangle C$ X2
D	C231269	2023/09/27	Ruru	$\triangle D$ X1



C1



C2

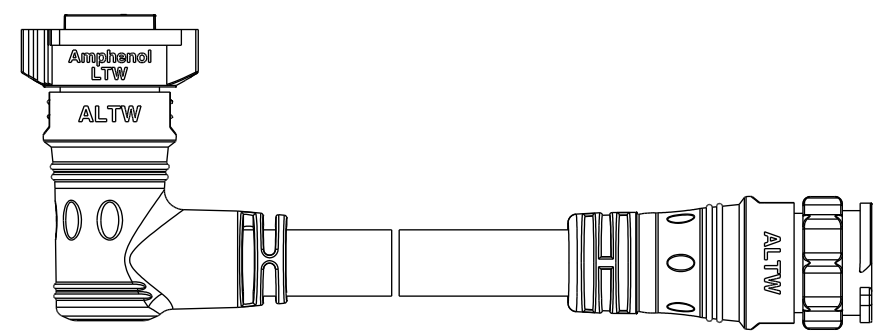
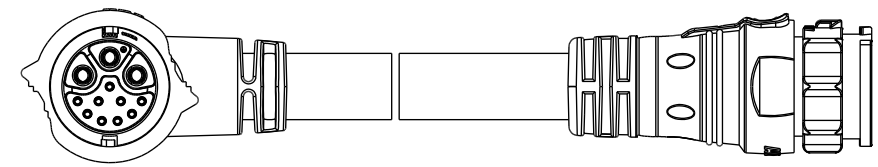
Note: $\triangle B$

- * RoHS Compliant
- * $\circ L$ Important dimension
- * C1

$\triangle C$ Waterproof rate: IP68, mated 1m/24h
Housing: Thermoplastic, Black
Pin: Copper Alloy, Gold Plated
O-Ring: Rubber, Dark Gray
Nut: Thermoplastic, Black
Outer mold: Thermoplastic, Black

* C2
 $\triangle C$ Waterproof rate: IP68, mated 1m/24h
Housing: Thermoplastic, Black
Pin: Copper Alloy, Gold Plated
Outer mold: Thermoplastic, Black

- * Cable: UL21996, (26#*4P+D+AL)+12#*3C+AL, OD=13.5mm, PVC Jacket, Black
- * Cable length tolerance: 0.5M < L ≤ 1M: +60/-0 mm
1M < L ≤ 3M: +120/-0 mm
3M < L ≤ 5M: +160/-0 mm
5M < L ≤ 10M: ±100 mm
10M < L ≤ 20M: ±200 mm
20M < L ≤ 30M: ±300 mm
30M < L ≤ 99M: ±500 mm



UNIT: mm		
TOLERANCE	±0.5 mm	

TITLE ACC, XLOK, D-20A+5A, DB-ENDED FM		
SCALE 1:2	SIZE A4	SHEET 1 OF 2
REV. D	WC-REV.	$\circ L$: Inspection item

Amphenol LTW
安費諾亮泰企業股份有限公司

ITEM NO.	DRAWN BY Ruru	DATE 2020-01-21
DWG NO. AB-DCDXXFR-DCDHL-QFXXX	CHECKED BY Rita	DATE 2020-01-21
CUSTOMER ALTW	APPROVED BY Max	DATE 2020-01-21

1 2 3 4 5 6 7 8

F

E

D

C

B

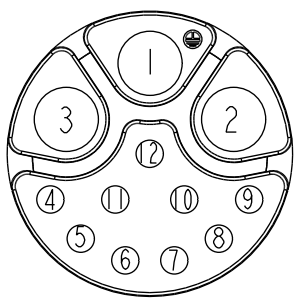
A

AB- DCD XX F R - DCD H L - Q F XXX

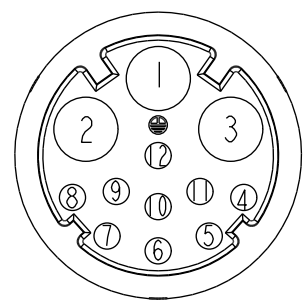


XX: No. Of Pin

XXX: 0.5~99Meters
 A05: 0.5 Meter
 001: 01 Meter
 002: 02 Meters
 :
 099: 99 Meters



C1
Pin Assignments
Front View



C2
Pin Assignments
Front View

12	Drain (26AWG)	地線
11	Gray (26AWG)	灰
10	Yellow (26AWG)	黃
9	Orange (26AWG)	橘
8	Violet (26AWG)	紫
7	Blue (26AWG)	藍
6	Red (26AWG)	紅
5	Green (26AWG)	綠
4	White (26AWG)	白
3	Black (12AWG)	黑
2	White (12AWG)	白
1	Green (12AWG)	綠
Conn.	Wire Color	
Pin Out		

Twist
對線
Twist
對線
Twist
對線
Twist
對線

UNIT:mm
 TOLERANCE
 ± 0.5 mm

TITLE ACC, XLOK, D-20A+5A, DB-ENDED FM
 SCALE 1:2 SIZE A4 SHEET 2 OF 2
 REV. D WC-REV. Inspection item

Amphenol LTW
 安費諾亮泰企業股份有限公司

ITEM NO	DRAWN BY Ruru	DATE 2020-01-21
DWG NO AB-DCDXXFR-DCDHL-QFXXX	CHECKED BY Rita	DATE 2020-01-21
CUSTOMER ALTW	APPROVED BY Max	DATE 2020-01-21

1 2 3 4 5 6 7 8 W10814-03-001A2