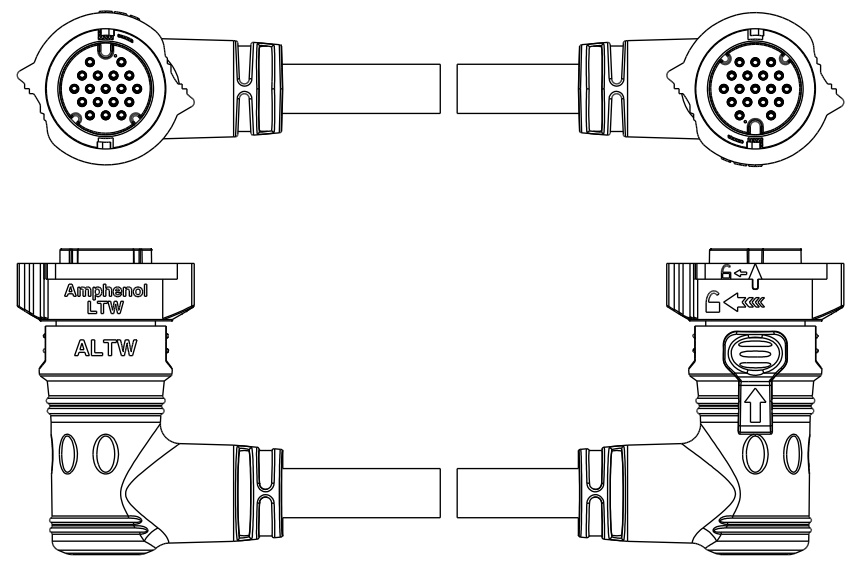
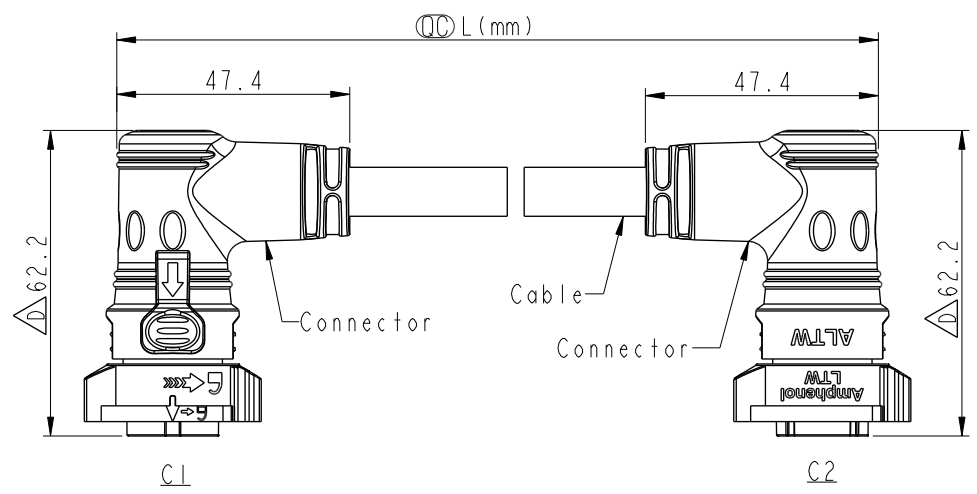


THIS DOCUMENT IS SUBJECT TO CHANGE WITHOUT NOTICE. IT IS CONFIDENTIAL AND A PROPERTY OF Amphenol LTW. DISCLOSURE TO THIRD PARTY HAS TO BE AUTHORIZED BY Amphenol LTW.

REV.	ECN NO.	DATE	SIGN	DESCRIPTION
B	C220455	2022/03/24	Ruru	$\triangle B$ X2
C	C230187	2023/02/14	Vicky	$\triangle C$ X1
D	C231263	2023/09/28	Ruru	$\triangle D$ X2



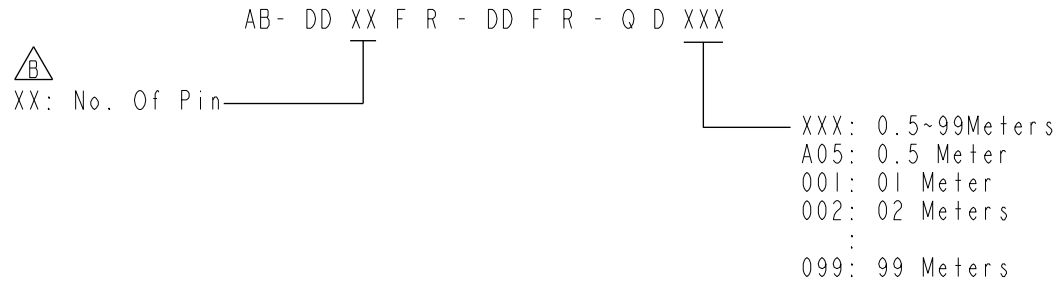
- Note: $\triangle B$
- * RoHS Compliant
 - * \odot Important dimension
 - $\triangle C$ * Waterproof rate: IP68, mated 1m/24h
 - * Connector
 - Housing: Thermoplastic, Black
 - Pin: Copper Alloy, Gold Plated
 - O-Ring: Rubber, Dark Gray
 - Nut: Thermoplastic, Black
 - Outer mold: Thermoplastic, Black
 - * Cable: UL21388, PVC Jacket, Black
 - * Cable length tolerance:
 - 0.5M < L ≤ 1M: +60/-0 mm
 - 1M < L ≤ 3M: +120/-0 mm
 - 3M < L ≤ 5M: +160/-0 mm
 - 5M < L ≤ 10M: ±100 mm
 - 10M < L ≤ 20M: ±200 mm
 - 20M < L ≤ 30M: ±300 mm
 - 30M < L ≤ 99M: ±500 mm

UNIT: mm TOLERANCE ± 0.5 mm	TITLE ACC, XLOK, D-5A, DB-ENDED FF		Amphenol LTW 安費諾亮泰企業股份有限公司		ITEM NO	DRAWN BY Ruru	DATE 2020-01-14
	SCALE 1:2	SIZE A4			SHEET 1 OF 2	DWG NO AB-DDXXFR-DDFR-QDXXX	CHECKED BY Rita
	REV. D	WC-REV.	\odot : Inspection item	CUSTOMER ALTW	APPROVED BY Max	DATE 2020-01-14	

THIS DOCUMENT IS SUBJECT TO CHANGE WITHOUT NOTICE. IT IS CONFIDENTIAL AND A PROPERTY OF AMPHENOL LTW. DISCLOSURE TO THIRD PARTY HAS TO BE AUTHORIZED BY AMPHENOL LTW.

6		7		8	
18P	PVC	10	20	AB-DD18FR-DDFR-QDXXX	
14P		8.5		AB-DD14FR-DDFR-QDXXX	
Contacts	Cable Jacket	Cable OD	AWG	Item No.	

Pin Out	14 Brown/White	棕/白	18 Blue/White	藍/白
	13 Black/White	黑/白	17 Green/White	綠/白
	12 Light Green	淡綠	16 Orange/White	橙/白
	11 Pink	粉紅	15 Red/White	紅/白
	10 White	白	14 Brown/White	棕/白
	9 Gray	灰	13 Black/White	黑/白
	8 Purple	紫	12 Light Green	淡綠
	7 Blue	藍	11 Pink	粉紅
	6 Green	綠	10 White	白
	5 Yellow	黃	9 Gray	灰
	4 Orange	橙	8 Purple	紫
	3 Red	紅	7 Blue	藍
	2 Brown	棕	6 Green	綠
	1 Black	黑	5 Yellow	黃
			4 Orange	橙
			3 Red	紅
			2 Brown	棕
			1 Black	黑
	Pin #	Wire	Pin #	Wire
C1 & C2				
	14P		18P	
Pin Assignments Front View				



UNIT: mm	
TOLERANCE	± 0.5 mm

TITLE ACC, XLOK, D-5A, DB-ENDED FF		
SCALE 1:2	SIZE A4	SHEET 2 OF 2
REV. D	WC-REV.	QC: Inspection item

Amphenol LTW
 安費諾亮泰企業股份有限公司

ITEM NO.	DRAWN BY Ruru	DATE 2020-01-14
DWG NO. AB-DDXXFR-DDFR-QDXXX	CHECKED BY Rita	DATE 2020-01-14
CUSTOMER ALTW	APPROVED BY Max	DATE 2020-01-14