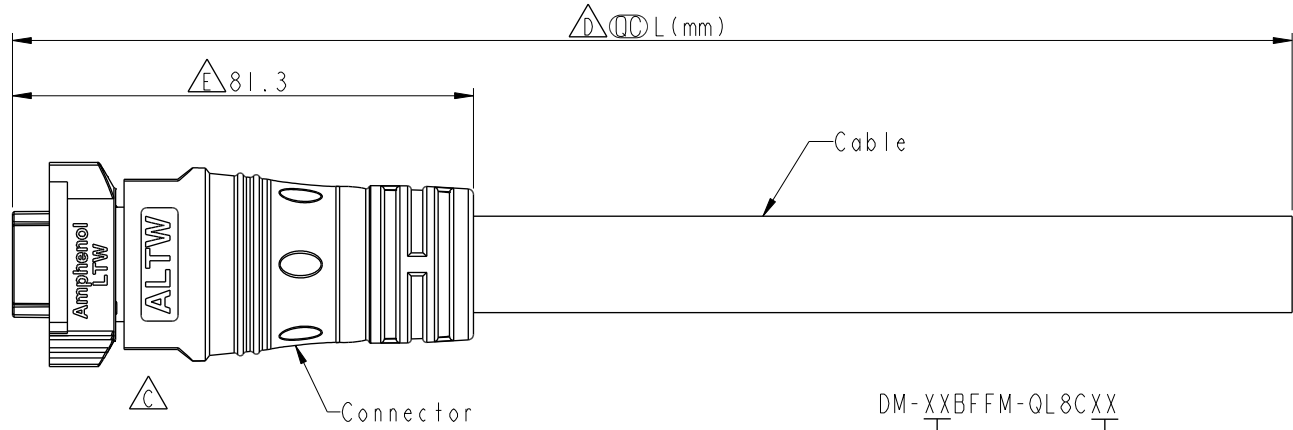
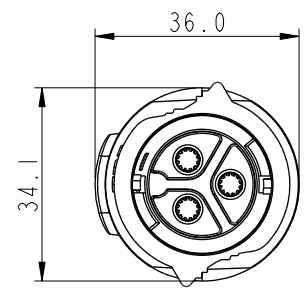


THIS DOCUMENT IS SUBJECT TO CHANGE WITHOUT NOTICE. IT IS CONFIDENTIAL AND A PROPERTY OF Amphenol LTW. DISCLOSURE TO THIRD PARTY HAS TO BE AUTHORIZED BY Amphenol LTW.

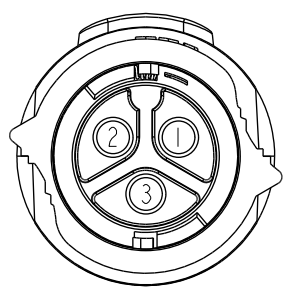
REV.	ECN NO.	DATE	SIGN	DESCRIPTION
C	C221941	2022/12/12	Ouyang	△C X3
D	C230251	2023/03/01	Vicky	△D X5
E	C230498	2023/04/18	Vicky	△E X2



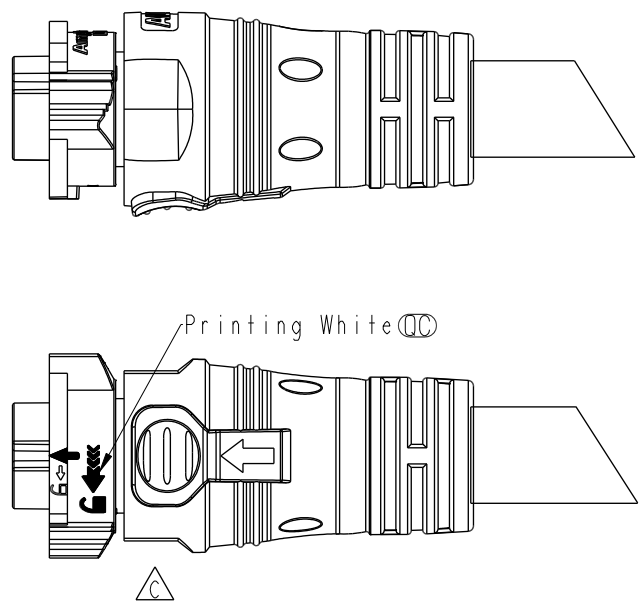
DM-XXBFFM-QL8CXX

△D XX: No. Of Pin  
 XX: 1~99 Meters  
 01: 1 Meter  
 02: 2 Meter  
 :  
 99: 99 Meter

Pin #	Wire	Wire
3	Green	綠
2	White	白
1	Black	黑



Note:  
 \* RoHS Compliant  
 \* Ⓞ Important Dimension  
 \* △\* Waterproof Rate: IP68, Mated 1m/24h  
 \* Connector  
 Housing: Thermoplastic, Black  
 Pin: Copper Alloy, Silver Plated △C  
 △D △E O-Ring: Rubber, Black △B  
 Nut: Thermoplastic, Black  
 Outer Mold: Thermoplastic, Black  
 \* Cable: UL2517, 8#\*3C, OD=17.6mm, PVC Jacket, Black  
 \* Cable Length Tolerance: 1M: +50/-0 mm  
 1M < L ≤ 3M: +100/-0 mm  
 3M < L ≤ 5M: +150/-0 mm  
 5M < L ≤ 10M: ±100 mm  
 10M < L ≤ 20M: ±200 mm  
 20M < L ≤ 30M: ±300 mm  
 30M < L ≤ 99M: ±500 mm



Pin Assignments  
 Fronts View

UNIT:mm		
TOLERANCE	±0.5mm	

TITLE XLOK, D-50A, CABLE W/O SR F, F, MOLDING, PUSH LOCK △D			
SCALE 1:1	SIZE A4	SHEET 1 OF 1	
REV. E	WC-REV. .0	Ⓞ: Inspection item	

**Amphenol LTW**  
 安費諾亮泰企業股份有限公司

ITEM NO	DRAWN BY Ouyang	DATE 2022-05-09
DWG NO △B DM-XXBFFM-QL8CXX	CHECKED BY Jerry	DATE 2022-05-09
CUSTOMER ALTW	APPROVED BY Fred	DATE 2022-05-09