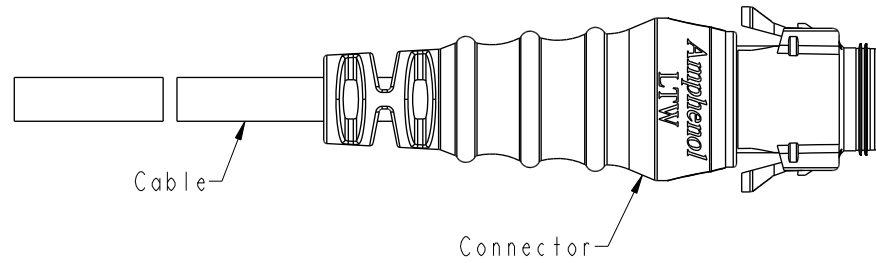
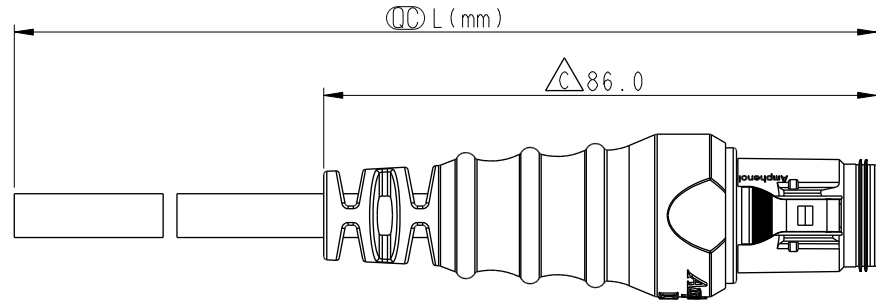


THIS DOCUMENT IS SUBJECT TO CHANGE WITHOUT NOTICE. IT IS CONFIDENTIAL AND A PROPERTY OF Amphenol LTW. DISCLOSURE TO THIRD PARTY HAS TO BE AUTHORIZED BY Amphenol LTW.

REV.	ECN NO.	DATE	SIGN	DESCRIPTION
B	C230419	2023/03/29	Vicky	$\triangle B$ X5
C	C231210	2023/09/15	Vicky	$\triangle C$ XI



- $\triangle B$ Note:
- * RoHS Compliant
 - * $\text{\textcircled{C}}$ Important dimension
 - * Waterproof rate: IP68, mated 1m/24h
 - * Connector
 - Housing: Thermoplastic, Black
 - Pin: Copper alloy, Gold plated
 - O-Ring: Rubber, Gray
 - Gasket: Rubber, Gray
 - Outer mold: Thermoplastic, Black
 - * Cable: UL21388, PVC Jacket, Black
 - * Cable length tolerance:

1M < L ≤ 3M:	+100/-0 mm
3M < L ≤ 5M:	+150/-0 mm
5M < L ≤ 10M:	±100 mm
10M < L ≤ 20M:	±200 mm
20M < L ≤ 30M:	±300 mm
30M < L ≤ 99M:	±500 mm


UNIT: mm			TITLE RBL, C-10A, CABLE W/SR M, F, MOLDING, RBL	$\triangle B$
TOLERANCE ±0.5mm	SCALE 1:1	SIZE A4	SHEET 1	OF 2
	REV. C	WC-REV. A.5	$\text{\textcircled{C}}$: Inspection item	

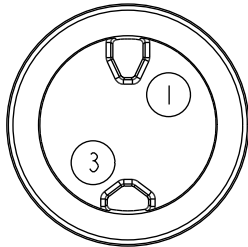
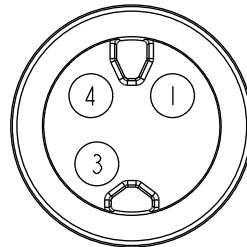
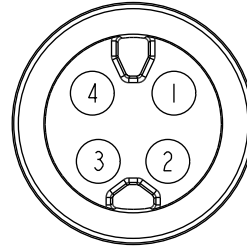
Amphenol LTW
安費諾亮泰企業股份有限公司

ITEM NO.	DRAWN BY Peng	DATE 2019-03-30
DWG NO. CB-XXAMFM-RL8DXX	CHECKED BY Mafei	DATE 2019-03-30
CUSTOMER ALTW	APPROVED BY Jerry	DATE 2019-03-30




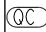
THIS DOCUMENT IS SUBJECT TO CHANGE WITHOUT NOTICE. IT IS CONFIDENTIAL AND A PROPERTY OF Amphenol LTW. DISCLOSURE TO THIRD PARTY HAS TO BE AUTHORIZED BY Amphenol LTW.

4P		6.8	16	CB-04AMFM-RL8DXX
3P		6.5		CB-03AMFM-RL8DXX
2P		6.0		CB-02AMFM-RL8DXX
Contacts	Cable OD	AWG	Item No.	

 CB-XXAMFM-RL8DXX
 XX: No. Of Pin
 XX: 01~99Meters
 01: 01Meter
 02: 02Meters
 :
 99: 99Meters

Pin Out	4	--	4	Brown	棕	4	Brown	棕	
	3	Red	紅	3	Red	紅	3	Red	紅
	2	--	2	--		2	Orange	橘	
	1	Black	黑	1	Black	黑	1	Black	黑
Conn.									
	2P		3P		4P				

Pin Assignments Front View

UNIT: mm TOLERANCE ±0.5mm	 		TITLE RBL, C-10A, CABLE W/SR M, F, MOLDING, RBL		 Amphenol LTW 安費諾亮泰企業股份有限公司	ITEM NO	DRAWN BY	DATE
	SCALE 1:1	SIZE A4	SHEET 2 OF 2			DWG NO CB-XXAMFM-RL8DXX	CHECKED BY Mafei	DATE 2019-03-30
	REV. C	WC-REV. A.5	 : Inspection item			CUSTOMER ALTW	APPROVED BY Jerry	DATE 2019-03-30