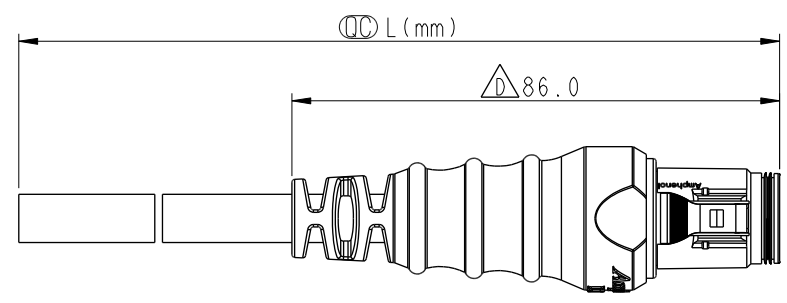


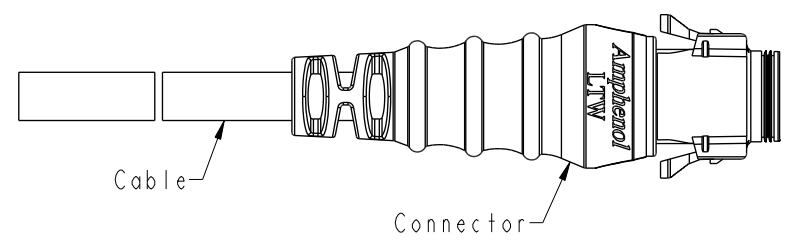
THIS DOCUMENT IS SUBJECT TO CHANGE WITHOUT NOTICE. IT IS CONFIDENTIAL AND A PROPERTY OF Amphenol LTW. DISCLOSURE TO THIRD PARTY HAS TO BE AUTHORIZED BY Amphenol LTW.

REV.	ECN NO.	DATE	SIGN	DESCRIPTION
B	C200960	2020/06/23	Ruru	△B X4
C	C230419	2023/03/30	Vicky	△C X2
D	C231210	2023/09/15	Vicky	△D X1

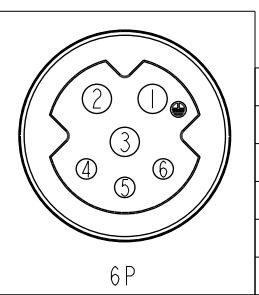


△B CBD-XXAMMM-RL8FXX

XX: No. Of Pin
 XX: 01~99Meters
 01: 01Meter
 02: 02Meters
 :
 99: 99Meters



- △B Note:
- * RoHS Compliant
 - * Ⓞ Important dimension
 - * Waterproof rate: IP68, mated 1m/24h
 - * Connector Housing: Thermoplastic, Black
 - Pin: Copper alloy, Gold plated
 - △C O-Ring: Rubber, Gray
 - Gasket: Rubber, Gray
 - △C Outer mold: Thermoplastic, Black
 - * Cable: UL21996 (20#*IP+D+AL)+16#*3C+F+AL, PVC Jacket, OD=8.5, Black
 - * Cable length tolerance: 1M: +50/-0 mm
 - 1M < L ≤ 3M: +100/-0 mm
 - 3M < L ≤ 5M: +150/-0 mm
 - 5M < L ≤ 10M: ±100 mm
 - 10M < L ≤ 20M: ±200 mm
 - 20M < L ≤ 30M: ±300 mm
 - 30M < L ≤ 99M: ±500 mm



6	Drain (20AWG)	地線
5	White (20AWG)	白
4	Green (20AWG)	綠
3	Blue (16AWG)	藍
2	Red (16AWG)	紅
1	Black (16AWG)	黑
Conn.	Wire Color	Pin Out

Twist

Pin Assignments Front View

UNIT:mm			TITLE	RBL, C-10A+5A, CABLE W/SR M, M, MOLDING, RBL	△B					
TOLERANCE	±0.5mm		SCALE	1:1	SIZE	A4	SHEET	1	OF	1
			REV.	D	WC-REV.	A.5	Ⓞ	Inspection item		

Amphenol LTW
 安費諾亮泰企業股份有限公司

ITEM NO	DRAWN BY	DATE
	Peng	2019-04-29
DWG NO	CHECKED BY	DATE
△B CBD-XXAMMM-RL8FXX	Mafei	2019-04-29
CUSTOMER	APPROVED BY	DATE
ALTW	Jerry	2019-04-29