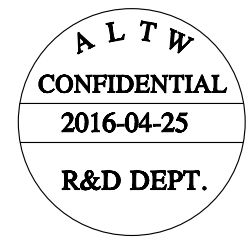
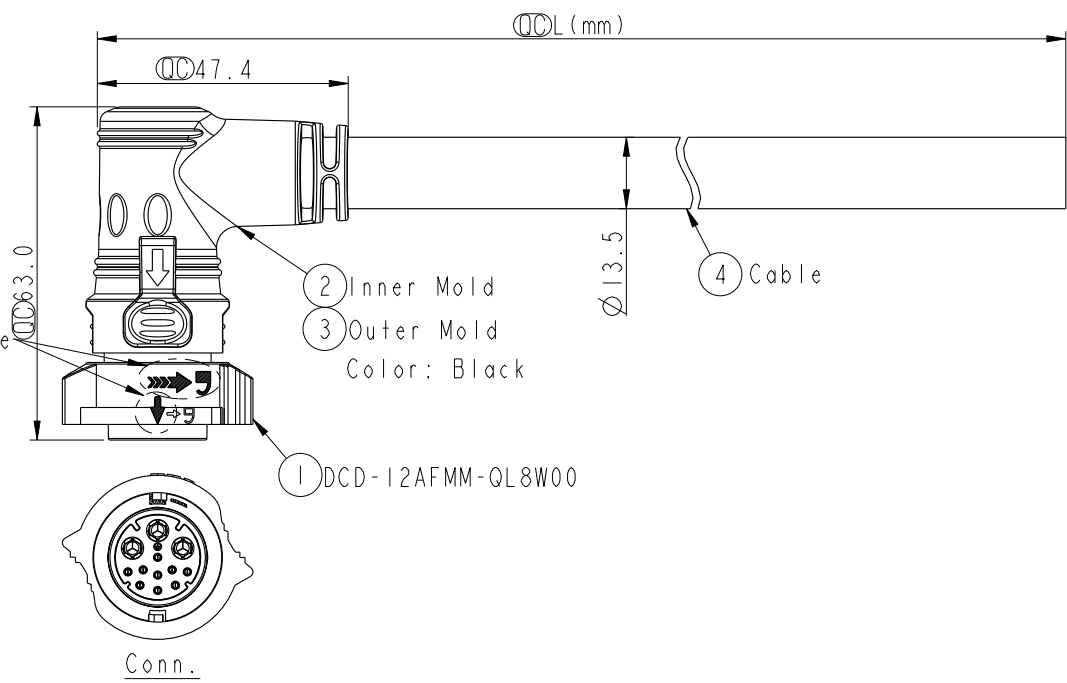


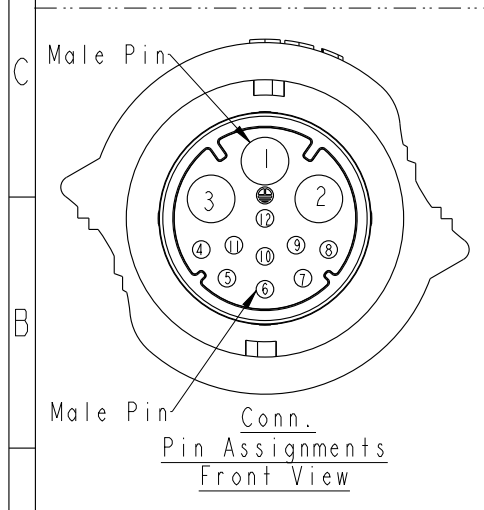
THIS DOCUMENT IS SUBJECT TO CHANGE WITHOUT NOTICE. IT IS CONFIDENTIAL AND A PROPERTY OF AMPHENOL LTW. DISCLOSURE TO THIRD PARTY HAS TO BE AUTHORIZED BY AMPHENOL LTW.

REV.	ECN NO.	DATE	SIGN	DESCRIPTION
A	Initial Release	2016-04-25	Spring	Change Rev.01 To Rev.A



Note:

- * \varnothing Important Dimension To Check.
- * Waterproof Rate: IP68(Mated, 1M/24hr)
- * Working Voltage Rating:
Power AC/DC 300V
Data DC 30V
- * Working Current:
Power: 20A
Data: 05A
- * Housing: Nylon+GF, Black
- * Male Pin: Copper Alloy, Gold & Ni Plated
- * Cable: UL21996 3C*12AWG+(26#*4P+D+AL)+F+AL/MY, PVC Jacket, OD=13.5, Black.
- * Cable Length Tolerance: 01M:±40mm
02M~05M:±60mm
06M~10M:±100mm
11M~30M:±200mm
31M~99M:±500mm



12	Drain (26AWG)	地線	
11	Gray (26AWG)	灰	Twist 對線
10	Yellow (26AWG)	黃	
9	Orange (26AWG)	橘	Twist 對線
8	Violet (26AWG)	紫	
7	Blue (26AWG)	藍	Twist 對線
6	Red (26AWG)	紅	
5	Green (26AWG)	綠	Twist 對線
4	White (26AWG)	白	
3	Black (12AWG)	黑	
2	White (12AWG)	白	
1	Green (12AWG)	綠	
Conn.	Wire Color		
	Pin Out		

DCD-12AFMM-QR8FXX
 XX : 01~99Meters
 01 : 01Meter
 02 : 02Meters
 :
 :
 99 : 99Meters
 Cable Length(L): 01~99Meters

UNIT:mm		TITLE
TOLERANCE	±0.5	X-Lok D Size Cable Molding 12 Pin F Connector M Pin
SCALE	7:10	SIZE
REV.	A	A4
WC-REV.	A.2	SHEET
		1 OF 1
		QC: Inspection item

Amphenol LTW
 安費諾亮泰企業股份有限公司

ITEM NO	DRAWN BY	DATE
	Spring	2016-04-25
DWG NO	CHECKED BY	DATE
DCD-12AFMM-QR8FXX	Fisher	2016-04-25
CUSTOMER	APPROVED BY	DATE
ALTW	Kevin	2016-04-25