

REV.	ECN NO.	DATE	SIGN	DESCRIPTION

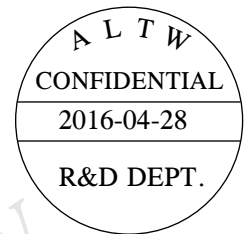
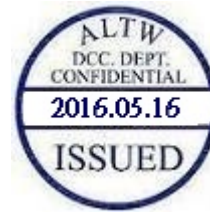
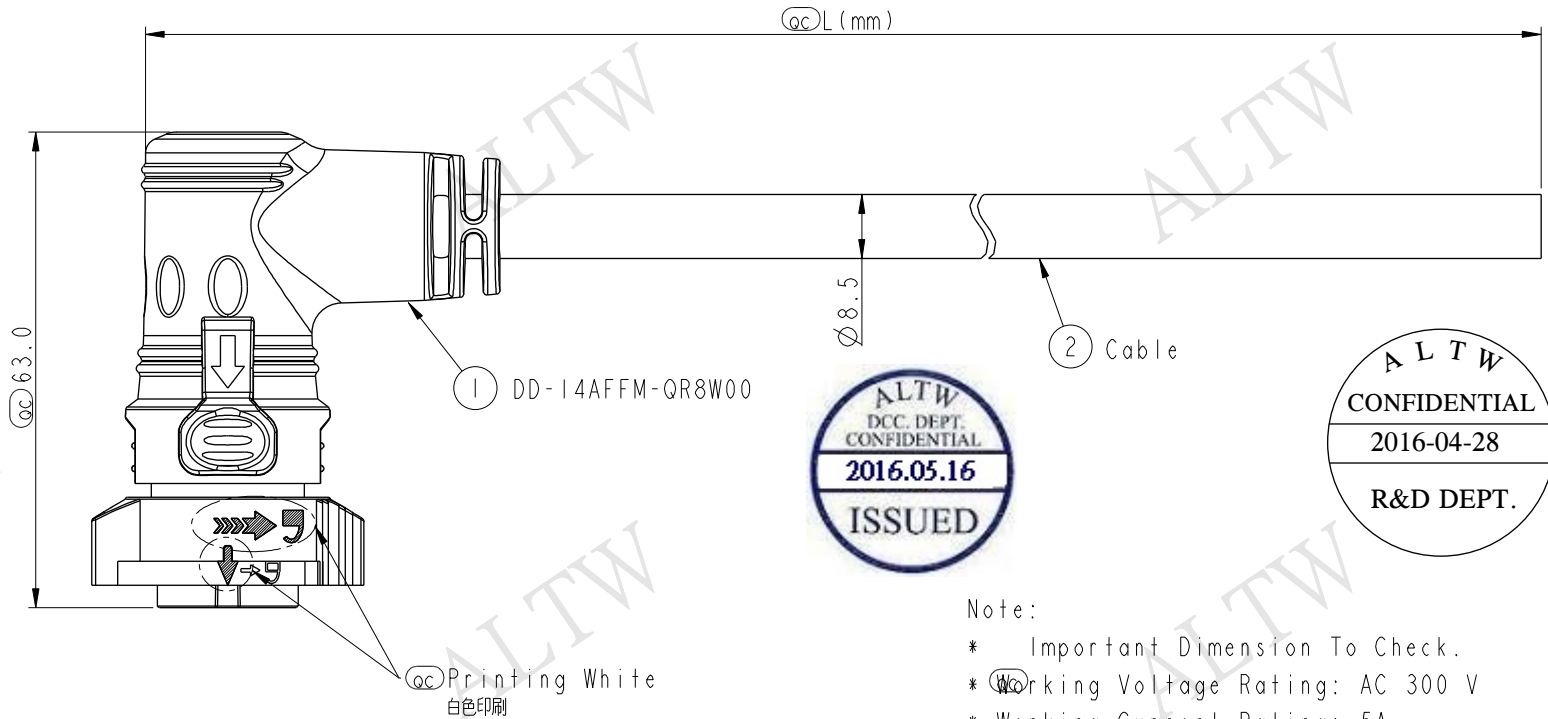
F
E
D
C
B
A

DD-14AFFM-QR8DXX

XX : 01~99Meters
 01 : 01Meter
 02 : 02Meters

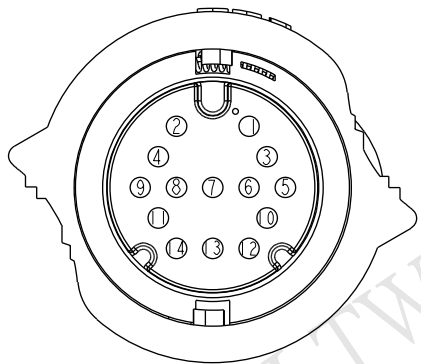
 99 : 99Meters

Cable Length(L): 01~99Meters



Note:

- * Important Dimension To Check.
- * Working Voltage Rating: AC 300 V
- * Working Current Rating: 5A
- * Flame Class: UL94V-0 (UV Resistance)
- * Waterproof Rate: IP68(Mated)
In 1 meter water within 24 hours
- * Housing: Nylon+GF, Black
- * Female Pin: Copper Alloy, Gold Plated
- * Cable: UL21388 20AWG*14C+AL.Mylar
Black, PVC Jacket UV Resistant, OD=8.5
- * Cable Length Tolerance: 01M:±40mm
02M~05M:±60mm
06M~10M:±100mm
11M~30M:±200mm
31M~99M:±500mm



Pin Assignments
Front View

7	Blue	藍	14	Brown/White	棕/白
6	Green	綠	13	Black/White	黑/白
5	Yellow	黃	12	Light Green	淡綠
4	Orange	橙	11	Pink	粉紅
3	Red	紅	10	White	白
2	Brown	棕	9	Gray	灰
1	Black	黑	8	Purple	紫
Conn.	Wire Color		Conn.	Wire Color	
Pin Out			Pin Out		

UNIT:mm		
TOLERANCE	±0.5	

TITLE X-Lok D Size Cable Molding 14Pin F Connector F Pin(5A)			
SCALE 1:1	SIZE A4	SHEET 1 OF 1	
REV. A	WC-REV. A.1	QC: Inspection item	

Amphenol LTW
安費諾亮泰企業股份有限公司

ITEM NO	DRAWN BY Wes Fan	DATE 2016-04-28
DWG NO DD-14AFFM-QR8DXX	CHECKED BY Spring Liu	DATE 2016-04-28
CUSTOMER ALTW	APPROVED BY Kevin Hu	DATE 2016-04-28

THIS DOCUMENT IS SUBJECT TO CHANGE WITHOUT NOTICE. IT IS CONFIDENTIAL AND A PROPERTY OF Amphenol LTW. DISCLOSURE TO THIRD PARTY HAS TO BE AUTHORIZED BY Amphenol LTW.