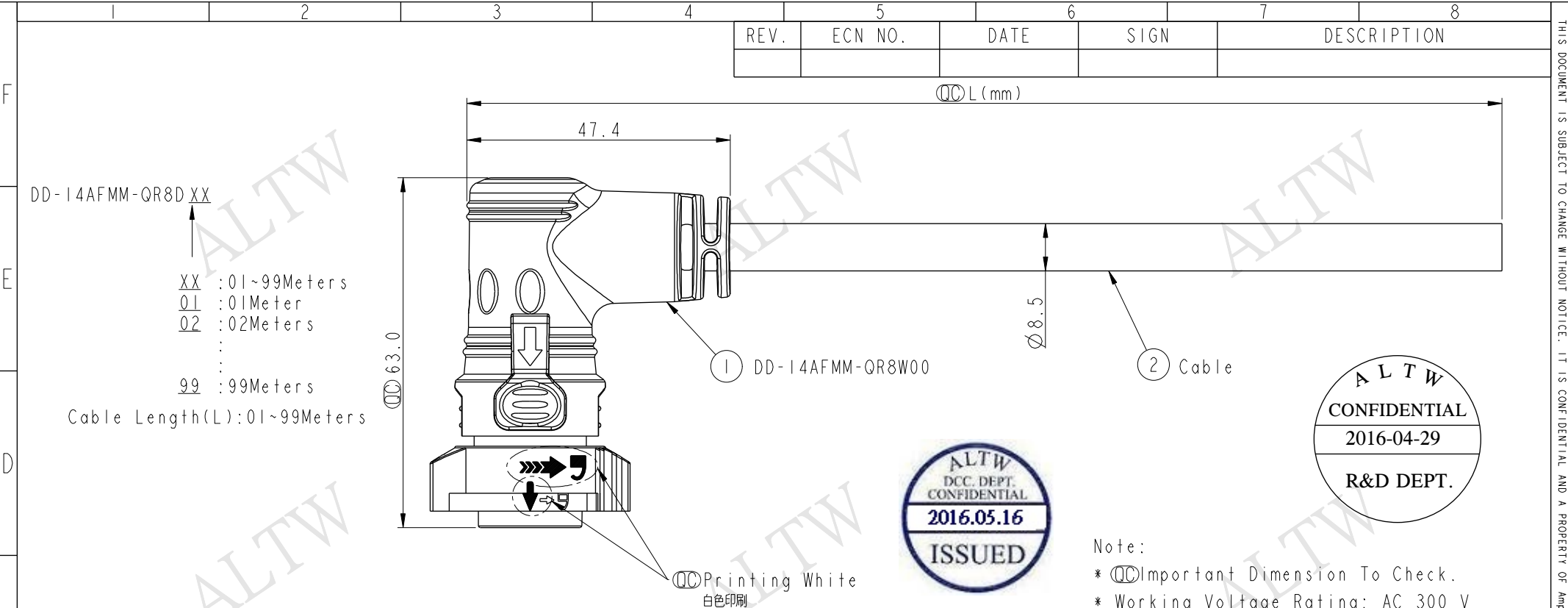


THIS DOCUMENT IS SUBJECT TO CHANGE WITHOUT NOTICE. IT IS CONFIDENTIAL AND A PROPERTY OF AMPHENOL LTW. DISCLOSURE TO THIRD PARTY HAS TO BE AUTHORIZED BY AMPHENOL LTW.

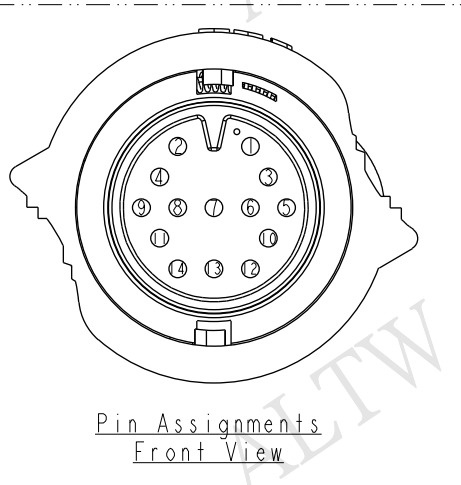
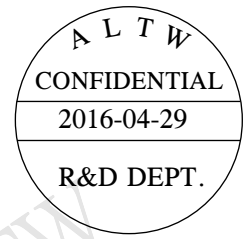
| | | | | |
|------|---------|------|------|-------------|
| REV. | ECN NO. | DATE | SIGN | DESCRIPTION |
| | | | | |



DD-14AFMM-QR8D XX

XX : 01~99Meters
 01 : 01Meter
 02 : 02Meters
 ...
 99 : 99Meters

Cable Length(L): 01~99Meters



| | | | | | |
|---------|------------|---|---------|-------------|-----|
| 7 | Blue | 藍 | 14 | Brown/White | 棕/白 |
| 6 | Green | 綠 | 13 | Black/White | 黑/白 |
| 5 | Yellow | 黃 | 12 | Light Green | 淡綠 |
| 4 | Orange | 橙 | 11 | Pink | 粉紅 |
| 3 | Red | 紅 | 10 | White | 白 |
| 2 | Brown | 棕 | 9 | Gray | 灰 |
| 1 | Black | 黑 | 8 | Purple | 紫 |
| Conn. | Wire Color | | Conn. | Wire Color | |
| Pin Out | | | Pin Out | | |

- Note:
- * \varnothing Important Dimension To Check.
 - * Working Voltage Rating: AC 300 V
 - * Working Current Rating: 5A
 - * Flame Class: UL94V-0 (UV Resistance)
 - * Waterproof Rate: IP68(Mated)
In 1 meter water within 24 hours
 - * Housing: Nylon+GF, Black
 - * Female Pin: Copper Alloy, Gold Plated
 - * Cable: UL21388 20AWG*14C+AL.Mylar Black, PVC Jacket UV Resistant, OD=8.5
 - * Cable Length Tolerance: 01M:±40mm
02M~05M:±60mm
06M~10M:±100mm
11M~30M:±200mm
31M~99M:±500mm

| | | | | | | | | | |
|------------------------------|--|---|----------------|--|---------------------------------|---------------------|----------------------------|--------------------------|--------------------|
| UNIT:mm TOLERANCE ±0.5 | | TITLE X-Lok D Size Cable Molding 14Pin F Connector M Pin(05A) | | <h1>Amphenol LTW</h1> 安費諾亮泰企業股份有限公司 | ITEM NO | DRAWN BY Wes Fan | DATE 2016-04-29 | | |
| | | SCALE 1:1 | SIZE A4 | | SHEET 1 | OF 1 | DWG NO DD-14AFMM-QR8DXX | CHECKED BY Spring Liu | DATE 2016-04-29 |
| | | REV. A | WC-REV. A.1 | | \varnothing : Inspection item | | CUSTOMER ALTW | APPROVED BY Kevin Hu | DATE 2016-04-29 |
| | | | | 8 FMM10702-01-02A1 | | | | | |