

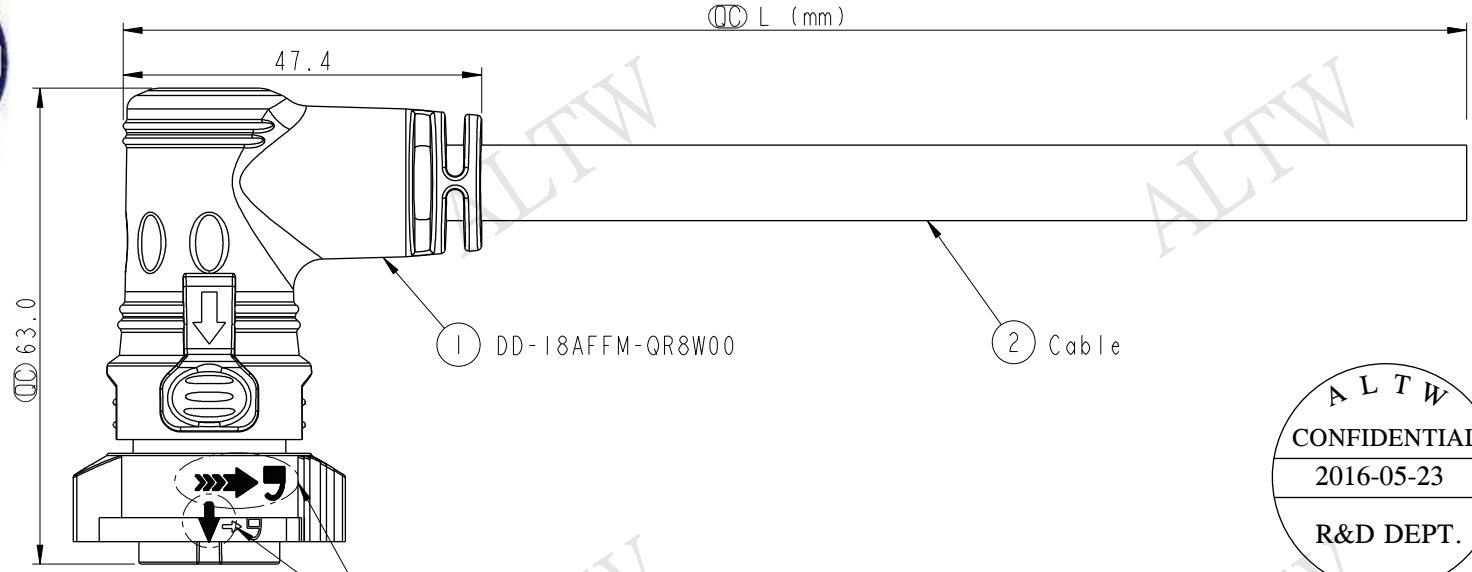
| | | | | |
|------|---------|------|------|-------------|
| REV. | ECN NO. | DATE | SIGN | DESCRIPTION |
| | | | | |



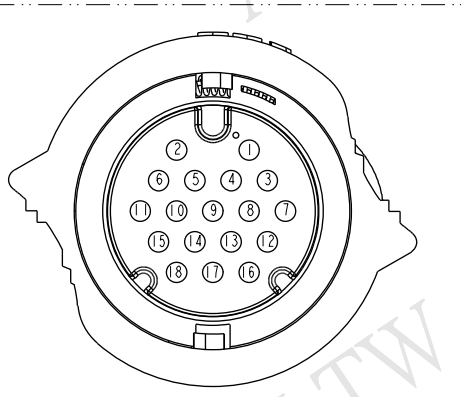
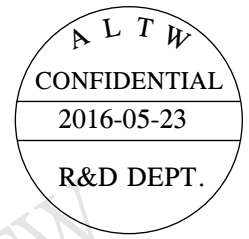
DD-18AFFM-QR8D XX

XX : 01~99Meters
 01 : 01Meter
 02 : 02Meters
 ...
 99 : 99Meters

Cable Length(L):01~99Meters



☉ Printing White
 白色印刷



Pin Assignments
 Front View

| | | | | | |
|---------|------------|---|---------|--------------|-----|
| 9 | Gray | 灰 | 18 | Blue/White | 藍/白 |
| 8 | Purple | 紫 | 17 | Green/White | 綠/白 |
| 7 | Blue | 藍 | 16 | Orange/White | 橙/白 |
| 6 | Green | 綠 | 15 | Red/White | 紅/白 |
| 5 | Yellow | 黃 | 14 | Brown/White | 棕/白 |
| 4 | Orange | 橙 | 13 | Black/White | 黑/白 |
| 3 | Red | 紅 | 12 | Light Green | 淡綠 |
| 2 | Brown | 棕 | 11 | Pink | 粉紅 |
| 1 | Black | 黑 | 10 | White | 白 |
| Conn. | Wire Color | | Conn. | Wire Color | |
| Pin Out | | | Pin Out | | |

Note:

- * ☉ Important Dimension To Check.
- * Working Voltage Rating: AC 300 V
- * Working Current Rating: Max. 05A
- * Flame Class: UL94V-0
- * Waterproof Rate: IP68(Mated)
 In 1 meter water within 24 hours.
- * Housing: Nylon+GF, Black
- * Female Pin: Copper Alloy, Gold & Ni Plated
- * Cable: UL21388 20AWG*18C+AL.Mylar,
 PVC Jacket UV Resistant, OD=10.0, Black.
- * Cable Length Tolerance: 01M:±40mm
 02M~05M:±60mm
 06M~10M:±100mm
 11M~30M:±200mm
 31M~99M:±500mm

UNIT:mm
 TOLERANCE ±0.5

TITLE X-Lok D Size Cable Molding
 18Pin F Connector F Pin(05A)
 SCALE 1:1 SIZE A4 SHEET 1 OF 1
 REV. A WC-REV. A.2 ☉ Inspection item

Amphenol LTW
 安費諾亮泰企業股份有限公司

| | | |
|------------------|-------------|------------|
| ITEM NO | DRAWN BY | DATE |
| | Wes Fan | 2016-05-23 |
| DWG NO | CHECKED BY | DATE |
| DD-18AFFM-QR8DXX | Spring Liu | 2016-05-23 |
| CUSTOMER | APPROVED BY | DATE |
| ALTW | Kevin Hu | 2016-05-23 |

THIS DOCUMENT IS SUBJECT TO CHANGE WITHOUT NOTICE. IT IS CONFIDENTIAL AND A PROPERTY OF AMPHENOL LTW. DISCLOSURE TO THIRD PARTY HAS TO BE AUTHORIZED BY AMPHENOL LTW.