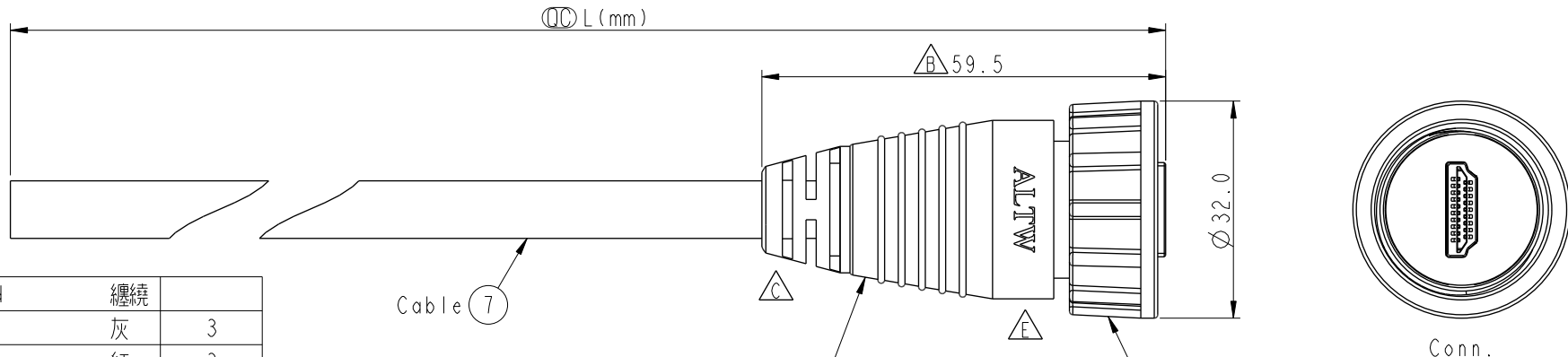


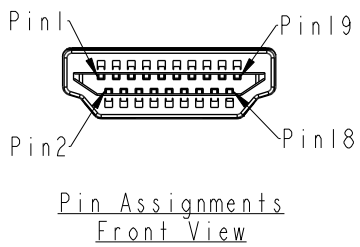
THIS DOCUMENT IS SUBJECT TO CHANGE WITHOUT NOTICE. IT IS CONFIDENTIAL AND A PROPERTY OF Amphenol LTW. DISCLOSURE TO THIRD PARTY HAS TO BE AUTHORIZED BY Amphenol LTW.

REV.	ECN NO.	DATE	SIGN	DESCRIPTION
C	C210055	2021/01/08	Ruru	X5
D	C240236	2024/03/07	Vicky	X1
E	C240292	2024/03/21	Vicky	X1



Shell	Braid	纏繞	
19	Gray	灰	3
18	Red	紅	3
17	Pink	粉紅	3
16	Orange	橙	2
15	Yellow	黃	
14	Purple	紫	3
13	White	白	3
12	White	白	1
11	Drain	地線	
10	Blue	藍	
9	White	白	1
8	Drain	地線	
7	Green	綠	
6	White	白	1
5	Drain	地線	
4	Red	紅	
3	White	白	1
2	Drain	地線	
1	Brown	棕	

Type	Wire Type
Type 3	IC
Type 2	IP
Type 1	IP+D+AL



HP-19AFMM-SL7AXX
 ↑
 XX:01~05Meters
 01:01 Meters
 02:02 Meters
 :
 :
 05:05 Meters
 Cable Length(L):01~05Meters

- Note:
- * C Important Dimension To Check
 - * Waterproof Rate: IP67
 - * Δ Plug: 19Pin HDMI Type A, Gold Plated
 - * C Housing: Thermoplastic, Black
 - * C Screw Nut: Thermoplastic, Black
 - * C Gasket: Rubber, Black
 - * Cable: UL20276 (26#*IP+D+AL+MYLAR)*4C +26#*IP+26#*5C+AL+B, PVC Jacket, OD=8.5
 - * Cable Length Tolerance: $L \pm 5\%$ mm

Conn.	Wire Color	Wire Type

UNIT:mm	
TOLERANCE	$\pm 0.5\text{mm}$

TITLE HDMI, PLUG, 19P, CABLE W/SR F, M, MOLDING, SCREW			
SCALE 1:1	SIZE A4	SHEET 1 OF 1	
REV. E	WC-REV. A.3	C : Inspection item	

Amphenol LTW
 安費諾亮泰企業股份有限公司

ITEM NO	DRAWN BY Vicky	DATE 2024-03-21
DWG NO HP-19AFMM-SL7AXX	CHECKED BY Rita	DATE 2024-03-21
CUSTOMER ALTW	APPROVED BY Fred	DATE 2024-03-21