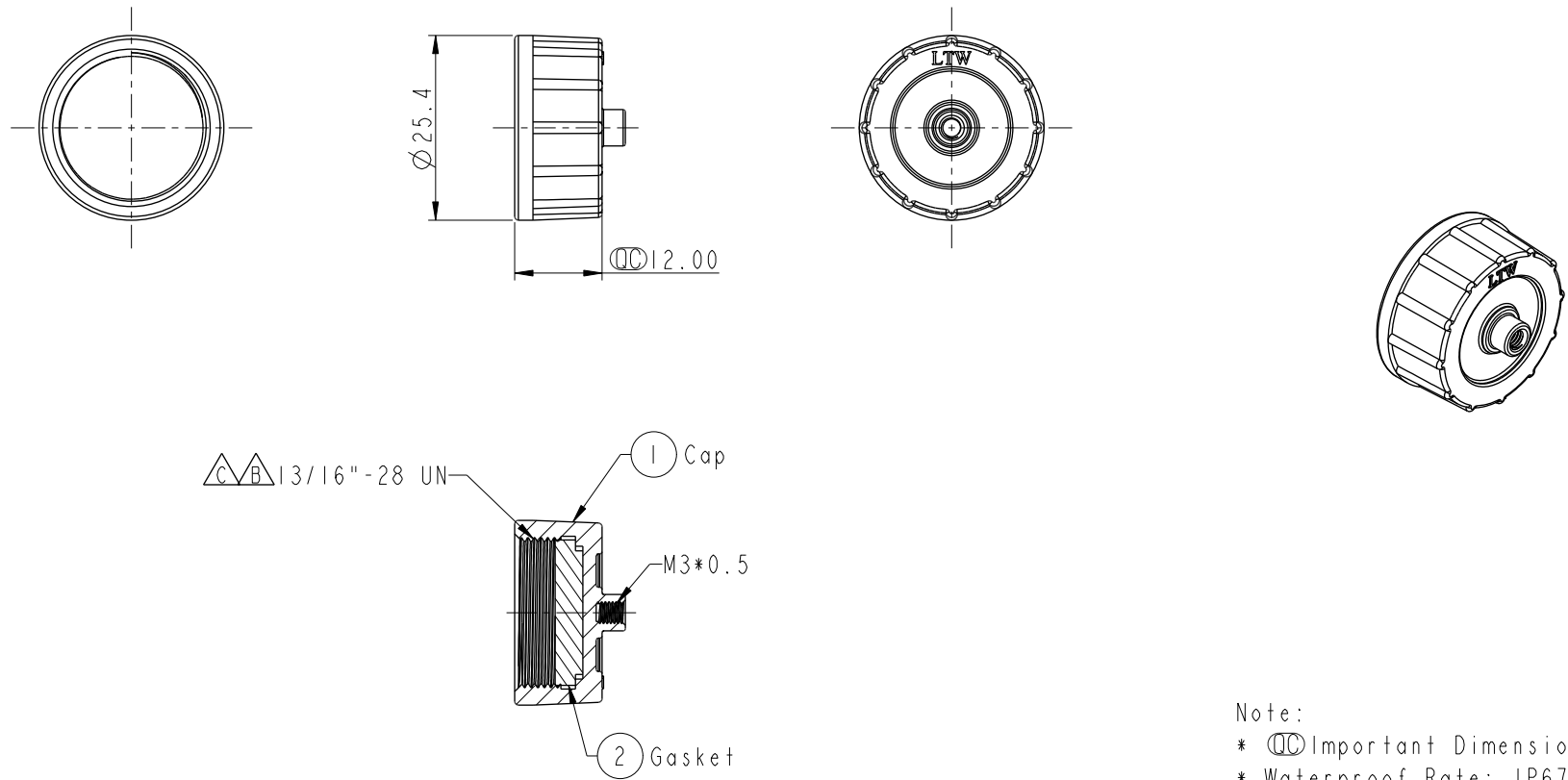


THIS DOCUMENT IS SUBJECT TO CHANGE WITHOUT NOTICE. IT IS CONFIDENTIAL AND A PROPERTY OF LTW. DISCLOSURE TO THIRD PARTY HAS TO BE AUTHORIZED BY LTW.

REV.	ECN NO.	DATE	SIGN	DESCRIPTION
A	Initial Release	2013/09/10	Vicky	Old Item No. CAP-WACPMSA2
B	LEN1490174	2014/09/11	Vicky	Update the thread size
C	C240727	2024/06/26	Ruru	$\triangle C$ X2



Note:
 * ⌀ Important Dimension.
 * Waterproof Rate: IP67
 * Cap: Zinc Alloy, Nickel Plated
 * Gasket: EPDM, Black

A	UNIT: mm	⌀	⌀	TITLE	ACC, CERES, WP CAP SCREW, NONE			 安費諾亮泰企業股份有限公司	ITEM NO	CAP-WACMSMA2	DRAWN BY	Ruru	DATE	2024-06-26		
	TOLERANCE	.X	± 0.25	SCALE	1:1	SIZE	A4		SHEET	1	OF	1	CHECKED BY	Rita	DATE	2024-06-26
		.XX	± 0.1	REV.	C	WC-REV.	A.1		⌀	Inspection item	DWG NO	CAP-WACMSMA2	APPROVED BY	Fred	DATE	2024-06-26
		.XXX	± 0.05	ANGLES	$\pm 1^\circ$	CUSTOMER	ALTW									