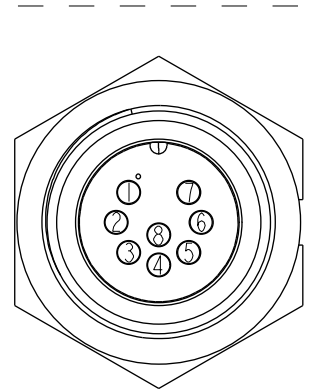
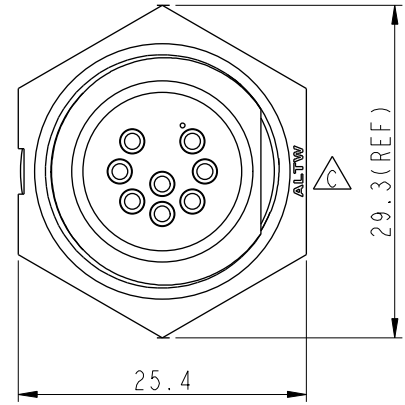
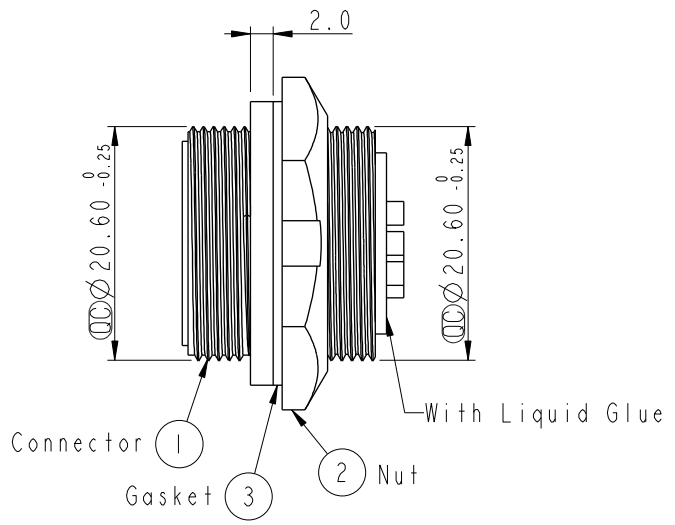
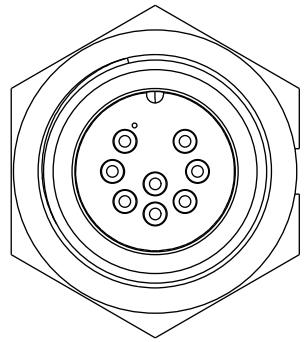
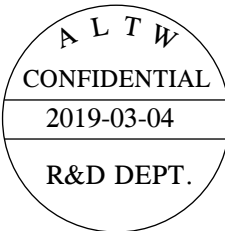
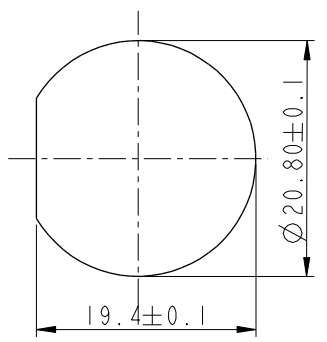


THIS DOCUMENT IS SUBJECT TO CHANGE WITHOUT NOTICE. IT IS CONFIDENTIAL AND A PROPERTY OF Amphenol LTW. DISCLOSURE TO THIRD PARTY HAS TO BE AUTHORIZED BY Amphenol LTW.

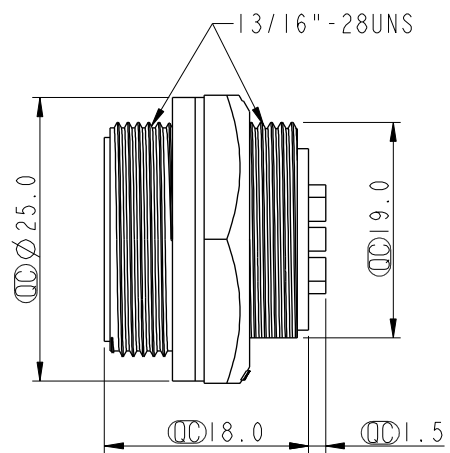
REV.	ECN NO.	DATE	SIGN	DESCRIPTION
B	LEN-8B0247	2008/10/03	Shin	Add Note
C	CI90271	2019/03/04	Ruru	Modify Note & Change Logo



Pin Assignments  
Front View



Recommender Panel Cut-Out



Note:  $\triangle C$

- \*  $\text{⌀}$  Important Dimension.
- \* Waterproof Rate: IP67, Unmated
- \* Housing: Thermoplastic, Black
- \* Pin: Copper Alloy, Gold Plated
- \* Nut: Thermoplastic, Black
- \* Gasket: Rubber, Black
- $\triangle B$  \* Use with waterproof cap or dust cap  
Maximum Panel Thickness: 3.0mm
- $\triangle A$  \* Use without waterproof cap or dust cap  
Maximum Panel Thickness: 4.0mm
- \* Gasket and Nut are packed separately in PE bags.

UNIT: mm	
TOLERANCE	
.X	±0.25
.XX	±0.1
.XXX	±0.05
ANGLES	±1°

TITLE Middle, Panel Screw 8Pin M Conn. M Pin			
SCALE 1:1	SIZE A4	SHEET 1 OF 1	
REV. C	WC-REV. A.2	$\text{⌀}$ : Inspection item	

**Amphenol LTW**  
安費諾亮泰企業股份有限公司

ITEM NO. CD-08RMMS-SC7001	DRAWN BY Ruru	DATE 2019-03-04
DWG NO. CD-08RMMS-SC7001	CHECKED BY Rita	DATE 2019-03-04
CUSTOMER ALTW	APPROVED BY Max	DATE 2019-03-04