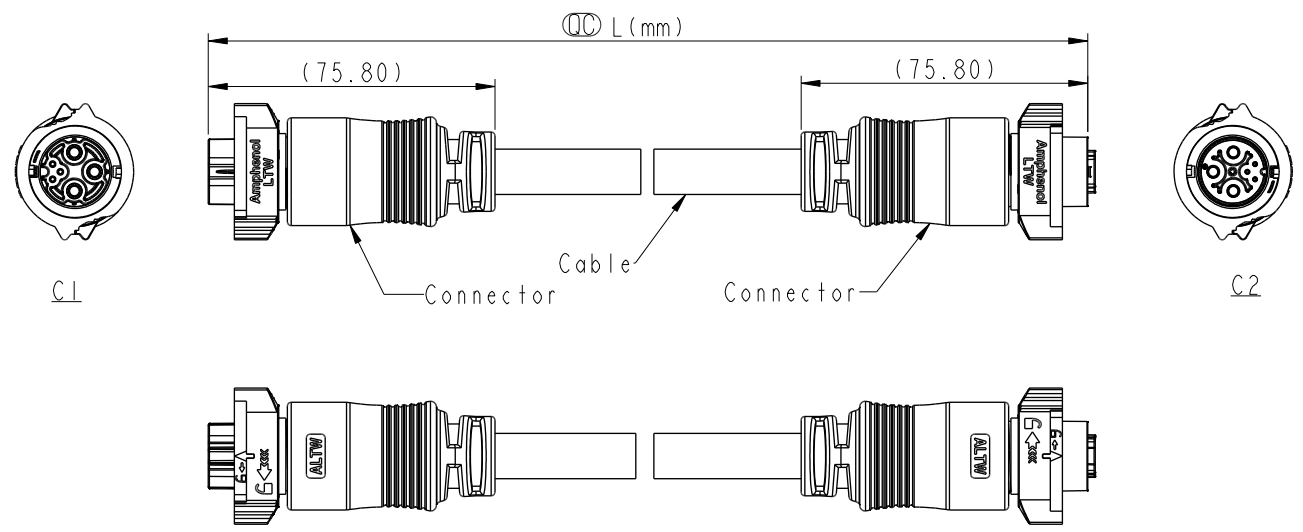


THIS DOCUMENT IS SUBJECT TO CHANGE WITHOUT NOTICE. IT IS CONFIDENTIAL AND A PROPERTY OF Amphenol LTW. DISCLOSURE TO THIRD PARTY HAS TO BE AUTHORIZED BY Amphenol LTW.

REV.	ECN NO.	DATE	SIGN	DESCRIPTION
A	-	2023/11/02	Wenxiang	New Initial
B	C231506	2023/12/01	Wenxiang	$\triangle B$ X1
C	C240236	2024/03/07	Vicky	$\triangle C$ X3



Note:

- * RoHS Compliant
- * \varnothing Important dimension
- * C1
 - Waterproof rate: IP68, mated 1m/24h
 - Housing: Thermoplastic, Black
 - Pin-1: Copper Alloy, Gold Plated
 - Pin-2: Copper Alloy, Nickel Plated
 - O-Ring: Rubber, Gray
 - Nut: Thermoplastic, Black
- * C2
 - Waterproof rate: IP68, mated 1m/24h
 - Housing: Thermoplastic, Black
 - Pin-1: Copper Alloy, Gold Plated
 - Pin-2: Copper Alloy, Nickel Plated
 - O-Ring: Rubber, Dark Gray
 - Nut: Thermoplastic, Black
- * Cable: UL2517, PVC Jacket, Black.
- * Cable length tolerance:
 - 0.5M < L ≤ 1M: +60/-0 mm
 - 1M < L ≤ 3M: +120/-0 mm
 - 3M < L ≤ 5M: +160/-0 mm
 - 5M < L ≤ 10M: ±100 mm
 - 10M < L ≤ 20M: ±200 mm
 - 20M < L ≤ 30M: ±300 mm
 - 30M < L ≤ 99M: ±500 mm

XX: No. Of Pin (Pin數)

AB- DCD XX F L - DCD B L - Q C XXX

XXX: 0.5~99Meters
 A05: 0.5 Meter
 001: 01 Meter
 002: 02 Meters
 :
 099: 99 Meters

6P	12	(24#*1P+D+AL)+14#*3C+F+PA	AB-DCD06FL-DCDBL-QCXXX
Contacts	Cable OD	AWG	Item No.

UNIT:mm		TITLE ACC, XLOK, D-20A+5A, DB-ENDED FF, PUSH LOCK
TOLERANCE ±0.5 mm	SCALE 1:2	SIZE A4
	REV. C	WC-REV. 1.0
		SHEET 1 OF 2
		\varnothing : Inspection item

Amphenol LTW
 安費諾亮泰企業股份有限公司

ITEM NO.	DRAWN BY Vicky	DATE 2024-03-07
DWG NO. AB-DCDXXFL-DCDBL-QCXXX	CHECKED BY Rita	DATE 2024-03-07
CUSTOMER ALTW	APPROVED BY Fred	DATE 2024-03-07

THIS DOCUMENT IS SUBJECT TO CHANGE WITHOUT NOTICE. IT IS CONFIDENTIAL AND A PROPERTY OF Amphenol LTW. DISCLOSURE TO THIRD PARTY HAS TO BE AUTHORIZED BY Amphenol LTW.

1 2 3 4 5 6 7 8

F

E

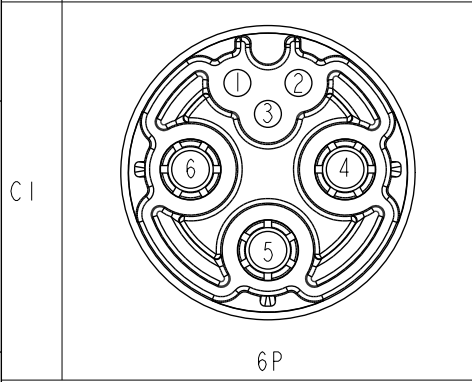
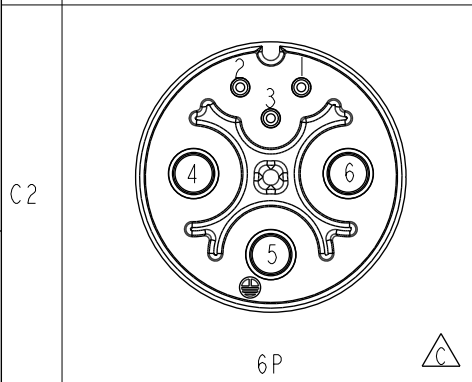
D

C

B

A

Pin Out	6 White (14AWG) 白	} Twist 對線
	5 Green (14AWG) 綠	
	4 Black (14AWG) 黑	
	3 Drain (24AWG) 地線	
	2 Orange (24AWG) 橋	
	1 Red (24AWG) 紅	
Conn.	Wire Color	



Pin Assignments Front View

UNIT:mm	
TOLERANCE	±0.5 mm

TITLE ACC, XLOK, D-20A+5A, DB-ENDED FF, PUSH LOCK			
SCALE 1:2	SIZE A4	SHEET 2 OF 2	
REV. C	WC-REV. 1.0	QC: Inspection item	

Amphenol LTW
安費諾亮泰企業股份有限公司

ITEM NO	DRAWN BY Vicky	DATE 2024-03-07
DWG NO AB-DCDXXFL-DCDBL-QCXXX	CHECKED BY Rita	DATE 2024-03-07
CUSTOMER ALTW	APPROVED BY Fred	DATE 2024-03-07

1 2 3 4 5 6 7 8 W10814-03-01A2