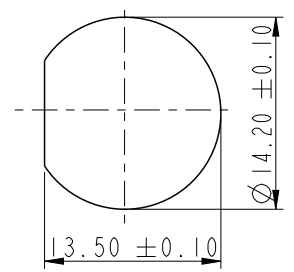
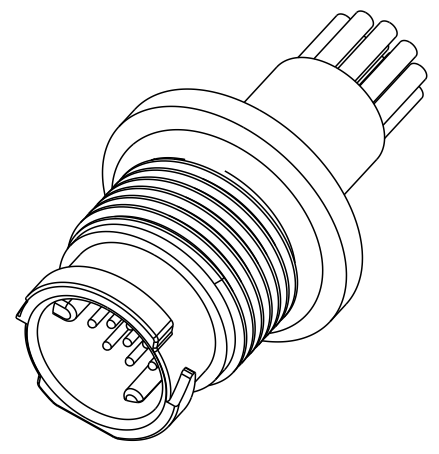
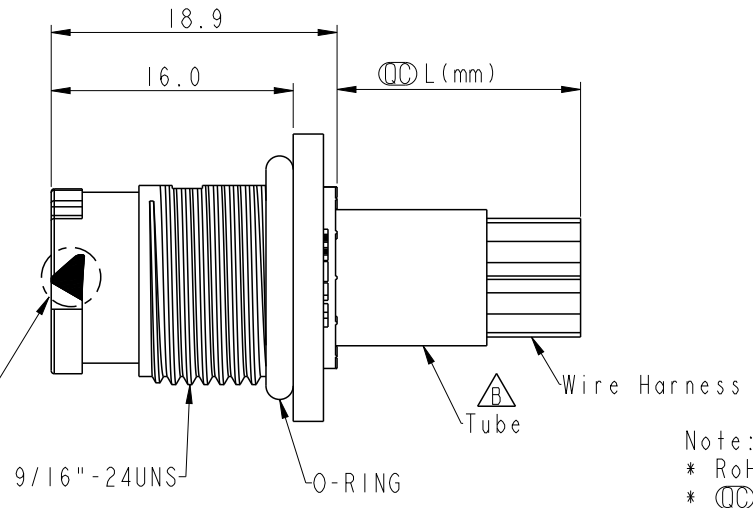
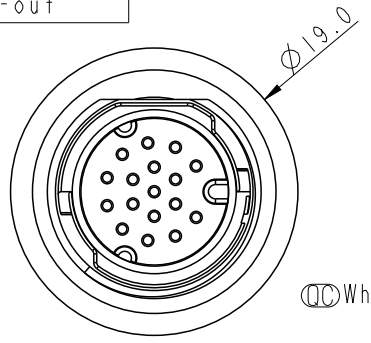


THIS DOCUMENT IS SUBJECT TO CHANGE WITHOUT NOTICE. IT IS CONFIDENTIAL AND A PROPERTY OF Amphenol LTW. DISCLOSURE TO THIRD PARTY HAS TO BE AUTHORIZED BY Amphenol LTW.

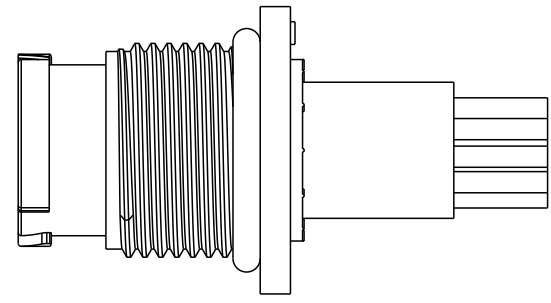
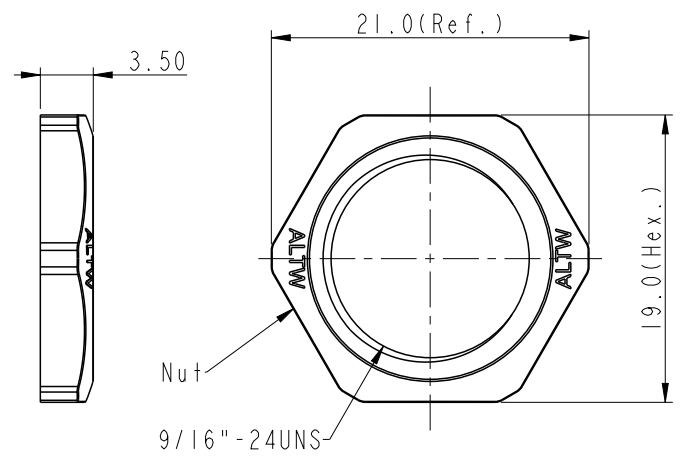
REV.	ECN NO.	DATE	SIGN	DESCRIPTION
A		2023/10/31	Yunchen	Rev.01 to Rev.A
B	C231397	2023/11/02	Yunchen	$\triangle B \times 1$
C	C231474	2023/11/21	Yunchen	$\triangle C \times 3$



Recommended Panel Cut-out



- Note:
- * RoHS Compliant
 - * ⌀ Important Dimension
 - * Waterproof Rate: IP68, Unmated 1m/24h
 - * Connector
 - Housing: Thermoplastic, Black
 - Pin: Copper Alloy, Gold Plated
 - * Nut: Thermoplastic, Black
 - * O-Ring: Rubber, Gray
 - * Use without waterproof cap or dust cap
 - Panel thickness Max: 4.0mm
 - * Use with waterproof cap or dust cap
 - Panel thickness Max: 3.0mm
 - * Nut is packed separately in PE bag
 - * Wire: UL1430, 26AWG, XL-PVC Jacket, BK
 - * Wire harness tolerance:
 - 100mm: ±10mm
 - 100mm < L ≤ 300mm: ±15mm
 - 300mm < L ≤ 1000mm: ±20mm
 - 1000mm < L ≤ 1500mm: ±50mm

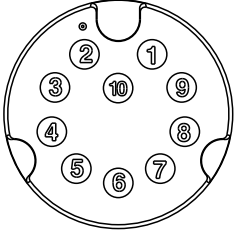
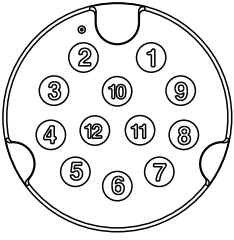
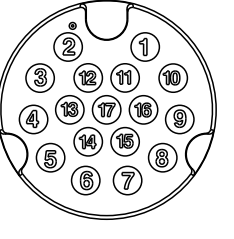
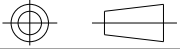


UNIT: mm	⌀	⌀	TITLE XLOK, A-1.5A, FRONT FASTENED M, M, SOLDER, PUSH LOCK		
TOLERANCE ±0.50mm			SCALE 2:1	SIZE A4	SHEET 1 OF 2
			REV. C	WC-REV. .0	⌀ : Inspection item

Amphenol LTW
安費諾亮泰企業股份有限公司

ITEM NO.	DRAWN BY Yunchen	DATE 2023/10/05
DWG NO. AZ-XXPMMS-0C8AXX	CHECKED BY Neo	DATE 2023/10/05
CUSTOMER ALTW	APPROVED BY Fred	DATE 2023/10/05

THIS DOCUMENT IS SUBJECT TO CHANGE WITHOUT NOTICE. IT IS CONFIDENTIAL AND A PROPERTY OF Amphenol LTW. DISCLOSURE TO THIRD PARTY HAS TO BE AUTHORIZED BY Amphenol LTW.

	1	2	3	4	5	6	7	8																																																																																																																
F																																																																																																																								
E	△ C △ C △ C																																																																																																																							
D	<table border="1" style="width: 100%; border-collapse: collapse;"> <tr><td>10</td><td>Violet</td><td>紫</td></tr> <tr><td>9</td><td>Black</td><td>黑</td></tr> <tr><td>8</td><td>Red</td><td>紅</td></tr> <tr><td>7</td><td>Blue</td><td>藍</td></tr> <tr><td>6</td><td>Pink</td><td>粉</td></tr> <tr><td>5</td><td>Gray</td><td>灰</td></tr> <tr><td>4</td><td>Yellow</td><td>黃</td></tr> <tr><td>3</td><td>Green</td><td>綠</td></tr> <tr><td>2</td><td>Brown</td><td>棕</td></tr> <tr><td>1</td><td>White</td><td>白</td></tr> </table>	10	Violet	紫	9	Black	黑	8	Red	紅	7	Blue	藍	6	Pink	粉	5	Gray	灰	4	Yellow	黃	3	Green	綠	2	Brown	棕	1	White	白	<table border="1" style="width: 100%; border-collapse: collapse;"> <tr><td>12</td><td>Red/Blue</td><td>紅/藍</td></tr> <tr><td>11</td><td>Gray/Pink</td><td>灰/粉</td></tr> <tr><td>10</td><td>Violet</td><td>紫</td></tr> <tr><td>9</td><td>Black</td><td>黑</td></tr> <tr><td>8</td><td>Red</td><td>紅</td></tr> <tr><td>7</td><td>Blue</td><td>藍</td></tr> <tr><td>6</td><td>Pink</td><td>粉</td></tr> <tr><td>5</td><td>Gray</td><td>灰</td></tr> <tr><td>4</td><td>Yellow</td><td>黃</td></tr> <tr><td>3</td><td>Green</td><td>綠</td></tr> <tr><td>2</td><td>Brown</td><td>棕</td></tr> <tr><td>1</td><td>White</td><td>白</td></tr> </table>	12	Red/Blue	紅/藍	11	Gray/Pink	灰/粉	10	Violet	紫	9	Black	黑	8	Red	紅	7	Blue	藍	6	Pink	粉	5	Gray	灰	4	Yellow	黃	3	Green	綠	2	Brown	棕	1	White	白	<table border="1" style="width: 100%; border-collapse: collapse;"> <tr><td>17</td><td>White/Gray</td><td>白/灰</td></tr> <tr><td>16</td><td>Yellow/Brown</td><td>黃/棕</td></tr> <tr><td>15</td><td>White/Yellow</td><td>白/黃</td></tr> <tr><td>14</td><td>Brown/Green</td><td>棕/綠</td></tr> <tr><td>13</td><td>White/Green</td><td>白/綠</td></tr> <tr><td>12</td><td>Red/Blue</td><td>紅/藍</td></tr> <tr><td>11</td><td>Gray/Pink</td><td>灰/粉</td></tr> <tr><td>10</td><td>Violet</td><td>紫</td></tr> <tr><td>9</td><td>Red</td><td>紅</td></tr> <tr><td>8</td><td>Gray</td><td>灰</td></tr> <tr><td>7</td><td>Black</td><td>黑</td></tr> <tr><td>6</td><td>Yellow</td><td>黃</td></tr> <tr><td>5</td><td>Pink</td><td>粉</td></tr> <tr><td>4</td><td>Green</td><td>綠</td></tr> <tr><td>3</td><td>White</td><td>白</td></tr> <tr><td>2</td><td>Blue</td><td>藍</td></tr> <tr><td>1</td><td>Brown</td><td>棕</td></tr> </table>	17	White/Gray	白/灰	16	Yellow/Brown	黃/棕	15	White/Yellow	白/黃	14	Brown/Green	棕/綠	13	White/Green	白/綠	12	Red/Blue	紅/藍	11	Gray/Pink	灰/粉	10	Violet	紫	9	Red	紅	8	Gray	灰	7	Black	黑	6	Yellow	黃	5	Pink	粉	4	Green	綠	3	White	白	2	Blue	藍	1	Brown	棕
10	Violet	紫																																																																																																																						
9	Black	黑																																																																																																																						
8	Red	紅																																																																																																																						
7	Blue	藍																																																																																																																						
6	Pink	粉																																																																																																																						
5	Gray	灰																																																																																																																						
4	Yellow	黃																																																																																																																						
3	Green	綠																																																																																																																						
2	Brown	棕																																																																																																																						
1	White	白																																																																																																																						
12	Red/Blue	紅/藍																																																																																																																						
11	Gray/Pink	灰/粉																																																																																																																						
10	Violet	紫																																																																																																																						
9	Black	黑																																																																																																																						
8	Red	紅																																																																																																																						
7	Blue	藍																																																																																																																						
6	Pink	粉																																																																																																																						
5	Gray	灰																																																																																																																						
4	Yellow	黃																																																																																																																						
3	Green	綠																																																																																																																						
2	Brown	棕																																																																																																																						
1	White	白																																																																																																																						
17	White/Gray	白/灰																																																																																																																						
16	Yellow/Brown	黃/棕																																																																																																																						
15	White/Yellow	白/黃																																																																																																																						
14	Brown/Green	棕/綠																																																																																																																						
13	White/Green	白/綠																																																																																																																						
12	Red/Blue	紅/藍																																																																																																																						
11	Gray/Pink	灰/粉																																																																																																																						
10	Violet	紫																																																																																																																						
9	Red	紅																																																																																																																						
8	Gray	灰																																																																																																																						
7	Black	黑																																																																																																																						
6	Yellow	黃																																																																																																																						
5	Pink	粉																																																																																																																						
4	Green	綠																																																																																																																						
3	White	白																																																																																																																						
2	Blue	藍																																																																																																																						
1	Brown	棕																																																																																																																						
C	Pin #	Wire	Pin #	Wire	Pin #	Wire																																																																																																																		
B																																																																																																																								
	10Pin		12Pin		17Pin																																																																																																																			
Pin Assignments Front View(10~17PIN)																																																																																																																								
A	UNIT:mm			TITLE XLOK, A-1.5A, FRONT FASTENED M, M, SOLDER, PUSH LOCK		ITEM NO		DRAWN BY	DATE																																																																																																															
TOLERANCE		SCALE 1:1	SIZE A4	SHEET 2 OF 2		DWG NO AZ-XXPMMS-QC8AXX		CHECKED BY Neo	DATE 2023/10/05																																																																																																															
		REV. C	WC-REV. .0	QC: Inspection item		CUSTOMER ALTW		APPROVED BY Fred	DATE 2023/10/05																																																																																																															
<div style="display: flex; justify-content: space-between; align-items: center;"> <div style="text-align: center;"> <h2 style="margin: 0;">Amphenol LTW</h2> <p style="margin: 0;">安費諾亮泰企業股份有限公司</p> </div> <div style="text-align: right;"> <p style="margin: 0;">AZ-XXPMMS-QC8AXX</p> <p style="margin: 0;">XX: No. Of Pin</p> <p style="margin: 0;">XX:L=100~1500mm 10:L=100mm 15:L=150mm : 95:L=950mm Wire Pitch Unit=50mm</p> <p style="margin: 0;">A0:L=1000mm A1:L=1100mm : A5:L=1500mm Wire Pitch Unit=100mm</p> </div> </div>																																																																																																																								
	1	2	3	4	5	6	7	8																																																																																																																