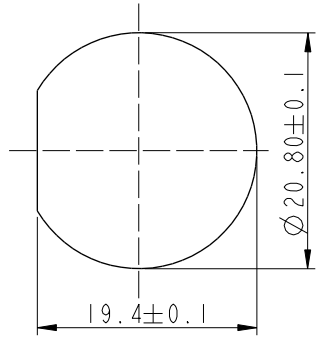


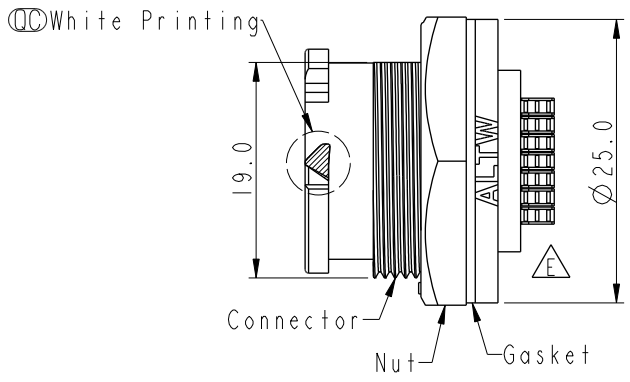
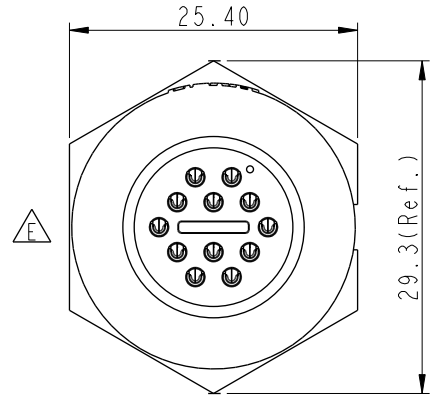
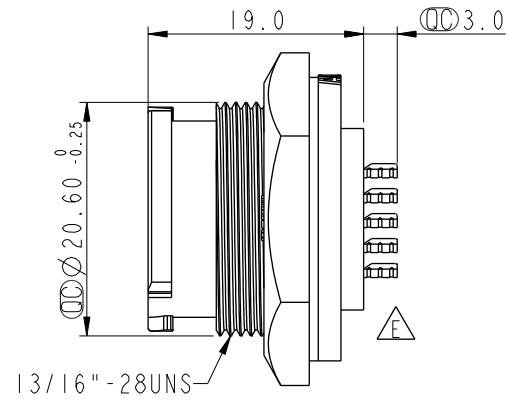
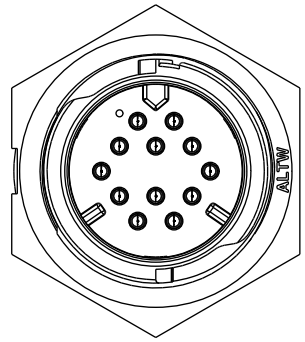
THIS DOCUMENT IS SUBJECT TO CHANGE WITHOUT NOTICE. IT IS CONFIDENTIAL AND A PROPERTY OF Amphenol LTW. DISCLOSURE TO THIRD PARTY HAS TO BE AUTHORIZED BY Amphenol LTW.

REV.	ECN NO.	DATE	SIGN	DESCRIPTION
C	C220628	2022/05/10	Vicky	△C X4
D	C230087	2023/01/31	Vicky	△D X1
E	C230795	2023/06/20	Vicky	△E X3

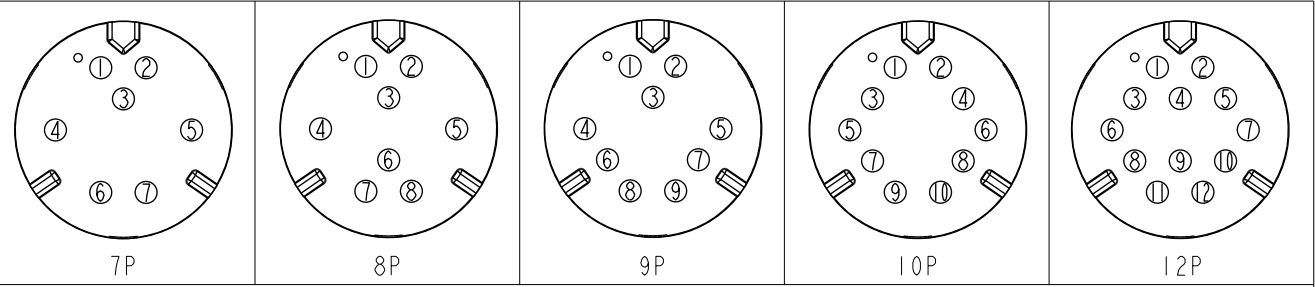
△C CD-XXPMS-QC8001  
 XX: No. Of Pin



Recommended Panel Cut-Out



- Note:
- \* RoHS Compliant
  - \* Ⓞ Important dimension
  - \* Waterproof rate: IP68, unmated 1m/24h
  - \* Connector
    - Housing: Thermoplastic, Black
    - Pin: Copper Alloy, Gold plated
    - \* Nut: Thermoplastic, Black
    - \* Gasket: Rubber, Gray
    - \* Use with waterproof cap or dust cap
    - Panel thickness max: 3.0mm
    - \* Use without waterproof cap or dust cap
    - Panel thickness max: 4.2mm
    - \* Gasket and nut are packed separately in pe bag



Pin Assignments Front View

UNIT: mm

TOLERANCE	
.X	±0.25
.XX	±0.1
.XXX	±0.05
ANGLES	±1°

TITLE XLOK, C-5A, FRONT FASTENED M, M, SOLDER, PUSH LOCK			
SCALE	SIZE	SHEET OF	
3:2	A4	1 OF 1	
REV.	WC-REV.	Ⓞ: Inspection item	
E	A.2		

**Amphenol LTW**  
 安費諾亮泰企業股份有限公司

ITEM NO.	DRAWN BY	DATE
	Vicky	2019-03-21
DWG NO.	CHECKED BY	DATE
△C CD-XXPMS-QC8001	Rita	2019-03-21
CUSTOMER	APPROVED BY	DATE
ALTW	Max	2019-03-21