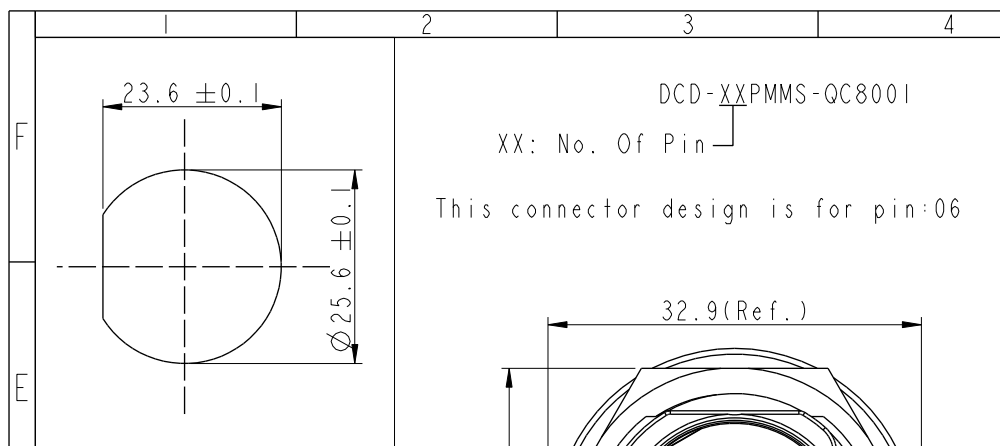
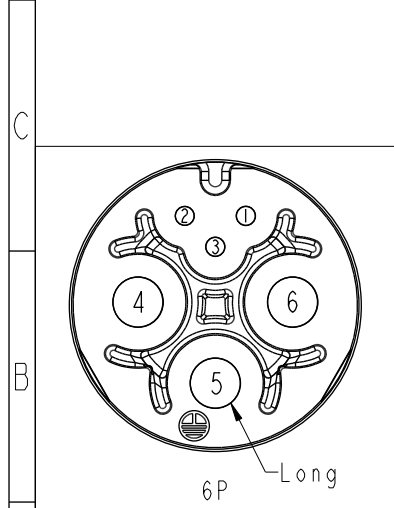
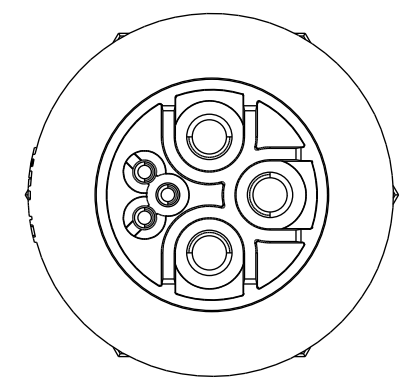
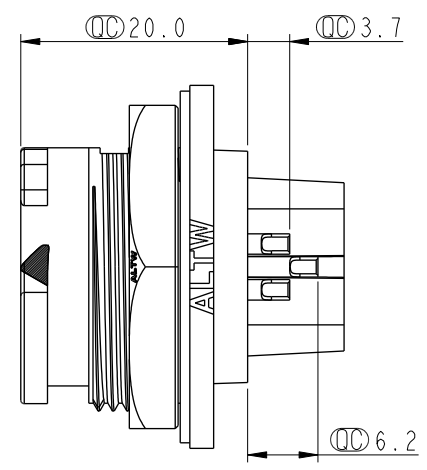
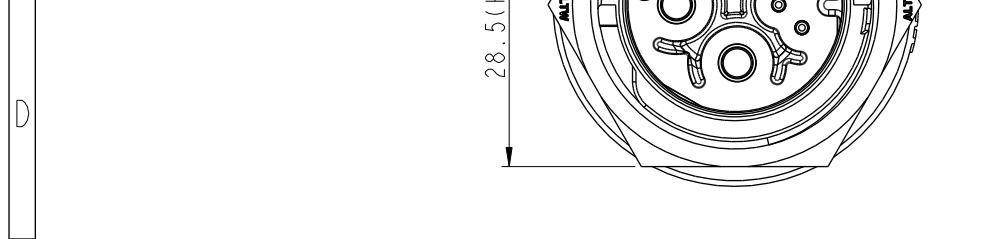


THIS DOCUMENT IS SUBJECT TO CHANGE WITHOUT NOTICE. IT IS CONFIDENTIAL AND A PROPERTY OF Amphenol LTW. DISCLOSURE TO THIRD PARTY HAS TO BE AUTHORIZED BY Amphenol LTW.

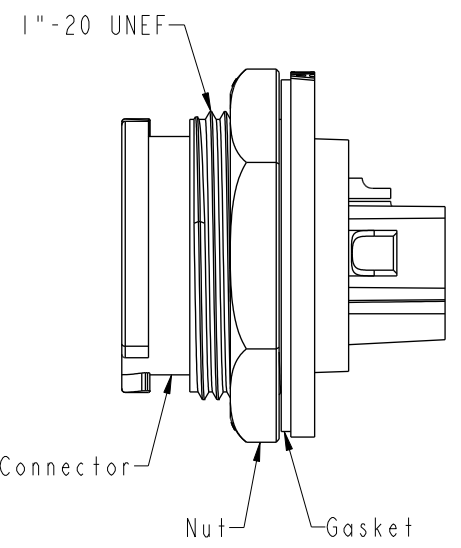
REV.	ECN NO.	DATE	SIGN	DESCRIPTION
C	C190403	2019/03/15	Vicky	Change Note
D	C220628	2022/05/11	Vicky	$\triangle D$ X3
E	C230175	2023/02/13	Vicky	$\triangle E$ X2



Recommended Panel Cut-Out



Pin Assignments Front View



- Note:
- * RoHS Compliant
 - * QC Important dimension
 - $\triangle E$ * Waterproof rate: IP68, unmated 1m/24h
 - * Connector
 - Housing: Thermoplastic, Black
 - Pin-1: Copper Alloy, Gold plated
 - $\triangle D$ Pin-2: Copper Alloy, Nickel plated
 - * Nut: Thermoplastic, Black
 - * Gasket: Rubber, Gray
 - * Use with waterproof cap or dust cap
 - Panel thickness max: 2.6mm
 - * Use without waterproof cap or dust cap
 - Panel thickness max: 3.6mm
 - * Gasket and nut are packed separately in pe bag

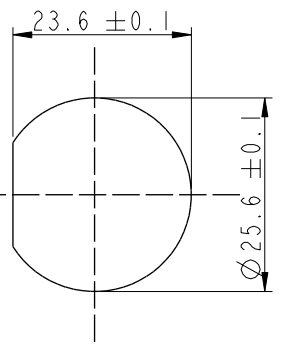
UNIT: mm			TITLE XLOK, D-20A+5A, FRONT FASTENED M, M, SOLDER, PUSH LOCK
TOLERANCE	.X ±0.25	.XX ±0.1	SCALE 1:1
.XXX ±0.05	ANGLES ±1°	SIZE A4	SHEET 1 OF 2
REV. E	WC-REV. .0	QC : Inspection item	

Amphenol LTW
安費諾亮泰企業股份有限公司

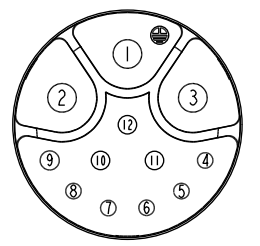
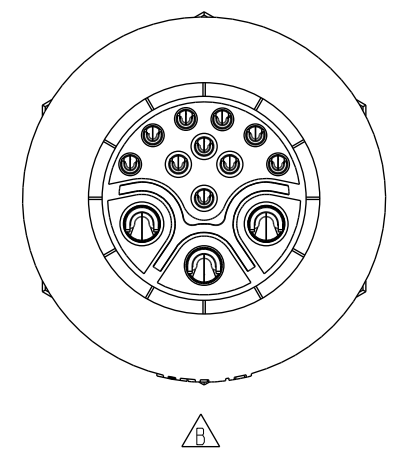
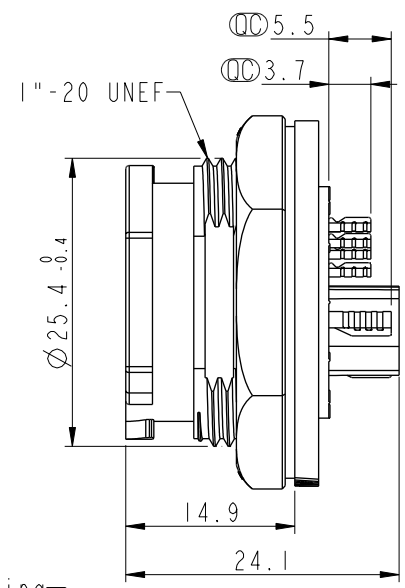
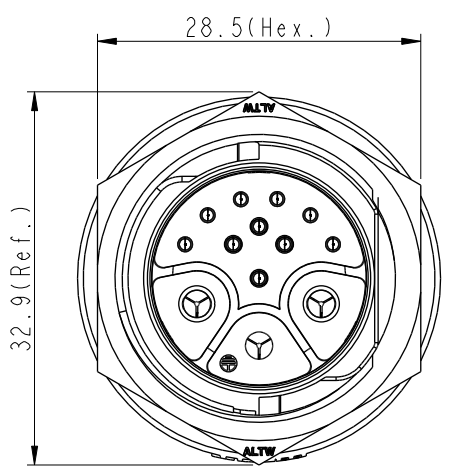
ITEM NO	DRAWN BY Vicky	DATE 2019-03-15
DWG NO DCD-XXPMMS-QC8001	CHECKED BY Rita	DATE 2019-03-15
CUSTOMER ALTW	APPROVED BY Max	DATE 2019-03-15

THIS DOCUMENT IS SUBJECT TO CHANGE WITHOUT NOTICE. IT IS CONFIDENTIAL AND A PROPERTY OF Amphenol LTW. DISCLOSURE TO THIRD PARTY HAS TO BE AUTHORIZED BY Amphenol LTW.

This connector design is for pin: 7 ~ 12



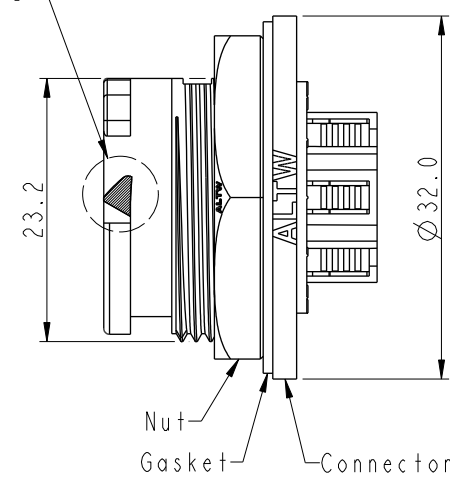
Recommended Panel Cut-Out



12P

Pin Assignments Front View

☉ White Printing



- Note:
- * RoHS Compliant
 - * ☉ Important dimension
 - * Waterproof rate: IP68, unmated 1m/24h
 - * Connector
 - Housing: Thermoplastic, Black
 - Pin: Copper Alloy, Gold plated
 - * Nut: Thermoplastic, Black
 - * Gasket: Rubber, Gray
 - * Use with waterproof cap or dust cap
 - Panel thickness max: 2.6mm
 - * Use without waterproof cap or dust cap
 - Panel thickness max: 3.6mm
 - * Gasket and nut are packed separately in pe bag

UNIT: mm		
TOLERANCE	.X ±0.25	
.XX ±0.1		
.XXX ±0.05		
ANGLES	±1°	

TITLE XLOK, D-20A+5A, FRONT FASTENED M, M, SOLDER, PUSH LOCK			
SCALE 3:2	SIZE A4	SHEET 2 OF 2	
REV. E	WC-REV. A.3	☉ Inspection item	

Amphenol LTW
安費諾亮泰企業股份有限公司

ITEM NO	DRAWN BY Vicky	DATE 2019-03-15
DWG NO DCD-XXPMMS-QC8001	CHECKED BY Rita	DATE 2019-03-15
CUSTOMER ALTW	APPROVED BY Max	DATE 2019-03-15