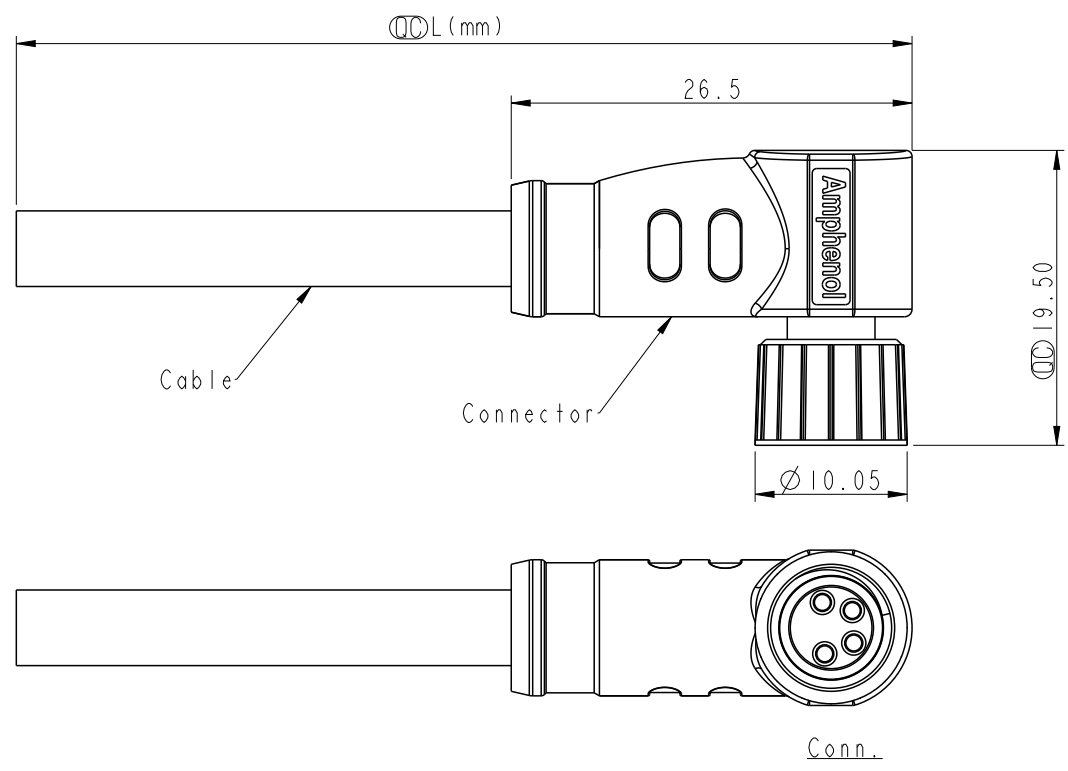


THIS DOCUMENT IS SUBJECT TO CHANGE WITHOUT NOTICE. IT IS CONFIDENTIAL AND A PROPERTY OF Amphenol LTW. DISCLOSURE TO THIRD PARTY HAS TO BE AUTHORIZED BY Amphenol LTW.

REV.	ECN NO.	DATE	SIGN	DESCRIPTION
A		2023/12/28	Yunchen	Rev.01 to Rev.A



- Note:
- * RoHS Compliant
 - * \varnothing Important dimension
 - * Waterproof rate: IP67, mated.
 - * Connector
 - Housing: Thermoplastic, Black.
 - Pin: Copper alloy, Gold plated.
 - O-Ring: Rubber, Gray.
 - Nut: Metal.
 - Outer mold: Thermoplastic, Black.
 - * Cable: UL2517, PVC Jacket, Black.
 - * Cable length tolerance:

1M < L ≤ 3M	+50/-0 mm
3M < L ≤ 5M	+150/-0 mm
5M < L ≤ 10M	±100 mm
10M < L ≤ 20M	±200 mm
20M < L ≤ 30M	±300 mm
30M < L ≤ 99M	±500 mm

UNIT: mm TOLERANCE ±0.5mm	TITLE N SEN, M8, SCREW CABLE W/O SR, F, F, MOLDING		
	SCALE 2:1	SIZE A4	SHEET 1 OF 2
	REV. A	WC-REV. .0	\varnothing : Inspection item

Amphenol LTW
安費諾亮泰企業股份有限公司

ITEM NO.	DRAWN BY Yunchen	DATE 2023/12/28
DWG NO. M8-XXBFFM-SR7DXX	CHECKED BY Neo	DATE 2023/12/28
CUSTOMER ALTW	APPROVED BY Fred	DATE 2023/12/28

THIS DOCUMENT IS SUBJECT TO CHANGE WITHOUT NOTICE. IT IS CONFIDENTIAL AND A PROPERTY OF Amphenol LTW. DISCLOSURE TO THIRD PARTY HAS TO BE AUTHORIZED BY Amphenol LTW.

1 2 3 4 5 6 7 8

F

E

D

C

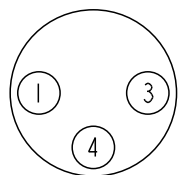
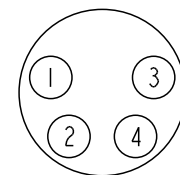
B


A

M8-XXBFFM-SR7DXX

XX: No. Of Pin

XX: 01~99Meters
 01: 01 Meter
 02: 02 Meters
 :
 99: 99 Meters

Pin Out	4 Black 黑 3 Blue 藍 1 Brown 棕 Pin # Wire	4 Black 黑 3 Blue 藍 2 White 白 1 Brown 棕 Pin # Wire
Conn.	 3P	 4P
Pin Assignments Front View		

UNIT:mm		TITLE N SEN, M8, SCREW CABLE W/O SR, F, F, MOLDING	
TOLERANCE ±0.5mm	SCALE 2:1	SIZE A4	SHEET 2 OF 2
	REV. A	WC-REV. .0	☉: Inspection item

Amphenol LTW
 安費諾亮泰企業股份有限公司

ITEM NO	DRAWN BY Yunchen	DATE 2023/12/28
DWG NO M8-XXBFFM-SR7DXX	CHECKED BY Neo	DATE 2023/12/28
CUSTOMER ALTW	APPROVED BY Fred	DATE 2023/12/28

1 2 3 4 5 6 7 8 W10814-03-2001A2