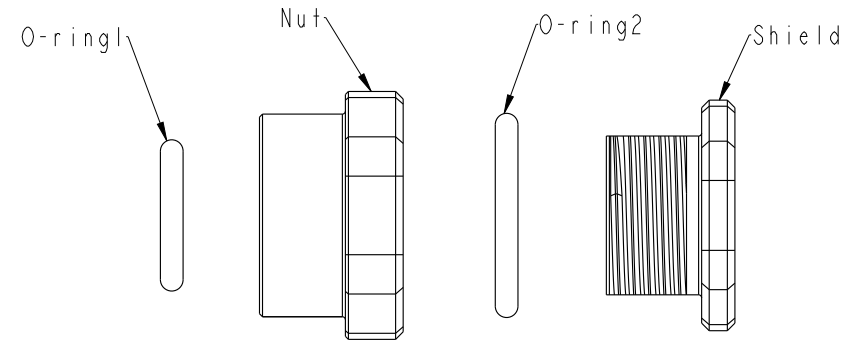
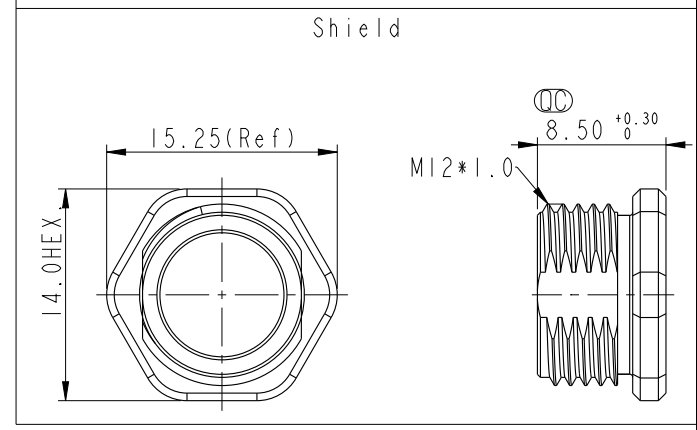
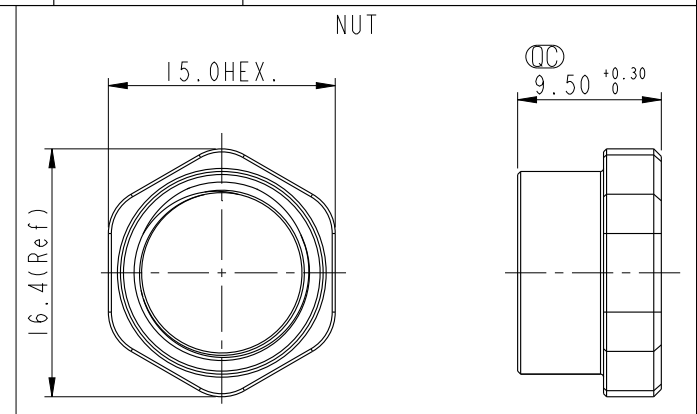


THIS DOCUMENT IS SUBJECT TO CHANGE WITHOUT NOTICE. IT IS CONFIDENTIAL AND A PROPERTY OF Amphenol LTW. DISCLOSURE TO THIRD PARTY HAS TO BE AUTHORIZED BY Amphenol LTW.

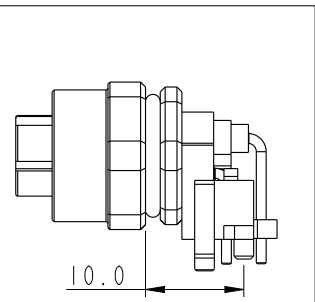
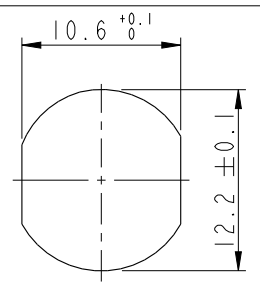
REV.	ECN NO.	DATE	SIGN	DESCRIPTION
A		2024/01/04	Xiaofeng	New Initial
B	C240048	2024/01/09	Xiaofeng	$\triangle B \times 2$



$\triangle B$



$\triangle B$



Recommended Panel Cut-out

- Note:
- * \textcircled{C} Important Dimension.
 - * Shield: Metal.
 - * Nut: Metal.
 - * O-Ring1: Rubber, Gray.
 - * O-Ring2: Rubber, Gray.
 - * For Panel Thickness Max 3.0mm.
 - * Recommended Nut Torque: 5-8kgf.cm.
 - * Nut is packed separately in PE bag.

UNIT: mm		TITLE		<h1>Amphenol LTW</h1> <p>安費諾亮泰企業股份有限公司</p>	ITEM NO	DRAWN BY	DATE
		ACC, SEN, METAL			APPM-AAFA012-005	Xiaofeng	2024/01/09
TOLERANCE		SCALE	SIZE	SHEET	DWG NO	CHECKED BY	DATE
.X ±0.25		2:1	A4	1 OF 1	APPM-AAFA012-005	Jerry	2024/01/09
.XX ±0.1		REV.	WC-REV.	\textcircled{C} : Inspection item	CUSTOMER	APPROVED BY	DATE
.XXX ±0.05		B	A.1		ALTW	Fred	2024/01/09
ANGLES ±1°							