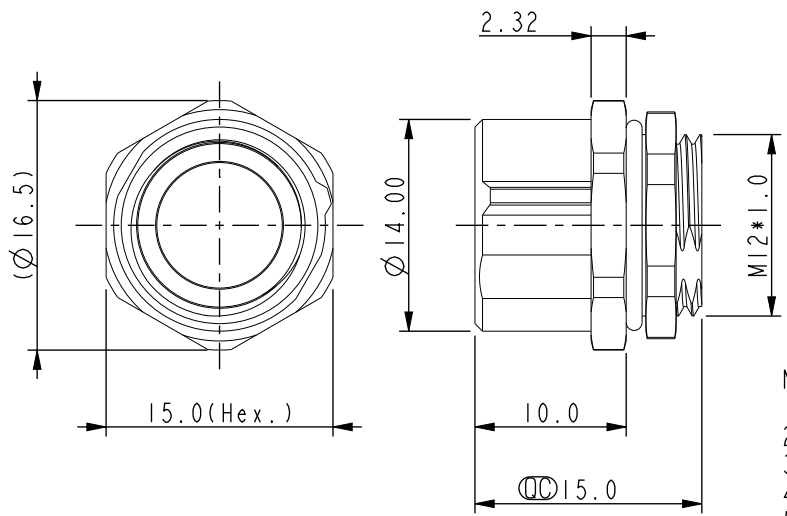
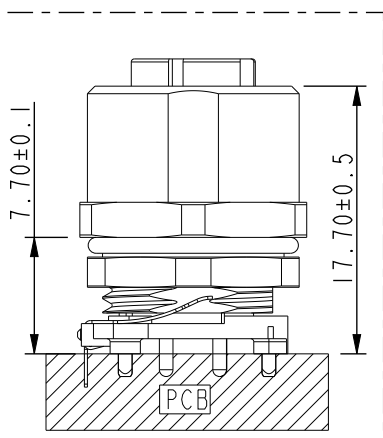
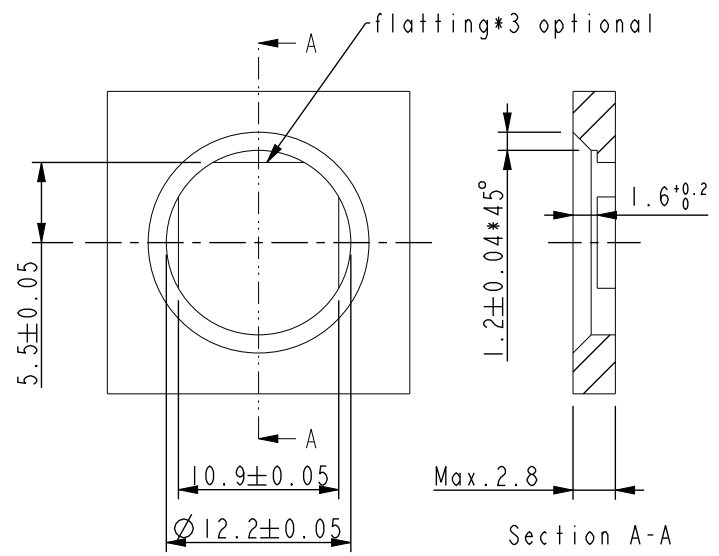
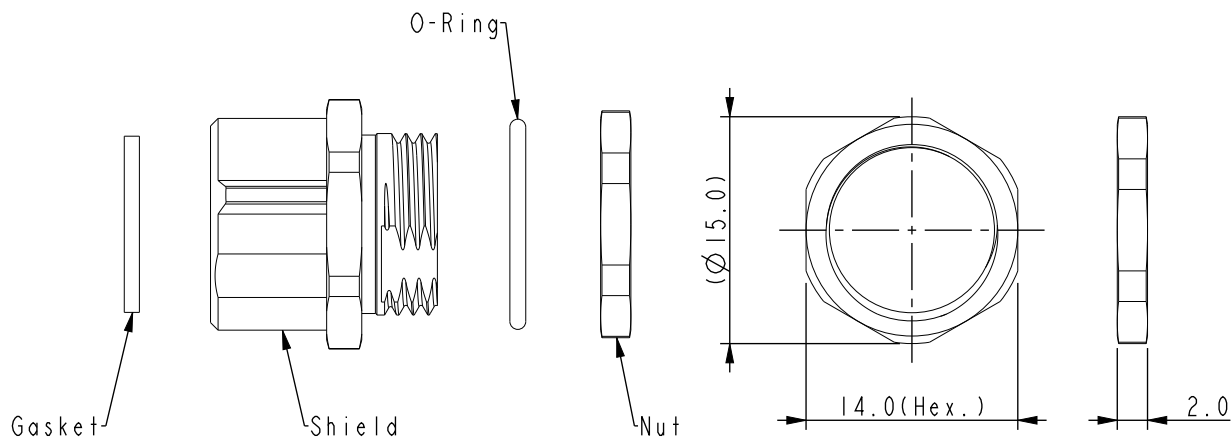
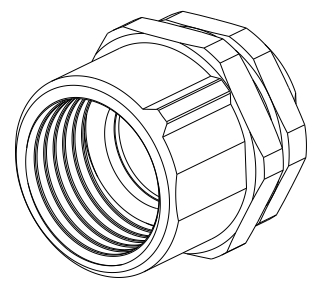


REV.	ECN NO.	DATE	SIGN	DESCRIPTION
A		2024/01/05	Hubert	Rev.01 to Rev.A



Recommended Panel Cut-out



- Note:
- 1.Shield: Metal.
  - 2.Nut: Metal.
  - 3.Gasket: Rubber, Black.
  - 4.O-Ring: Rubber, Gray.
  - 5.For Panel Thickness Max 2.8mm.
  - 6.Nut is packed separately in PE bag

Recommend assembly position.

UNIT: mm		
TOLERANCE		
.X	±0.25	
.XX	±0.1	
.XXX	±0.05	
ANGLES	±1°	

TITLE M12 PCB Straight Female Rear Fastened Hexagonal Nut Package			
SCALE 2:1	SIZE A4	SHEET 1 OF 1	
REV. A	WC-REV. A.1	QC: Inspection item	

**Amphenol LTW**  
安費諾亮泰企業股份有限公司

ITEM NO. APPM-AAFA012-013	DWG NO. APPM-AAFA012-013
CUSTOMER ALTW	

DRAWN BY Hubert	CHECKED BY Neo	APPROVED BY Fred
--------------------	-------------------	---------------------

DATE 2024/01/05	DATE 2024/01/05	DATE 2024/01/05
--------------------	--------------------	--------------------

THIS DOCUMENT IS SUBJECT TO CHANGE WITHOUT NOTICE. IT IS CONFIDENTIAL AND A PROPERTY OF Amphenol LTW. DISCLOSURE TO THIRD PARTY HAS TO BE AUTHORIZED BY Amphenol LTW.