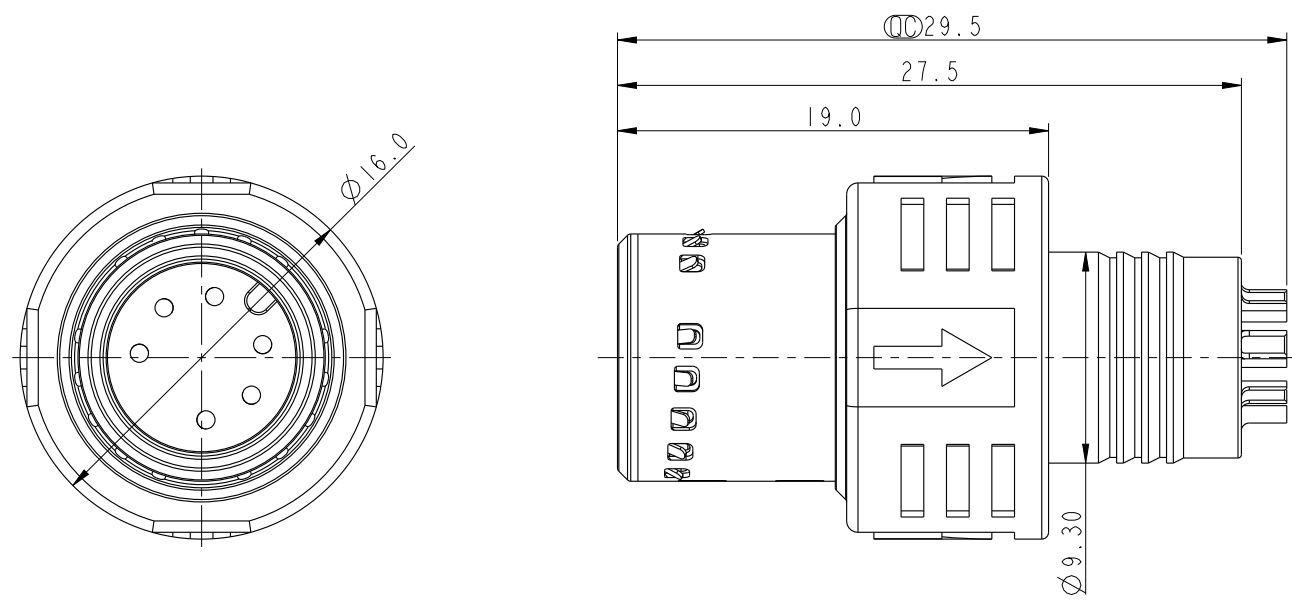


THIS DOCUMENT IS SUBJECT TO CHANGE WITHOUT NOTICE. IT IS CONFIDENTIAL AND A PROPERTY OF Amphenol LTW. DISCLOSURE TO THIRD PARTY HAS TO BE AUTHORIZED BY Amphenol LTW.

REV.	ECN NO.	DATE	SIGN	DESCRIPTION
A	Initial Released	2024-01-02	Lavy	Change Rev.01 to A



Note:  
 \* RoHS Compliant  
 \*  $\varnothing$  Important Dimension  
 \* Connector  
 Housing: Thermoplastic, Black  
 Pin: Copper Alloy, Gold plated  
 Shield: Metal  
 Slider: Thermoplastic, Black

F	2	3	4	5	6	7	8			
E										
D										
C										
B										
A	UNIT: mm TOLERANCE .X ±0.25 .XX ±0.1 .XXX ±0.05 ANGLES ±1°			TITLE ACC, SEN, A CODE, SOLDER M12 A 06		Amphenol LTW 安費諾亮泰企業股份有限公司		ITEM NO APPM-A06MAPAN-ASI	DRAWN BY Lavy	DATE 2024-01-02
	SCALE 3:1		SIZE A4		SHEET 1 OF 1		DWG NO APPM-A06MAPAN-ASI	CHECKED BY Jerry	DATE 2024-01-02	
	REV. A		WC-REV.		$\varnothing$ : Inspection item		CUSTOMER ALTW	APPROVED BY Fred Lee	DATE 2024-01-02	
	2	3	4	5	6	7	8			