

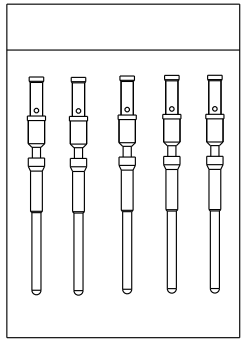
REV.	ECN NO.	DATE	SIGN	DESCRIPTION
A		2024/01/06	Xiaofeng	New Initial
B	C240675	2024/06/12	Xiaofeng	$\triangle B$ XI

MSAS-XXBMMC-SL7002

XX: No. Of Pin

M12*1.0

$\triangle B$



PE Bag

Connector

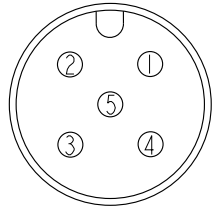
Clamp Ring

O-Ring

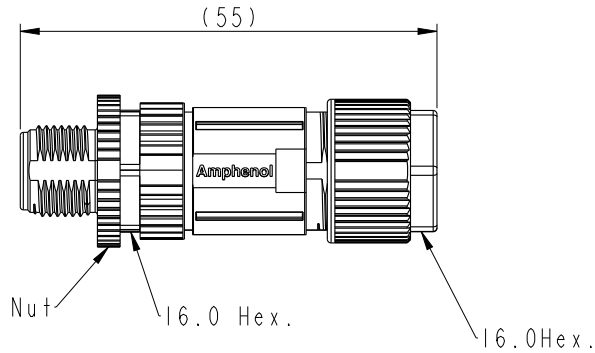
Clamp Cage

Seal

Sealing Nut



Pin Assignments
Front View



Note:

- * RoHS Compliant
- * $\text{\textcircled{C}}$ Important Dimension
- * Waterproof rate: IP67, mated
- * Connector
 - Housing: Thermoplastic, Black
 - Pin: Copper alloy, Gold plated
 - Nut: Metal
 - O-Ring: Rubber, Gray
- * Clamp Ring: Metal
- * O-Ring: Rubber, Gray
- * Clamp Cage: Thermoplastic, Black
- * Sealing Nut: Metal
- * Applicable wire gauge: 26~28AWG
- * Seal: Rubber, Gray, OD: $\varnothing 4.0\text{mm} \sim \varnothing 7.5\text{mm}$
- * One set unassembled in one pe bag

UNIT:mm		
TOLERANCE	± 0.5	

TITLE SEN, CONN, FI, M12A MM, SCREW, IEND			
SCALE Free	SIZE A4	SHEET 1 OF 1	
REV. B	WC-REV. .0	$\text{\textcircled{C}}$: Inspection item	

Amphenol LTW
安費諾亮泰企業股份有限公司

ITEM NO	DRAWN BY Xiaofeng	DATE 2024/06/12
DWG NO MSAS-XXBMMC-SL7002	CHECKED BY Jerry	DATE 2024/06/12
CUSTOMER ALTW	APPROVED BY Fred	DATE 2024/06/12

THIS DOCUMENT IS SUBJECT TO CHANGE WITHOUT NOTICE. IT IS CONFIDENTIAL AND A PROPERTY OF Amphenol LTW. DISCLOSURE TO THIRD PARTY HAS TO BE AUTHORIZED BY Amphenol LTW.