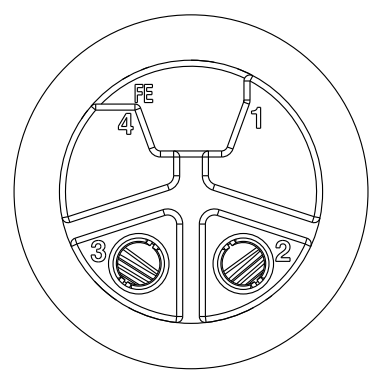
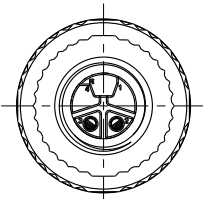
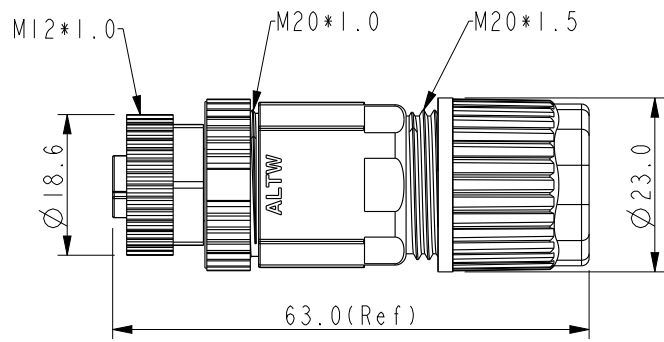
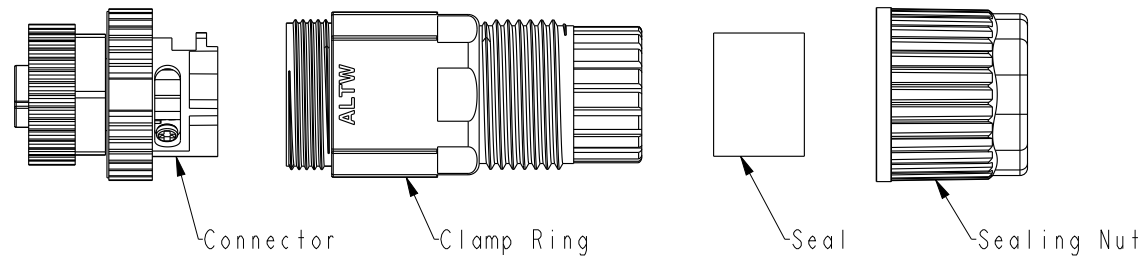


THIS DOCUMENT IS SUBJECT TO CHANGE WITHOUT NOTICE. IT IS CONFIDENTIAL AND A PROPERTY OF AMPHENOL LTW. DISCLOSURE TO THIRD PARTY HAS TO BE AUTHORIZED BY AMPHENOL LTW.

REV.	ECN NO.	DATE	SIGN	DESCRIPTION
B	C201422	2020-09-16	Allen Pan	B x1
C	C210561	2021-04-13	Vicky	C x4
D	C240215	2024-02-28	Xian Kun	D x1

△ M12L-XXBFFB-SL7001
 XX:NO. Of Pin
 (02,05.....)



Pin Assignments
Front View

- △ Notes:
- * RoHS Compliant
 - * Ⓞ Important Dimension
 - * Waterproof Rate: IP67, Mated.
 - * Connector
 - Housing: Thermoplastic, Black.
 - Pin: Copper Alloy, Gold Plated.
 - O-Ring: Rubber, Gray.
 - Nut: Metal.
 - Screw: Metal.
 - * Clamp Ring: Thermoplastic, Black.
 - * Sealing Nut: Thermoplastic, Black.
 - * Seal: Rubber.
 - 1.Black. For Cable OD: Ø12.0mm~14.0mm.
 - 2.Gray. For Cable OD: Ø10.0mm~12.0mm.
 - 3.Black. For Cable OD: Ø8.0mm~10.0mm.
 - * One set unassembled in one bag

UNIT:mm		
TOLERANCE	±0.25	△
.xx	±0.10	
.xxx	±0.05	
ANGLES	±1°	

TITLE N SEN, M12 L, SCREW CABLE W/O SR, F, F, FI SCREW IN			
SCALE 1:1	SIZE A4	SHEET 1 OF 1	
REV. D	WC-REV. A.10	Ⓞ: Inspection item	

Amphenol LTW
 安費諾亮泰企業股份有限公司

ITEM NO	DRAWN BY Xian Kun	DATE 2024/02/21
DWG NO M12L-XXBFFB-SL7001	CHECKED BY Xiao Feng	DATE 2024/02/21
CUSTOMER ALTW	APPROVED BY Jerry	DATE 2024/02/21