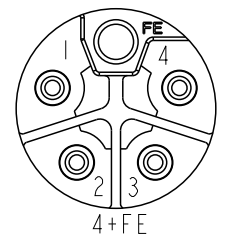
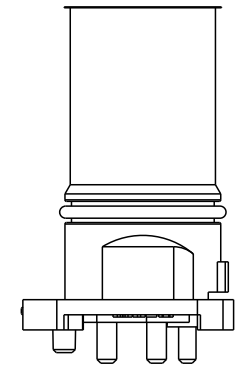
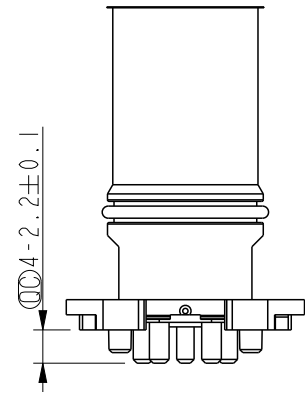
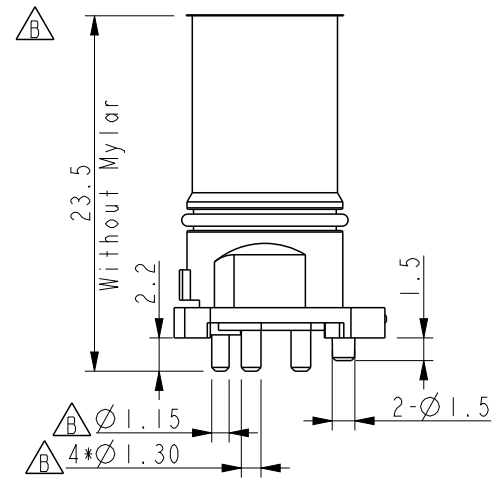
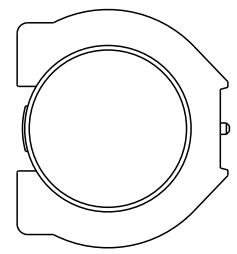
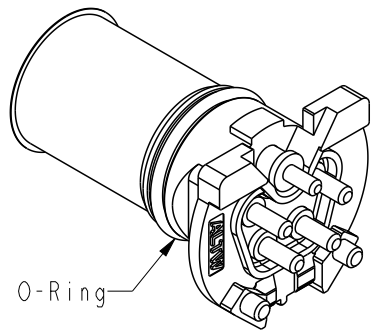
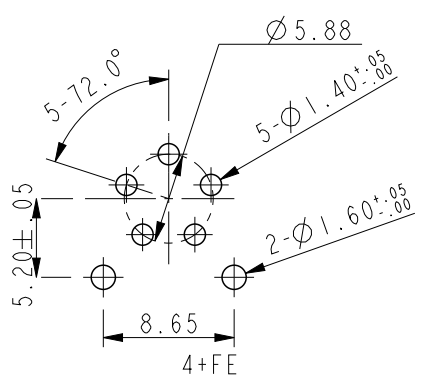


THIS DOCUMENT IS SUBJECT TO CHANGE WITHOUT NOTICE. IT IS CONFIDENTIAL AND A PROPERTY OF AMPHENOL LTW. DISCLOSURE TO THIRD PARTY HAS TO BE AUTHORIZED BY AMPHENOL LTW.

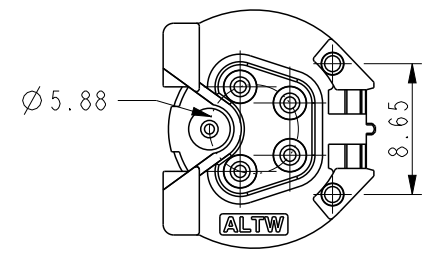
REV.	ECN NO.	DATE	SIGN	DESCRIPTION
A		2024/02/20	Yunchen	Rev.05 to Rev.A
B	C240752	2024/06/20	Yunchen	$\triangle B \times 3$
C	C241063	2024/09/18	Yunchen	$\triangle C \times 4$



Pin Assignment Front View



Recommended PCB. Layout



M12L-XXPMEP-EE0001
 XX: No. of Pin

- Note:
- * RoHS Compliant
 - * ⌀ Important dimension
 - * Waterproof rate: Non-Waterproof
 - * Connector
 - Housing: Thermoplastic, Black
 - Pin: Copper alloy, Gold plated
 - * O-Ring: Rubber, Black
 - * For panel thickness max: 4.0mm
 - * For pcb thickness: 1.6mm
 - * Mylar: PI, Amber

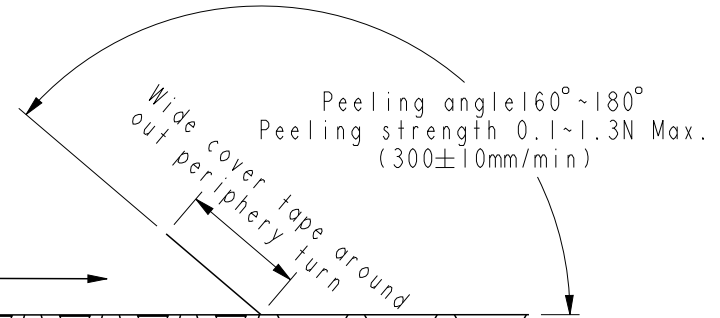
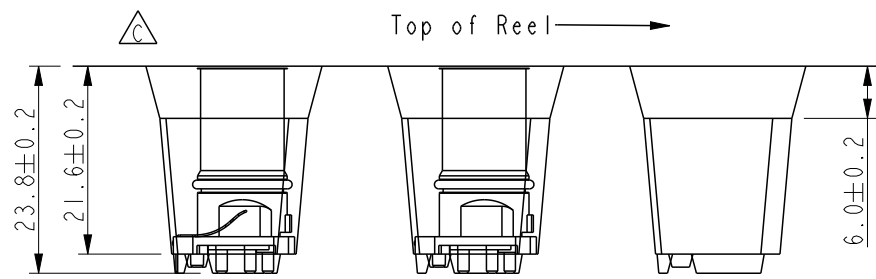
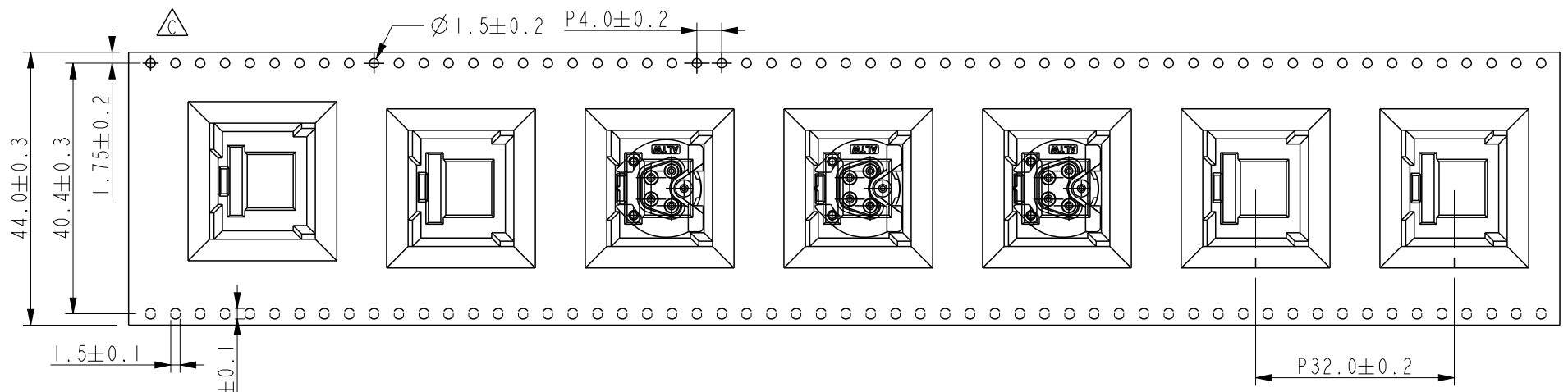
UNIT: mm		
TOLERANCE	.X	±0.25
	.XX	±0.1
	.XXX	±0.05
	.XXX	±0.05
ANGLES		±1°

TITLE N SEN, M12 L, 05P, NONE RECEPTACLE, M, M+F G, PCB S			
SCALE	2:1	SIZE	A4
SHEET	1	OF	3
REV.	C	WC-REV.	A.1
Ⓞ: Inspection item			

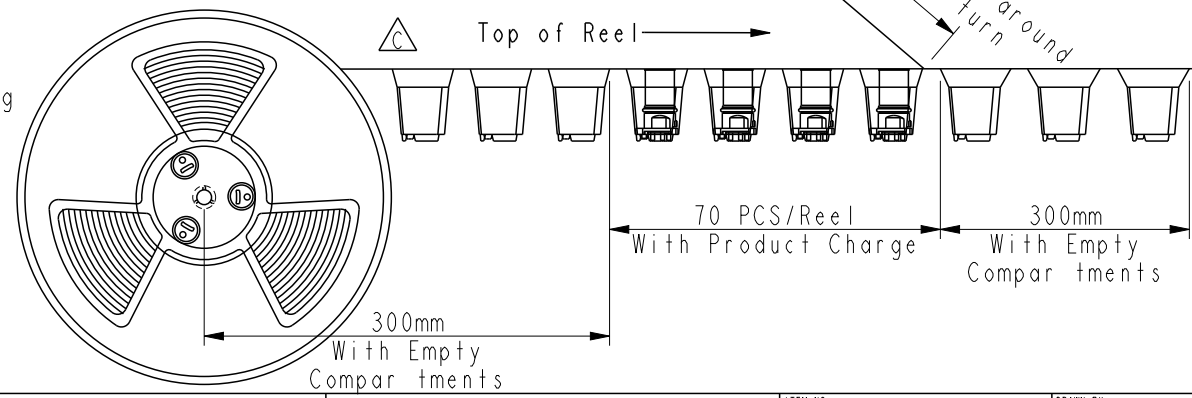
Amphenol LTW
 安費諾亮泰企業股份有限公司

ITEM NO.	BY	DATE
	Yunchen	2024/09/18
DWG NO.	CHECKED BY	DATE
M12L-XXPMEP-EE0001	Aric	2024/09/18
CUSTOMER	APPROVED BY	DATE
ALTW	Fred	2024/09/18

THIS DOCUMENT IS SUBJECT TO CHANGE WITHOUT NOTICE. IT IS CONFIDENTIAL AND A PROPERTY OF Amphenol LTW. DISCLOSURE TO THIRD PARTY HAS TO BE AUTHORIZED BY Amphenol LTW.



Note:
 * Connector Orientation follow Drawing



UNIT:mm TOLERANCE

TITLE
 N SEN, M12 L, 05P, NONE
 RECEPTACLE, M, M+F G, PCB S

Amphenol LTW
 安費諾亮泰企業股份有限公司

ITEM NO
 DWG NO
 M12L-XXPMEP-EE0001

DRAWN BY
 Yunchen
 CHECKED BY
 Aric

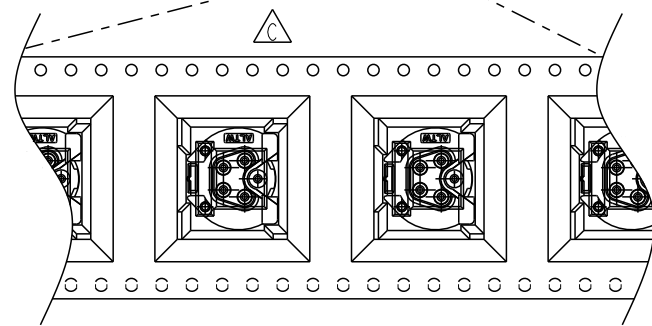
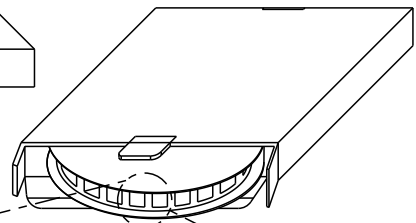
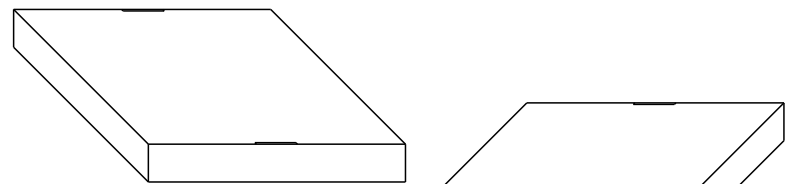
DATE
 2024/09/18
 DATE
 2024/09/18

SCALE Free SIZE A4 SHEET 2 OF 3
 REV. C WC-REV. A.1 Inspection item

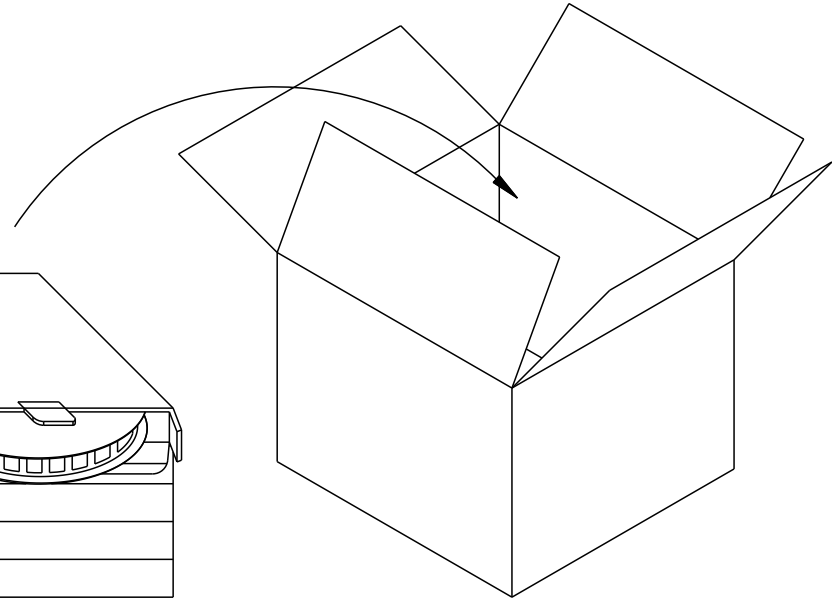
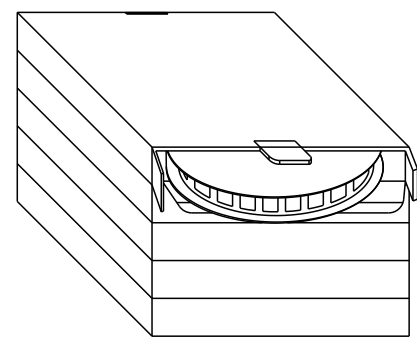
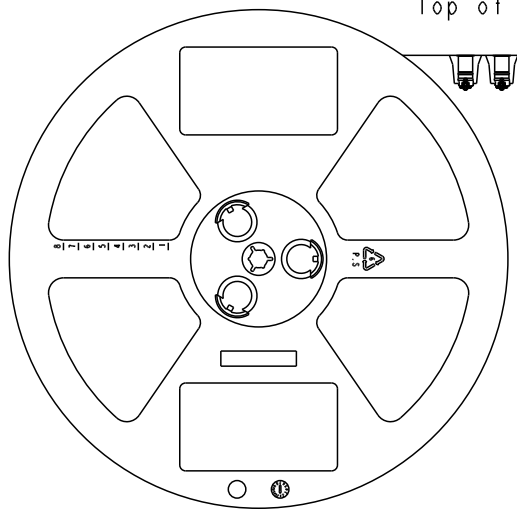
CUSTOMER
 ALTW
 APPROVED BY
 Fred

DATE
 2024/09/18

THIS DOCUMENT IS SUBJECT TO CHANGE WITHOUT NOTICE. IT IS CONFIDENTIAL AND A PROPERTY OF Amphenol LTW. DISCLOSURE TO THIRD PARTY HAS TO BE AUTHORIZED BY Amphenol LTW.



Top of Reel →



Note:
70 PCS(Connector)/Tape&Reel Put in a Box
5PCS(Max.) Box Put in a Carton

UNIT:mm TOLERANCE

TITLE
N SEN, M12 L, 05P, NONE
RECEPTACLE, M, M+F G, PCB S

Amphenol LTW

ITEM NO
DWG NO
CUSTOMER

DRAWN BY
CHECKED BY
APPROVED BY

DATE
DATE
DATE

SCALE Free SIZE A4 SHEET 3 OF 3
REV. C WC-REV. A.1 Inspection item

安費諾亮泰企業股份有限公司

ALTW

Fred

2024/09/18