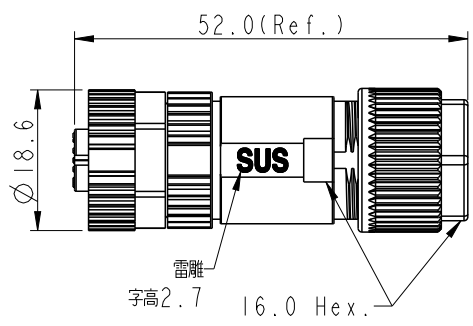
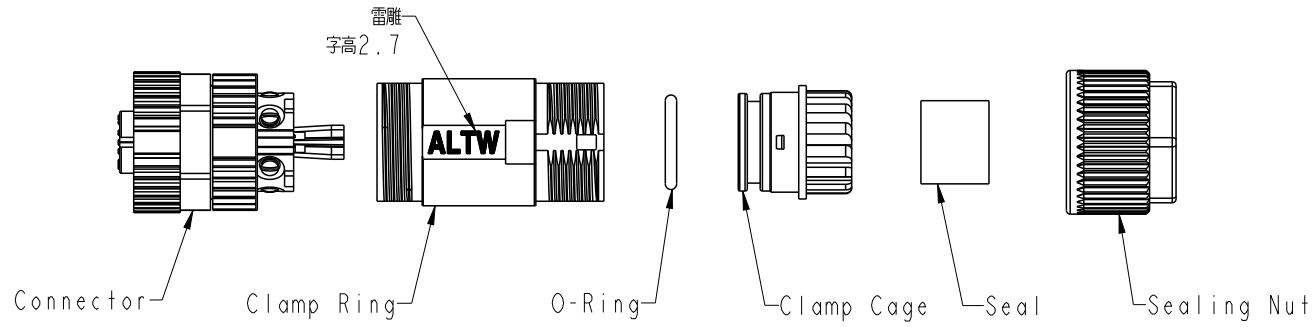


THIS DOCUMENT IS SUBJECT TO CHANGE WITHOUT NOTICE. IT IS CONFIDENTIAL AND A PROPERTY OF AMPHENOL LTW. DISCLOSURE TO THIRD PARTY HAS TO BE AUTHORIZED BY AMPHENOL LTW.

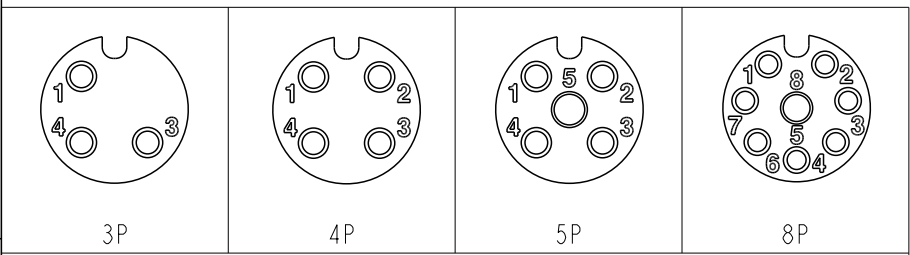
REV.	ECN NO.	DATE	SIGN	DESCRIPTION
A		2024/02/19	Yunchen	Rev.01 to Rev.A

SM12A-XXBFFB-SL7001

XX: No. Of Pin



- Note:
- * RoHS Compliant
 - * \varnothing Important Dimension
 - * Waterproof rate: IP67, mated
 - * Connector
 - Housing: Thermoplastic, Black
 - Pin: Copper alloy, Gold plated
 - Extension Nut: Metal
 - Nut: Metal
 - O-Ring: Rubber, Gray
 - * Clamp Ring: Metal
 - * O-Ring: Rubber, Gray
 - * Clamp Cage: Thermoplastic, Black
 - * Sealing Nut: Metal
 - * Seal: Rubber, Gray, OD: \varnothing 4.0mm~ \varnothing 7.5mm
 - * One set unassembled in one pe bag



Pin Assignments Front View

UNIT: mm			TITLE N SEN, M12 A-STAINLESS, SCREW CABLE W/O SR, F, F, FI SCREWIN
TOLERANCE .X ±0.25 .XX ±0.1 .XXX ±0.05 ANGLES ±1°	SCALE 1:1	SIZE A4	SHEET 1 OF 1
REV. A	WC-REV. A.3	\varnothing : Inspection item	

Amphenol LTW		ITEM NO	DRAWN BY	DATE
安費諾亮泰企業股份有限公司		DWG NO SM12A-XXBFFB-SL7001	Yunchen	2024/02/19
		CUSTOMER ALTW	CHECKED BY Neo	DATE 2024/02/19
			APPROVED BY Fred	DATE 2024/02/19