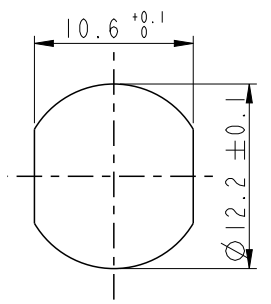


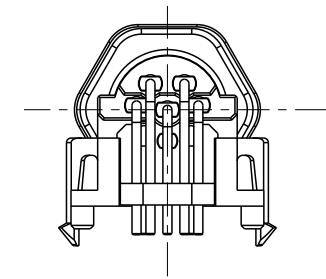
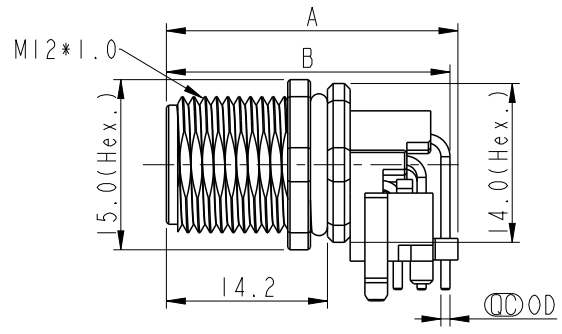
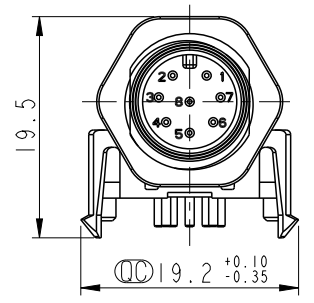
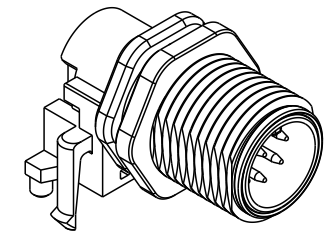
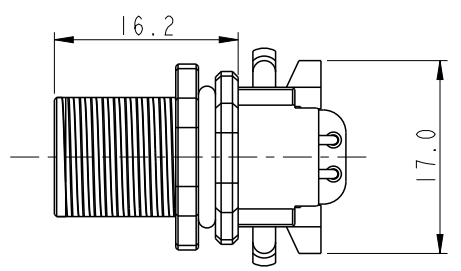
THIS DOCUMENT IS SUBJECT TO CHANGE WITHOUT NOTICE. IT IS CONFIDENTIAL AND A PROPERTY OF Amphenol LTW. DISCLOSURE TO THIRD PARTY HAS TO BE AUTHORIZED BY Amphenol LTW.

REV.	ECN NO.	DATE	SIGN	DESCRIPTION
A		2024/02/19	Yunchen	Rev.01 to Rev.A

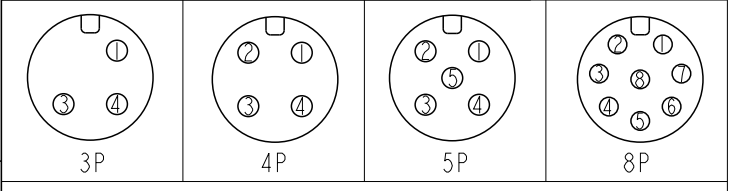


Recommended Panel Cut-Out

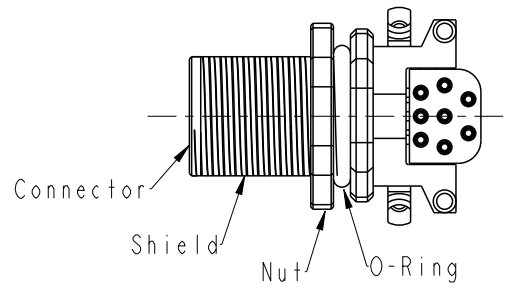
SM12A-XXPMMR-SF7003
XX: No. Of Pin



SM12A-03PMMR-SF7003	25.9	24.8	1.0
SM12A-04PMMR-SF7003	25.9	24.8	1.0
SM12A-05PMMR-SF7003	25.9	24.8	1.0
SM12A-08PMMR-SF7003	25.7	25.0	0.8
Item No.	A	B	OD



Pin Assignment Front View



- Note:
- * RoHS Compliant
 - * \varnothing Important dimension
 - * Waterproof rate: IP67, mated
 - * Connector
 - Housing: Thermoplastic, Black
 - Pin: Copper alloy, Gold plated
 - O-Ring: Rubber, Black
 - * Shield: Metal
 - * Nut: Metal
 - * O-Ring: Rubber, Gray
 - * For panel thickness max: 3.0mm
 - * For pcb thickness max: 1.6mm
 - * Nut is packed separately in pe bag

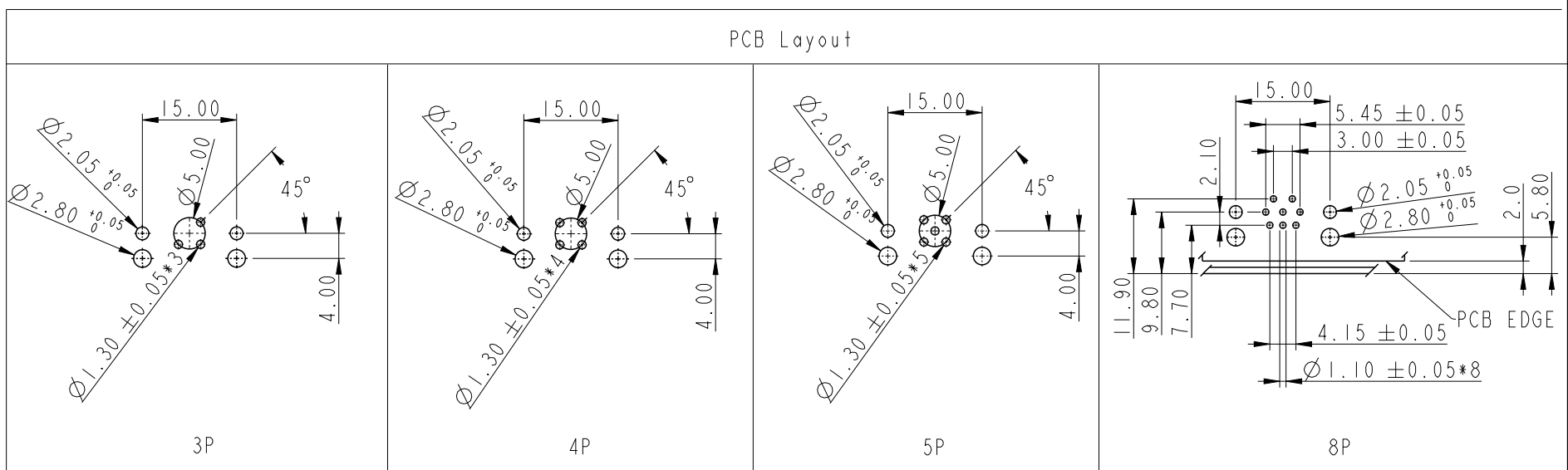
UNIT: mm			TITLE N SEN, M12 A-STAINLESS, SCREW RECEPTACLE, M, M, PCB R
TOLERANCE .X ±0.25 .XX ±0.1 .XXX ±0.05 ANGLES ±1°	SCALE 3:2	SIZE A4	SHEET 1 OF 2
REV. A	WC-REV. A.3	\varnothing : Inspection item	

Amphenol LTW
安費諾亮泰企業股份有限公司

ITEM NO.	DRAWN BY Yunchen	DATE 2024/02/19
DWG NO. SM12A-XXPMMR-SF7003	CHECKED BY Neo	DATE 2024/02/19
CUSTOMER ALTW	APPROVED BY Fred	DATE 2024/02/19

THIS DOCUMENT IS SUBJECT TO CHANGE WITHOUT NOTICE. IT IS CONFIDENTIAL AND A PROPERTY OF Amphenol LTW. DISCLOSURE TO THIRD PARTY HAS TO BE AUTHORIZED BY Amphenol LTW.

PCB Layout



3P

4P

5P

8P

UNIT: mm		
TOLERANCE	.X	±0.25
	.XX	±0.1
	.XXX	±0.05
ANGLES		±1°

TITLE N SEN, M12 A-STAINLESS, SCREW RECEPTACLE, M, M, PCB R		
SCALE 3:2	SIZE A4	SHEET 2 OF 2
REV. A	WC-REV. A.3	: Inspection item

Amphenol LTW
安費諾亮泰企業股份有限公司

ITEM NO	DWG NO SM12A-XXPMMR-SF7003
CUSTOMER ALTW	

DRAWN BY Yunchen	CHECKED BY Neo
APPROVED BY Fred	

DATE 2024/02/19	DATE 2024/02/19
DATE 2024/02/19	DATE 2024/02/19