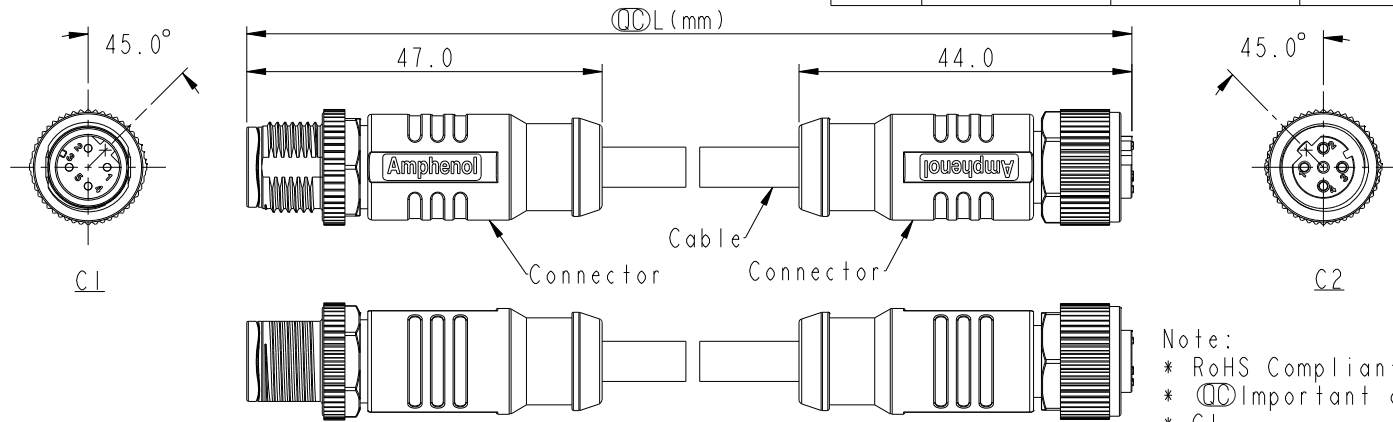


THIS DOCUMENT IS SUBJECT TO CHANGE WITHOUT NOTICE. IT IS CONFIDENTIAL AND A PROPERTY OF Amphenol LTW. DISCLOSURE TO THIRD PARTY HAS TO BE AUTHORIZED BY Amphenol LTW.

REV.	ECN NO.	DATE	SIGN	DESCRIPTION
A		2024/03/12	Zhiwei Xie	REV.02 TO REV.A
B	C240739	2024/07/03	Zhiwei Xie	$\triangle B$ *2

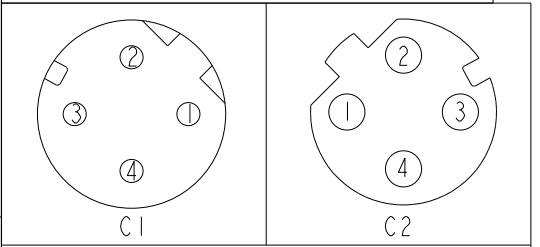


Note:

- \* RoHS Compliant
- \*  $\odot$  Important dimension
- \* C1  
Waterproof rate: IP68, mated 1m/24h  
IP69K, mated  
Housing: Thermoplastic, Black  
Pin: Copper alloy, Gold plated  
Nut: Metal  
Shield: Metal  
Outer mold: Thermoplastic, Black
- \* C2  
Waterproof rate: IP68, mated 1m/24h  
IP69K, mated  
Housing: Thermoplastic, Black  
Pin: Copper alloy, Gold plated  
O-Ring: Rubber, Gray  
Nut: Metal  
Shield: Metal  
Outer mold: Thermoplastic, Black
- $\triangle B$ \* Cable: CAT-5E, 24#\*2P+AL/MY+B, OD=6.4mm, TPU Jacket, Blue
- \* Cable length tolerance: 0.5M < L ≤ 1M: +60/-0 mm  
1M < L ≤ 3M: +120/-0 mm  
3M < L ≤ 5M: +160/-0 mm  
5M < L ≤ 10M: ±100 mm  
10M < L ≤ 20M: ±200 mm  
20M < L ≤ 30M: ±300 mm  
30M < L ≤ 99M: ±500 mm

MSDSXXXL-SDSFL-SEXXX  
 XX: No. Of Pin  
 XXX: 0.5~99Meters  
 A05: 0.5 Meter  
 1: 01 Meter  
 2: 02 Meters  
 :  
 99: 99 Meters

Shield	Braid	編織	Shield	$\triangle B$
4	Green	綠	4	Twist
2	White/Green	白/綠	2	
3	Orange	橘	3	Twist
1	White/Orange	白/橘	1	
C1	Wire Color		C2	



Pin Assignments Front View

UNIT:mm	$\pm 0.5mm$	TITLE ACC, SEN, D Code, DB-ENDED MF
SCALE 1:1	SIZE A4	SHEET 1 OF 1
REV. B	WC-REV. A	$\odot$ : Inspection item

**Amphenol LTW**  
 安費諾亮泰企業股份有限公司

ITEM NO	DRWN BY	DATE
DWG NO MSDSXXXL-SDSFL-SEXXX	Zhiwei Xie	2024/07/03
CUSTOMER ALTW	CHECKED BY Fisher Wang	DATE 2024/07/03
	APPROVED BY Fred	DATE 2024/07/03