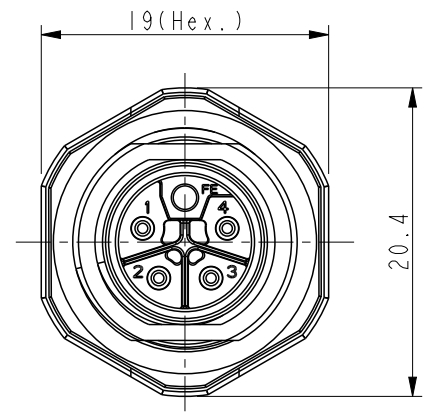
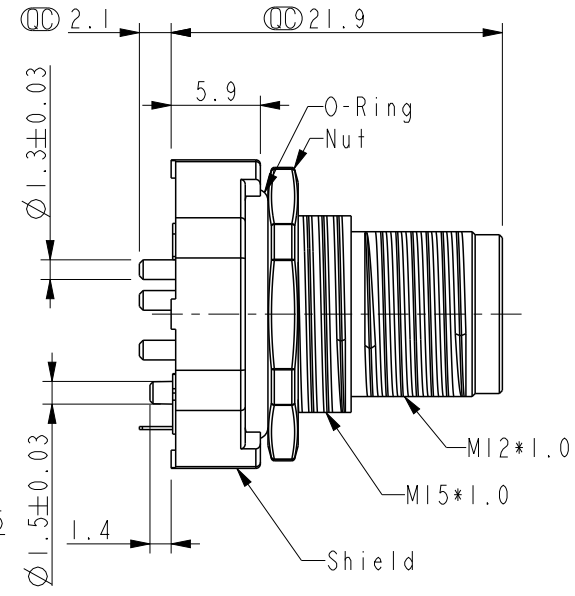
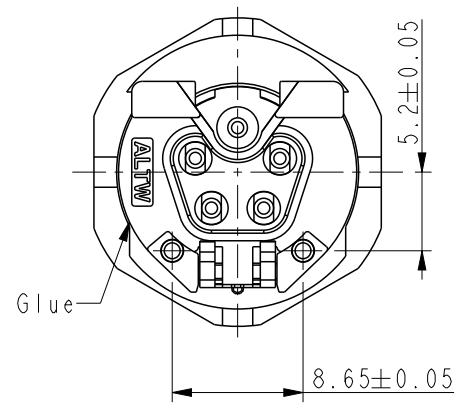
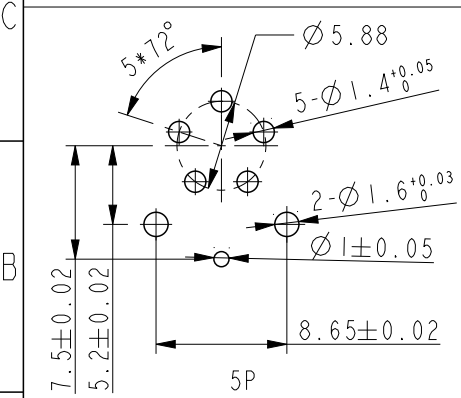
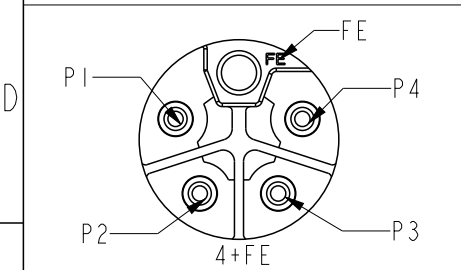
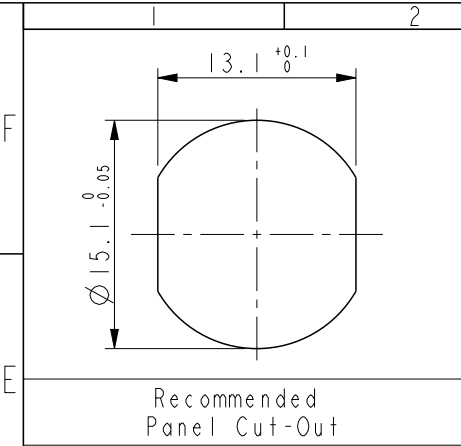


THIS DOCUMENT IS SUBJECT TO CHANGE WITHOUT NOTICE. IT IS CONFIDENTIAL AND A PROPERTY OF AMPHENOL LTW. DISCLOSURE TO THIRD PARTY HAS TO BE AUTHORIZED BY AMPHENOL LTW.

REV.	ECN NO.	DATE	SIGN	DESCRIPTION
A		2024/03/19	Yunchen	Rev.03 to Rev.A



MSLS-XXPMEP-SF8004
 XX: No. of Pin

- Note:
- * RoHS Compliant
 - * \varnothing Important dimension
 - * Waterproof rate: IP68, unmated 1m/24h
 - * Connector
 - Housing: Thermoplastic, Black
 - Pin: Copper alloy, Gold plated
 - Spring: Metal
 - O-Ring: Rubber, Black
 - * Shield: Metal
 - * Nut: Metal
 - * O-Ring: Rubber, Gray
 - * For panel thickness max: 4.0mm
 - * For pcb thickness: 1.6mm
 - * Nut is packed separately in PE bag

UNIT: mm	
TOLERANCE	
.X	±0.25
.XX	±0.1
.XXX	±0.05
ANGLES	±1°

TITLE N SEN, M12 L-SHLD, 05P, SCREW RECEPTACLE, M, M+F G, PCB S			
SCALE 2:1	SIZE A4	SHEET 1 OF 1	
REV. A	WC-REV. A.1	\varnothing : Inspection item	

Amphenol LTW
 安費諾亮泰企業股份有限公司

ITEM NO.	DRAWN BY Yunchen	DATE 2024/03/19
DWG NO. MSLS-XXPMEP-SF8004	CHECKED BY Neo	DATE 2024/03/19
CUSTOMER ALTW	APPROVED BY Fred	DATE 2024/03/19