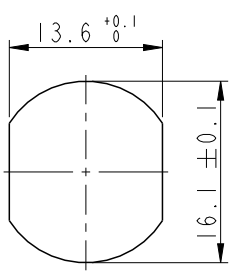
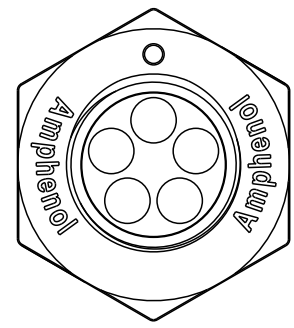
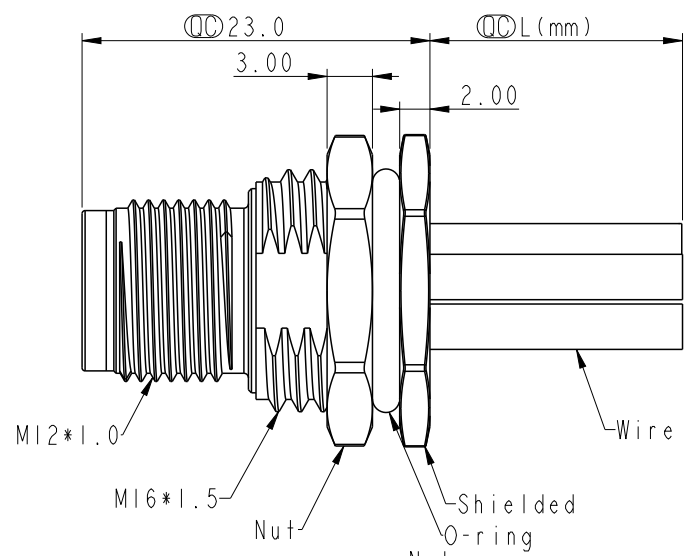
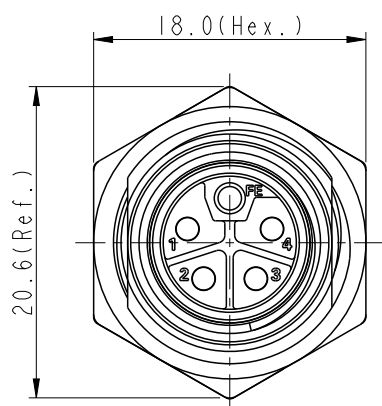


THIS DOCUMENT IS SUBJECT TO CHANGE WITHOUT NOTICE. IT IS CONFIDENTIAL AND A PROPERTY OF Amphenol LTW. DISCLOSURE TO THIRD PARTY HAS TO BE AUTHORIZED BY Amphenol LTW.

REV.	ECN NO.	DATE	SIGN	DESCRIPTION
A		2024/02/20	Wen	Rev.01 to Rev.A
B	C240301	2024/03/21	Hubert	$\triangle B$ X2
C	C240628	2024/06/03	Yunchen	$\triangle C$ X2

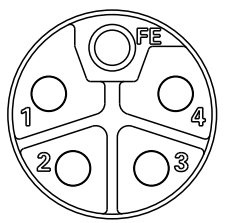


Recommended Panel Cut-Out



4	Orange	橘紅
3	Red	紅
2	Brown	棕
1	Black	黑

FE	Yellow/Green	黃/綠
Pin #	Wire	
	Pin Out	



Pin Assignments Front View

M12L-XXPMEC-SF8CXX
 XX: No. Of Pin
 15 : 150mm
 20 : 200mm
 :
 95 : 950mm
 Wire Pitch Unit=50mm
 A0 : 1000mm
 :
 A5 : 1500mm
 Wire Pitch Unit=100mm
 Wire Length (L) : 150~1500mm

- Note:
- * RoHS Compliant
 - * $\text{\textcircled{D}}$ Important dimension
 - * Waterproof rate: IP68, unmated 1m/24h IP69K, mated
 - * Connector
 - Housing: Thermoplastic, Black
 - Pin: Copper alloy, Gold plated
 - * Shielded: Metal
 - * O-Ring: Rubber, Black
 - * Nut: Metal
 - * O-ring and Nut are packed separately in PE bags.
 - * Wire: UL10669, 14#, PVC, OD:2.8, Color: See table
 - * Wire harness tolerance:
 - 100mm < L ≤ 300mm: ±15mm
 - 300mm < L ≤ 1000mm: ±20mm
 - 1000mm < L ≤ 1500mm: +50/-0mm
 - $\triangle B$ * For panel thickness max: 4.5mm

UNIT:mm		
TOLERANCE	± 0.5	

TITLE N SEN, M12 L, SCREW RECEPTACLE, M, M+F G, FI/PANEL CRIMP			
SCALE 1:1	SIZE A4	SHEET 1 OF 1	
REV. C	WC-REV.	$\text{\textcircled{C}}$: Inspection item	

Amphenol LTW
 安費諾亮泰企業股份有限公司

ITEM NO	DRAWN BY Yunchen	DATE 2024/06/03
DWG NO M12L-XXPMEC-SF8CXX	CHECKED BY Aric	DATE 2024/06/03
CUSTOMER ALTW	APPROVED BY Fred	DATE 2024/06/03