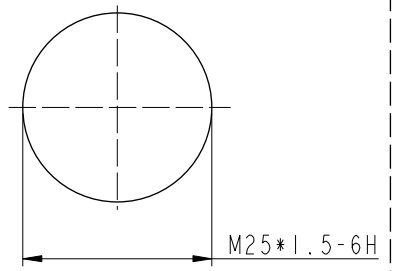
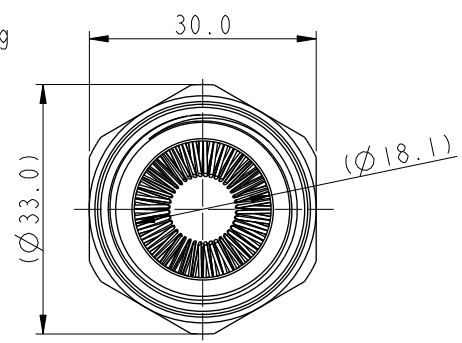
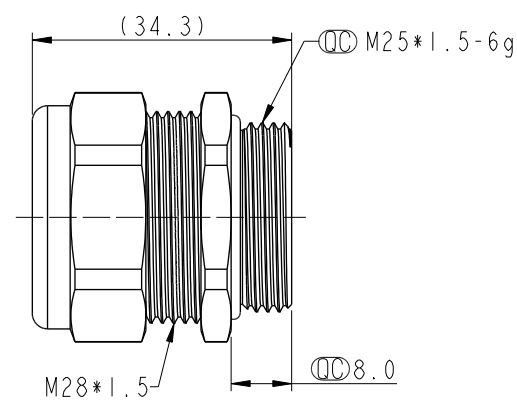
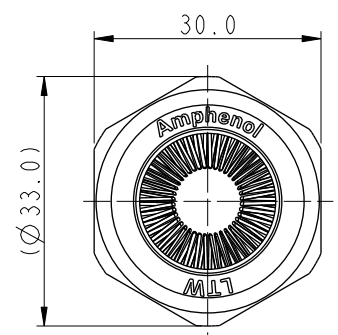
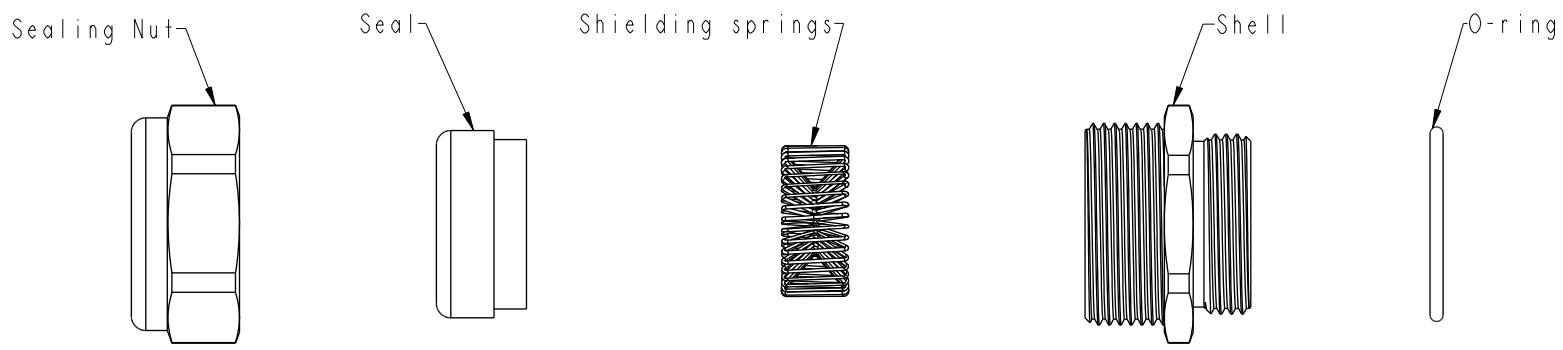


THIS DOCUMENT IS SUBJECT TO CHANGE WITHOUT NOTICE. IT IS CONFIDENTIAL AND A PROPERTY OF Amphenol LTW. DISCLOSURE TO THIRD PARTY HAS TO BE AUTHORIZED BY Amphenol LTW.

REV.	ECN NO.	DATE	SIGN	DESCRIPTION
A	-	2024/04/01	Jiahe Lin	Rev.01 To Rev.A



Recommended Panel Cut-Out

- Note:
- * RoHS Compliant
 - * (M) Important dimension
 - * Waterproof rate: IP68, 1m/24h
 - * Sealing Nut: Metal
 - * Seal: Rubber, Black
 - * Shielding springs: Metal
 - * Shell: Metal
 - * O-ring: Rubber, Black
 - * Cable Range: 14mm-17.5mm
 - * For panel thickness min: 4.5mm
 - * Operating Temperature: -40℃~160℃
 - * Salt spray test requires 48h

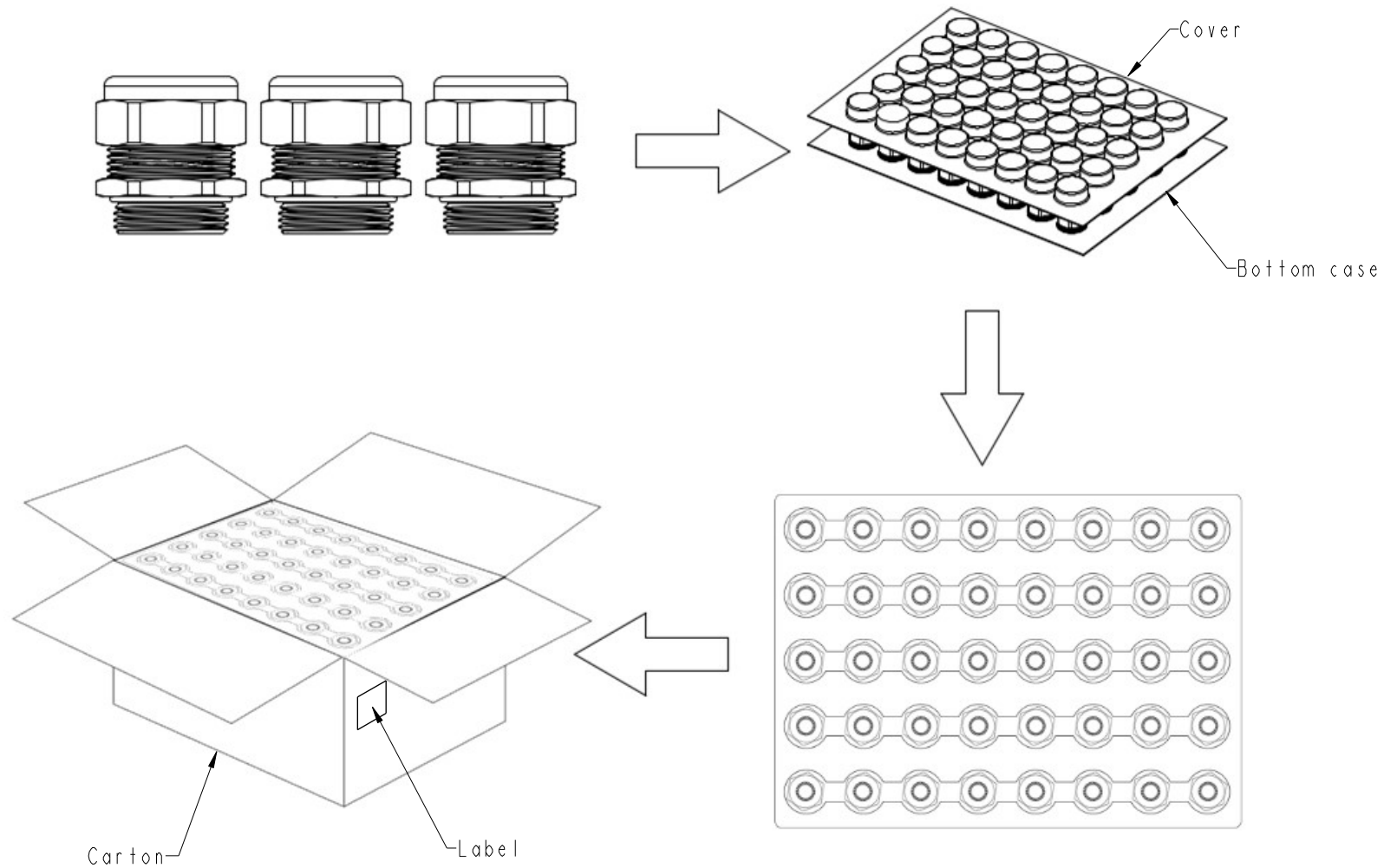
UNIT: mm		
TOLERANCE		
.X	±0.25	
.XX	±0.1	
.XXX	±0.05	
ANGLES	±1°	

TITLE CABLE GLAND, M25, ME 14, 17.5, SR, EMC		
SCALE 1:1	SIZE A4	SHEET 1 OF 2
REV. A	WC-REV.	(M): Inspection item

Amphenol LTW
安費諾亮泰企業股份有限公司

ITEM NO. ESG-25M002	DRAWN BY Jiahe Lin	DATE 2024/04/01
DWG NO. ESG-25M002	CHECKED BY Fisher Wang	DATE 2024/04/01
CUSTOMER ALTW	APPROVED BY Kevin Hu	DATE 2024/04/01

THIS DOCUMENT IS SUBJECT TO CHANGE WITHOUT NOTICE. IT IS CONFIDENTIAL AND A PROPERTY OF AMPHENOL LTW. DISCLOSURE TO THIRD PARTY HAS TO BE AUTHORIZED BY AMPHENOL LTW.



* Quantity: 40 Pcs/Tray, 200 Pcs/Carton
 * Carton size: 37x26x19cm

A	UNIT: mm			TITLE	CABLE GLAND, M25, ME 14, 17.5, SR, EMC		ITEM NO	ESG-25M002	DRAWN BY	Jiahe Lin	DATE	2024/04/01					
	TOLERANCE	.X ±0.25	.XX ±0.1	SCALE	1:1	SIZE	A4	SHEET	2	OF	2	DWG NO	ESG-25M002	CHECKED BY	Fisher Wang	DATE	2024/04/01
	.XXX ±0.05	ANGLES ±1°	REV.	A	WC-REV.			Inspection item	CUSTOMER	ALTW	APPROVED BY	Kevin Hu	DATE	2024/04/01			
				<h2 style="text-align: center;">Amphenol LTW</h2> <p style="text-align: center;">安費諾亮泰企業股份有限公司</p>													