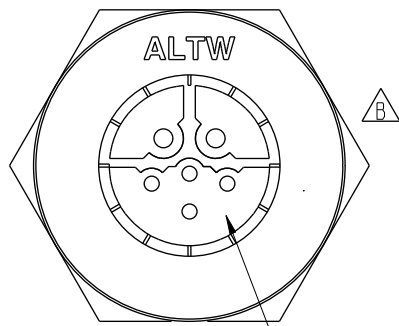
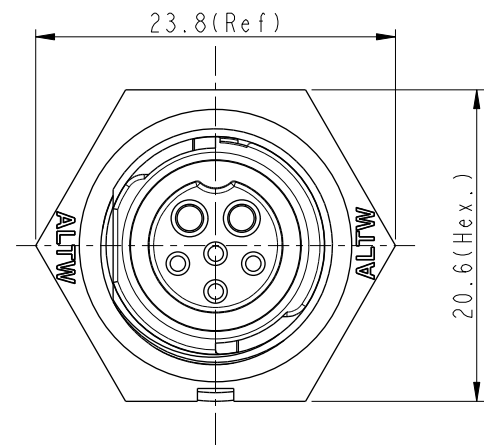
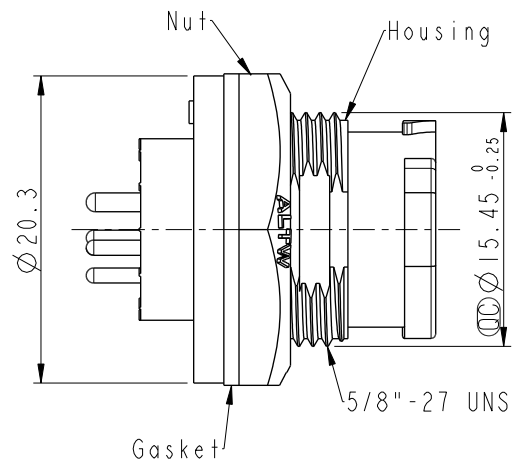


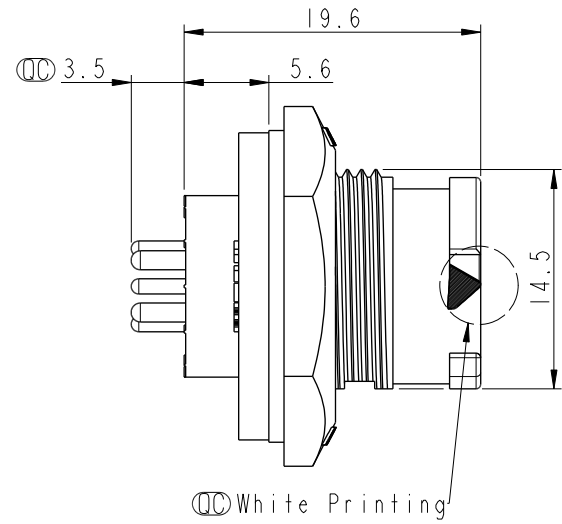
REV.	ECN NO.	DATE	SIGN	DESCRIPTION
A		2024-05-09	Vincent Huang	Rev.01 to A.
B	C240734	2024-07-01	Vincent Huang	\triangle B XI



Liquid Glue



BBD - XX P M F P - Q C 8 001
 XX: No. Of Pin



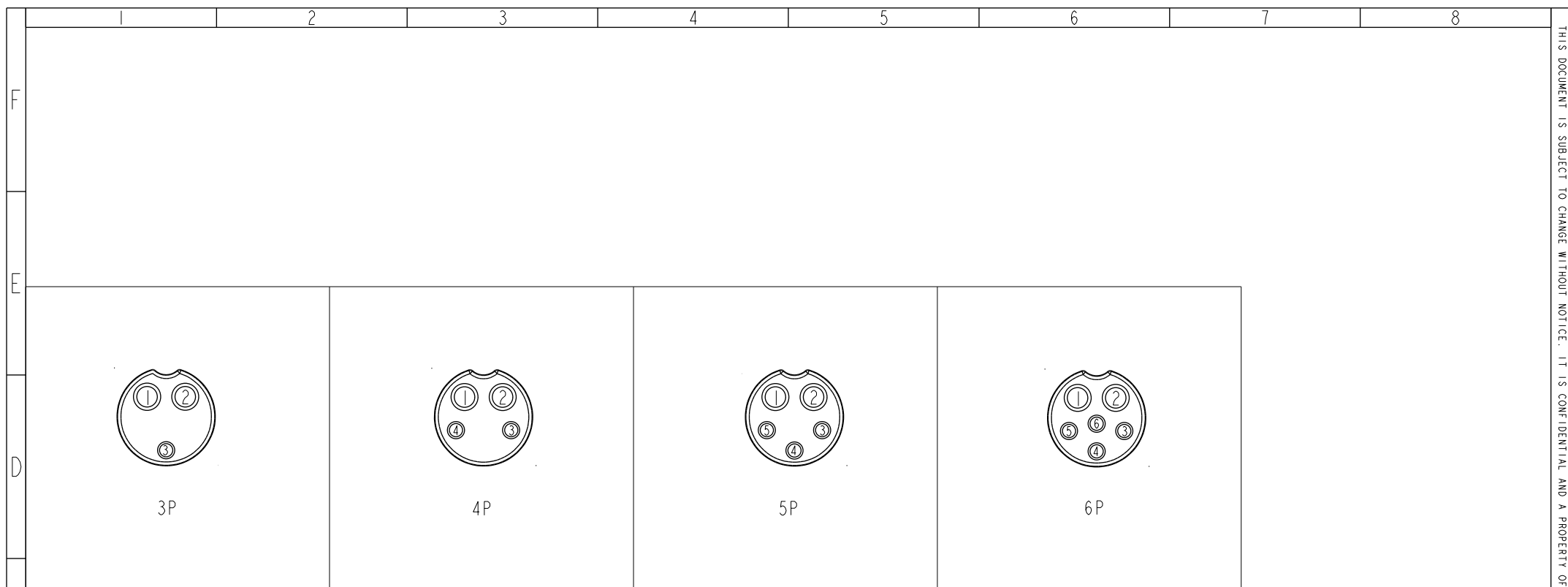
- Note:
- * RoHS Compliant.
 - * $\text{\textcircled{C}}$ Important Dimension To Check.
 - * Waterproof Rate: IP68, Unmated 1m/24h.
 - * Connector
 - Housing: Thermoplastic, Black
 - Pin: Copper Alloy, Gold Plated
 - * Nut: Thermoplastic, Black
 - * Gasket: Rubber, Gray
 - * Use Without Waterproof Cap
 - Panel Thickness Max: 4.0mm
 - * Use With Waterproof Cap
 - Panel Thickness Max: 3.0mm
 - * Gasket and Nut are packed separately in PE bags.
 - * For PCB Thickness: Max.=2.5 mm.

UNIT: mm			TITLE XLOK, 10A+5A, FRONT FASTENED M, F, PCB S, PUSH LOCK
TOLERANCE .X ±0.25 .XX ±0.1 .XXX ±0.05 ANGLES ±1°	SCALE 2:1	SIZE A4	SHEET 1 OF 2
REV. B	WC-REV. .0	$\text{\textcircled{C}}$: Inspection item	

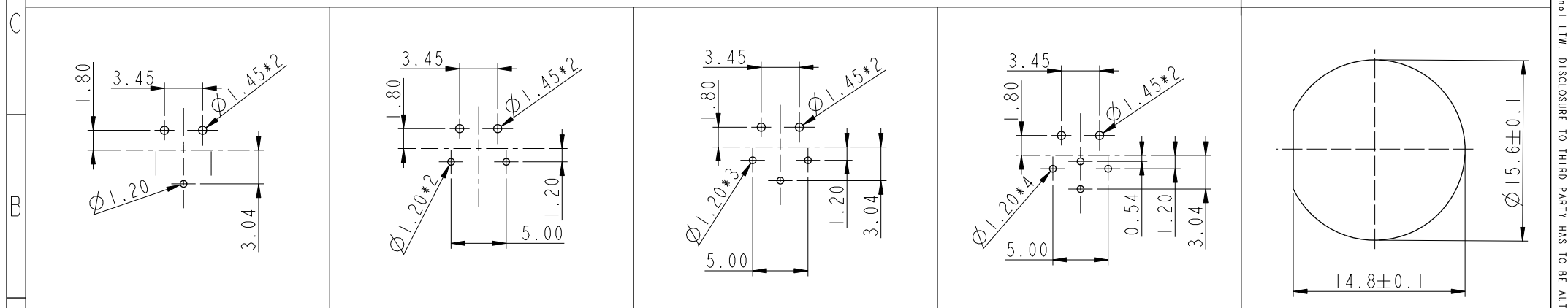
Amphenol LTW
 安費諾亮泰企業股份有限公司

ITEM NO.	DRAWN BY Vincent Huang	DATE 2024-07-01
DWG NO. BBD-XXPMFP-QC8001	CHECKED BY Neo Tsai	DATE 2024-07-01
CUSTOMER ALTW	APPROVED BY Fred Lee	DATE 2024-07-01

THIS DOCUMENT IS SUBJECT TO CHANGE WITHOUT NOTICE. IT IS CONFIDENTIAL AND A PROPERTY OF AMPHENOL LTW. DISCLOSURE TO THIRD PARTY HAS TO BE AUTHORIZED BY AMPHENOL LTW.

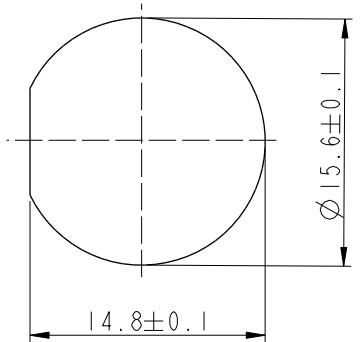


Pin Assignments Front View



PCB Layout TOLERANCE ± 0.1

Recommended Panel Cut-out



A	UNIT: mm		TITLE XLOK, 10A+5A, FRONT FASTENED M, F, PCB S, PUSH LOCK		ITEM NO		DRAWN BY		DATE			
	TOLERANCE .X ± 0.25 .XX ± 0.1 .XXX ± 0.05 ANGLES $\pm 1^\circ$		SCALE 2:1		SIZE A4		SHEET 2 OF 2		CHECKED BY Neo Tsai		DATE 2024-07-01	
			REV. B		WC-REV. .0		(QC): Inspection item		APPROVED BY Fred Lee		DATE 2024-07-01	
Amphenol LTW 安費諾亮泰企業股份有限公司					DWG NO BBD-XXPMFP-QC8001		CUSTOMER ALTW		DATE 2024-07-01			