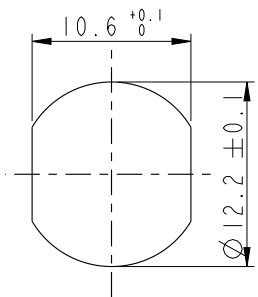


THIS DOCUMENT IS SUBJECT TO CHANGE WITHOUT NOTICE. IT IS CONFIDENTIAL AND A PROPERTY OF Amphenol LTW. DISCLOSURE TO THIRD PARTY HAS TO BE AUTHORIZED BY Amphenol LTW.

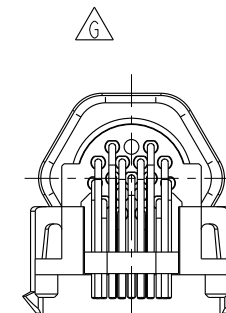
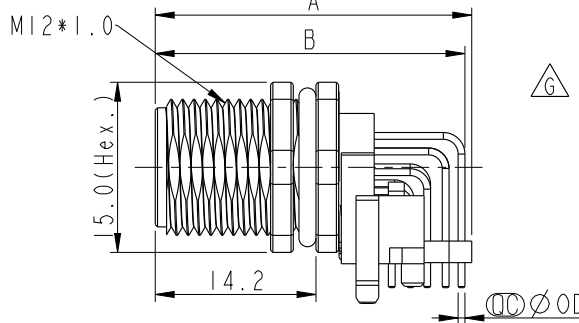
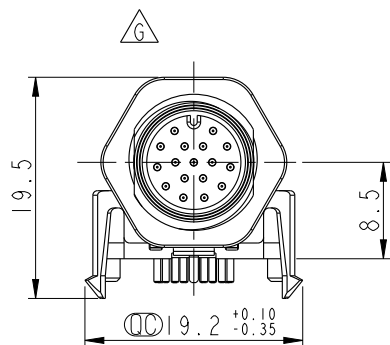
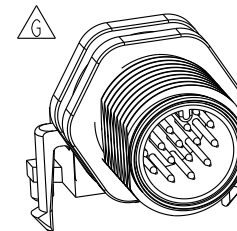
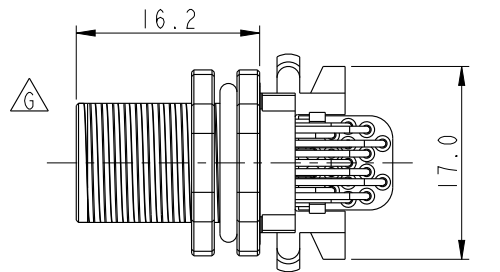
REV.	ECN NO.	DATE	SIGN	DESCRIPTION
E	C221973	2022-12-26	Ruru	△E XI
F	C231051	2023-08-11	Jack Liu	△F XI
G	C240400	2024-03-27	Xiaofeng	△G XI6



Recommended Panel Cut-Out

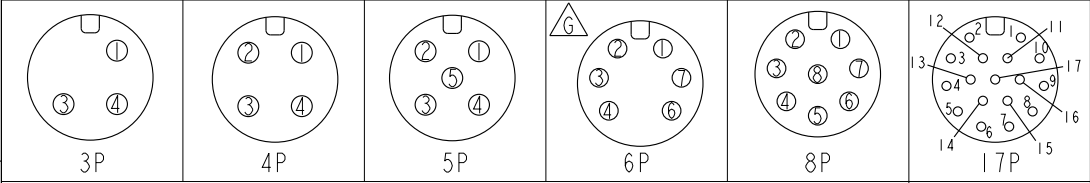
△D MSAS-XXPMMR-SF7003

XX: No. Of Pin

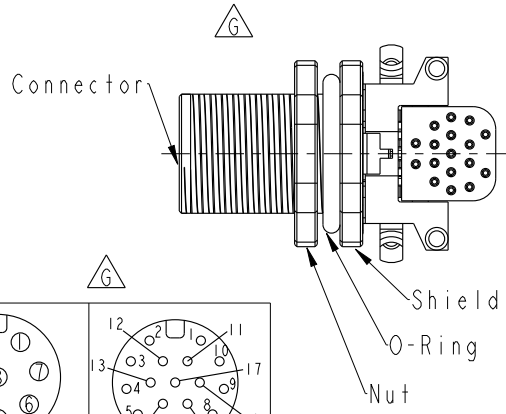


△G	△F			
MSAS-03PMMR-SF7003	26.1	25.0	1.0	
MSAS-04PMMR-SF7003	26.1	25.0	1.0	
MSAS-05PMMR-SF7003	26.1	25.0	1.0	
MSAS-06PMMR-SF7003	25.9	25.2	0.8	
MSAS-08PMMR-SF7003	25.9	25.2	0.8	
MSAS-17PMMR-SF7003	27.9	27.3	0.6	

Item No.	A	B	OD	△B
----------	---	---	----	----



Pin Assignment Front View



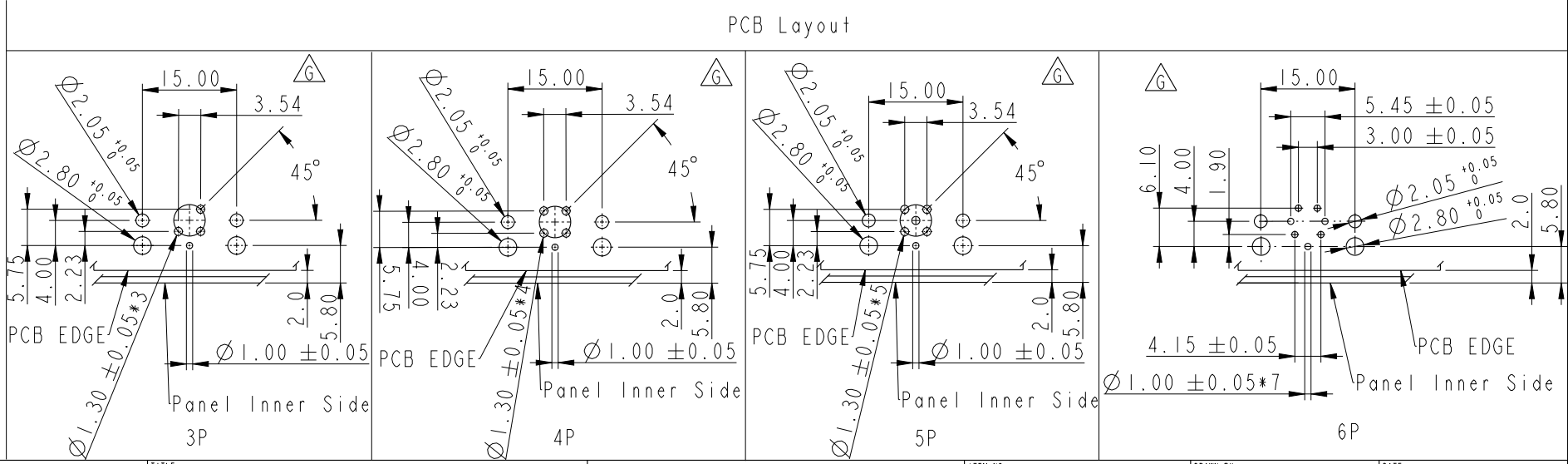
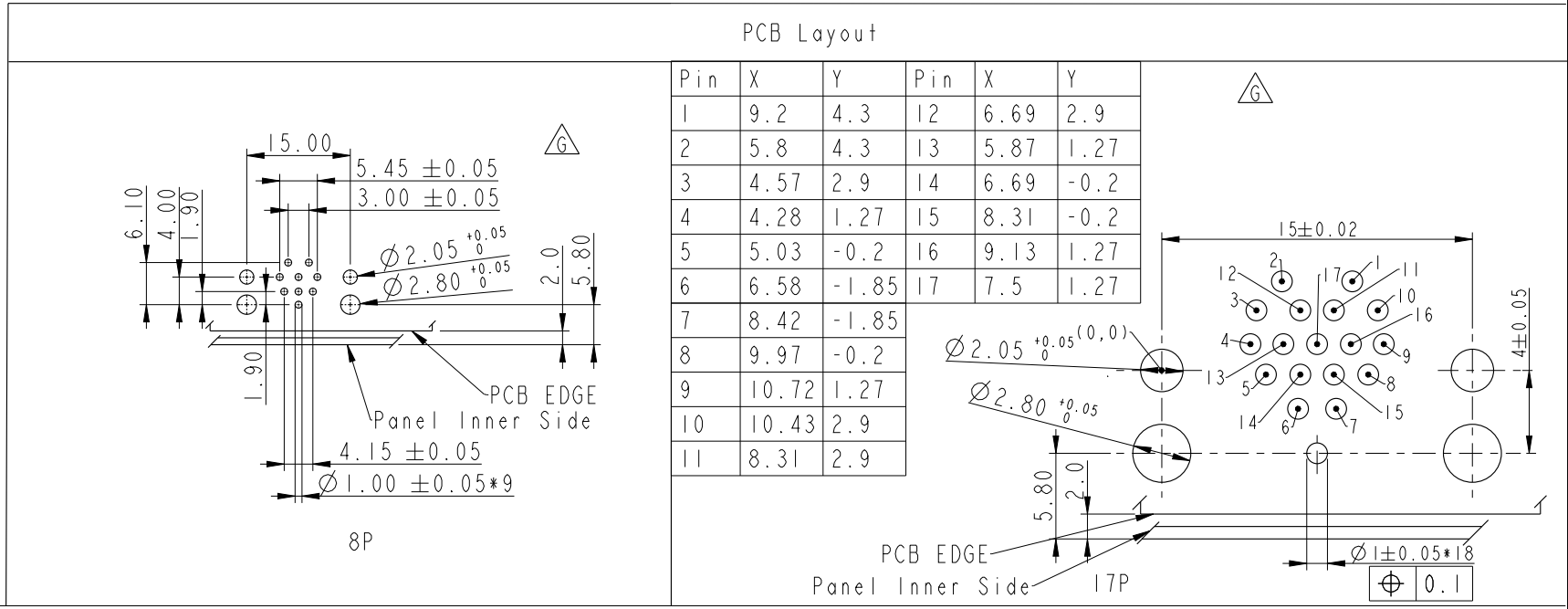
- △D Note:
- * RoHS Compliant
 - * Ⓞ Important dimension
 - △E * Waterproof rate: IP67, mated Connector
 - Housing: Thermoplastic, Black
 - Pin: Copper alloy, Gold plated
 - O-Ring: Rubber, Black
 - * Shield: Metal
 - * Nut: Metal
 - * O-Ring: Rubber, Gray
 - * For panel thickness max: 3.0mm
 - △C * For pcb thickness max: 1.6mm
 - * Nut is packed separately in pe bag

UNIT: mm			TITLE N SEN, M12 A -SHLD, SCREW RECEPTACLE, M, M, PCB R △D
TOLERANCE	.X ±0.25	.XX ±0.1	SCALE 3:2
.XXX ±0.05	ANGLES ±1°	REV. G	SIZE A4
		WC-REV. A.3	SHEET 1 OF 3
		Ⓞ: Inspection item	

Amphenol LTW
安費諾亮泰企業股份有限公司

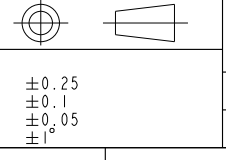
ITEM NO.	DRAWN BY	DATE
DWG NO.	CHECKED BY	DATE
CUSTOMER	APPROVED BY	DATE
ALTW	Xiaofeng	2024/03/27
	Jerry	2024/03/27
	Fred	2024/03/27

THIS DOCUMENT IS SUBJECT TO CHANGE WITHOUT NOTICE. IT IS CONFIDENTIAL AND A PROPERTY OF Amphenol LTW. DISCLOSURE TO THIRD PARTY HAS TO BE AUTHORIZED BY Amphenol LTW.



UNIT: mm

TOLERANCE
 .X ±0.25
 .XX ±0.1
 .XXX ±0.05
 ANGLES ±1°



TITLE
 N SEN, M12 A -SHLD, SCREW RECEPTACLE, M, M, PCB R

SCALE 3:2 SIZE A4 SHEET 2 OF 3

REV. G WC-REV. A.3

QC: Inspection item

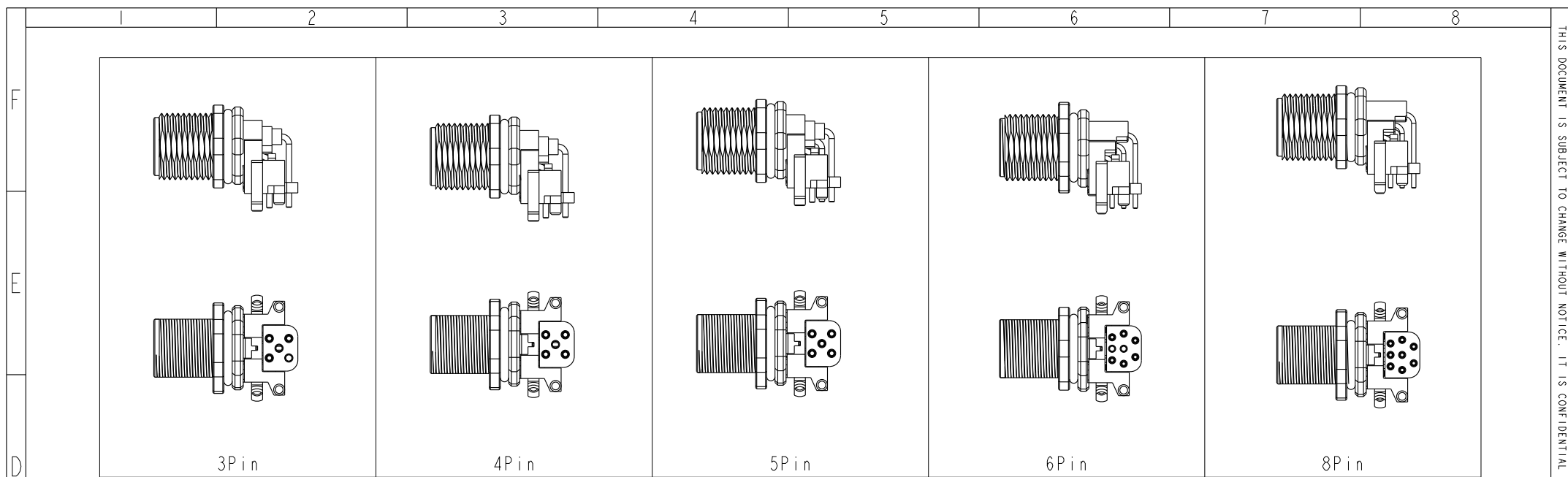
Amphenol LTW
 安費諾亮泰企業股份有限公司

ITEM NO
 DWG NO MSAS-XXPMR-SF7003
 CUSTOMER ALTW

DRAWN BY Xiaofeng
 CHECKED BY Jerry
 APPROVED BY Fred

DATE 2024/03/27
 DATE 2024/03/27
 DATE 2024/03/27

THIS DOCUMENT IS SUBJECT TO CHANGE WITHOUT NOTICE. IT IS CONFIDENTIAL AND A PROPERTY OF AMPHENOL LTW. DISCLOSURE TO THIRD PARTY HAS TO BE AUTHORIZED BY AMPHENOL LTW.



3Pin

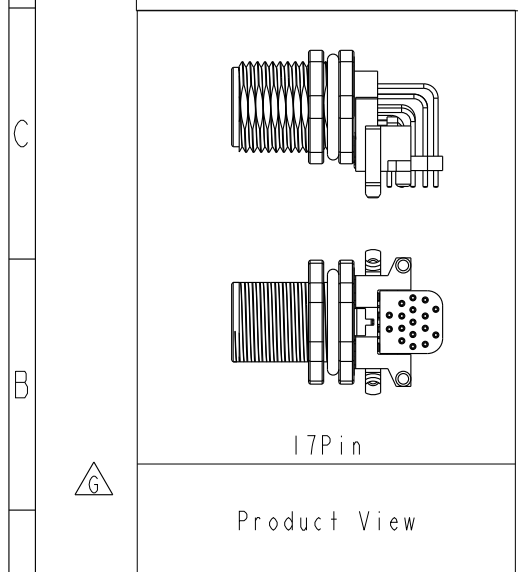
4Pin

5Pin

6Pin

8Pin

Product View



17Pin

Product View



A	UNIT:mm		TITLE N SEN, M12 A -SHLD, SCREW RECEPTACLE, M, M, PCB R		ITEM NO		DRAWN BY Xiaofeng		DATE 2024/03/27			
	TOLERANCE .X ±0.25 .XX ±0.1 .XXX ±0.05 ANGLES ±1°		SCALE 1:1		SIZE A4		SHEET 3 OF 3		CHECKED BY Jerry		DATE 2024/03/27	
			REV. G		WC-REV. A.3		CC: Inspection item		APPROVED BY Fred		DATE 2024/03/27	
<h1 style="margin: 0;">Amphenol LTW</h1> <p style="margin: 0;">安費諾亮泰企業股份有限公司</p>					CUSTOMER ALTW		DATE 2024/03/27					