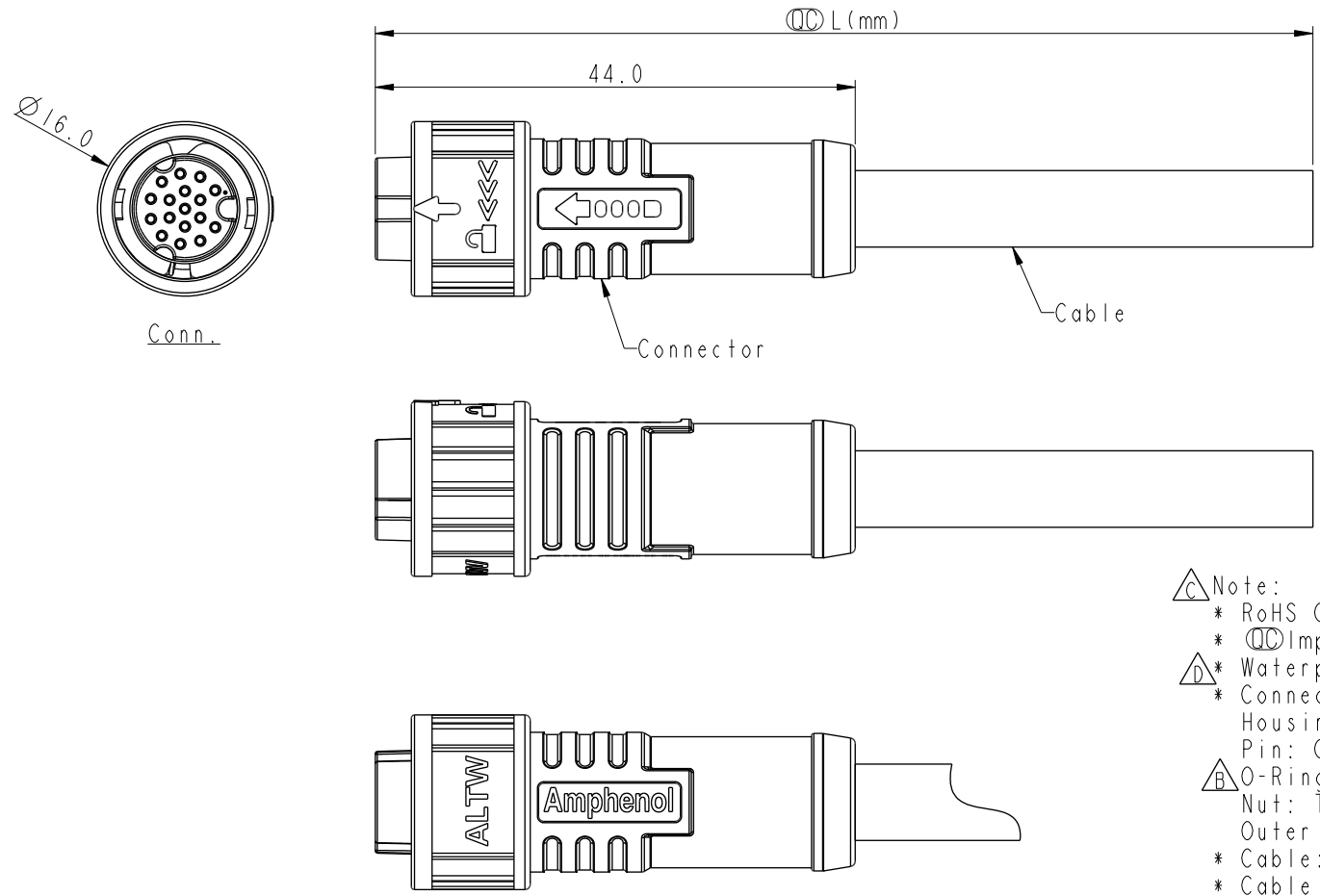


THIS DOCUMENT IS SUBJECT TO CHANGE WITHOUT NOTICE. IT IS CONFIDENTIAL AND A PROPERTY OF AMPHENOL LTW. DISCLOSURE TO THIRD PARTY HAS TO BE AUTHORIZED BY AMPHENOL LTW.

REV.	ECN NO.	DATE	SIGN	DESCRIPTION
B	C211270	2021/08/13	Ouyang	XI
C	C220487	2022/04/06	Vicky	X7
D	C230091	2023/02/02	Ruru	XI



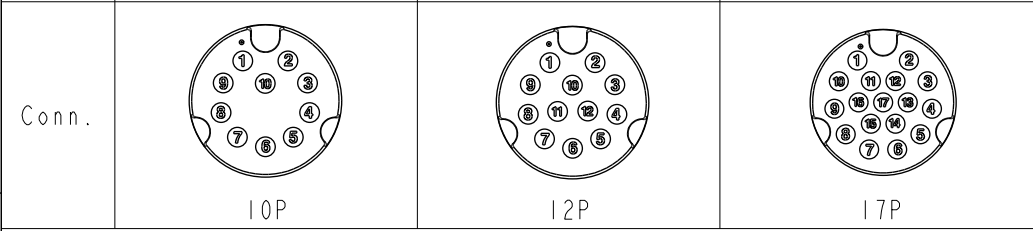
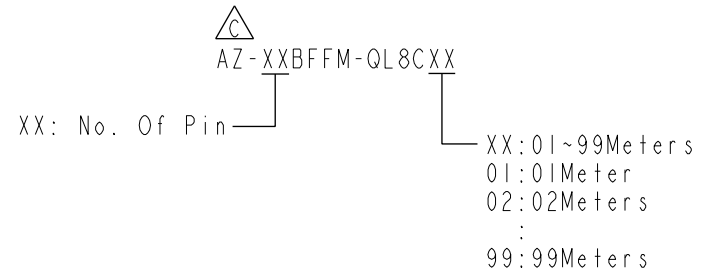
- Note:
- * RoHS Compliant
 - * Important dimension
 - * Waterproof rate: IP68, mated 1m/24h
 - * Connector
 - Housing: Thermoplastic, Black
 - Pin: Copper alloy, Gold plated
 - * O-Ring: Rubber, Gray
 - * Nut: Thermoplastic, Black
 - * Outer mold: Thermoplastic, Black
 - * Cable: UL2517, PVC Jacket, Black
 - * Cable length tolerance: 1M: +50/-0 mm
 - 1M < L ≤ 3M: +100/-0 mm
 - 3M < L ≤ 5M: +150/-0 mm
 - 5M < L ≤ 10M: ±100 mm
 - 10M < L ≤ 20M: ±200 mm
 - 20M < L ≤ 30M: ±300 mm
 - 30M < L ≤ 99M: ±500 mm

A	UNIT: mm		TITLE XLOK, A-1.5A, CABLE W/O SR F, F, MOLDING, PUSH LOCK		ITEM NO	DRAWN BY Ouyang	DATE 2020-11-27
	TOLERANCE ±0.5mm	SCALE 1:1	SIZE A4	SHEET 1 OF 2	DWG NO AZ-XXBFFM-QL8CXX	CHECKED BY Jerry	DATE 2020-11-27
	REV. D	WC-REV. .0	: Inspection item		CUSTOMER ALTW	APPROVED BY Fred	DATE 2020-11-27
	Amphenol LTW 安費諾亮泰企業股份有限公司						

THIS DOCUMENT IS SUBJECT TO CHANGE WITHOUT NOTICE. IT IS CONFIDENTIAL AND A PROPERTY OF AMPHENOL LTW. DISCLOSURE TO THIRD PARTY HAS TO BE AUTHORIZED BY AMPHENOL LTW.

	17P	7.0	26	AZ-17BFFM-QL8CXX
	12P	6.0		AZ-12BFFM-QL8CXX
	10P	6.0		AZ-10BFFM-QL8CXX
^C	Contacts	Cable OD	AWG	Item No.

Pin Out	10	Violet	紫	12	Red/Blue	紅/藍	17	White/Gray	白/灰
	9	Black	黑	11	Gray/Pink	灰/粉	16	Yellow/Brown	黃/棕
	8	Red	紅	10	Violet	紫	15	White/Yellow	白/黃
	7	Blue	藍	9	Black	黑	14	Brown/Green	棕/綠
	6	Pink	粉	8	Red	紅	13	White/Green	白/綠
	5	Gray	灰	7	Blue	藍	12	Red/Blue	紅/藍
	4	Yellow	黃	6	Pink	粉	11	Gray/Pink	灰/粉
	3	Green	綠	5	Gray	灰	10	Violet	紫
	2	Brown	棕	4	Yellow	黃	9	Red	紅
	1	White	白	3	Green	綠	8	Gray	灰
				2	Brown	棕	7	Black	黑
				1	White	白	6	Yellow	黃
							5	Pink	粉
							4	Green	綠
							3	White	白
							2	Blue	藍
							1	Brown	棕



UNIT:mm		TITLE XLOK, A-1.5A, CABLE W/O SR F, F, MOLDING, PUSH LOCK	
TOLERANCE	±0.5mm	SCALE 1:1	SIZE A4
		SHEET 2	OF 2
REV. D	WC-REV. .0	QC: Inspection item	

Amphenol LTW
安費諾亮泰企業股份有限公司

ITEM NO	DRAWN BY Ouyang	DATE 2020-11-27
DWG NO AZ-XXBFFM-QL8CXX	CHECKED BY Jerry	DATE 2020-11-27
CUSTOMER ALTW	APPROVED BY Fred	DATE 2020-11-27