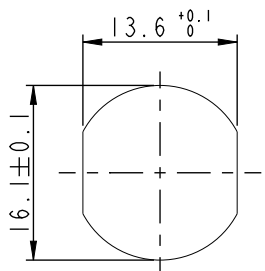
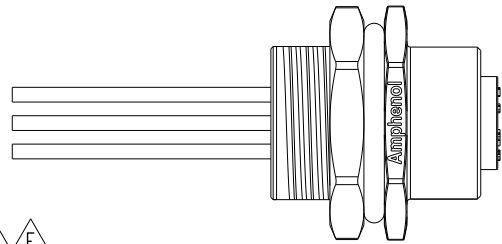
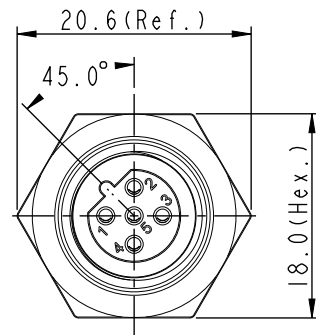
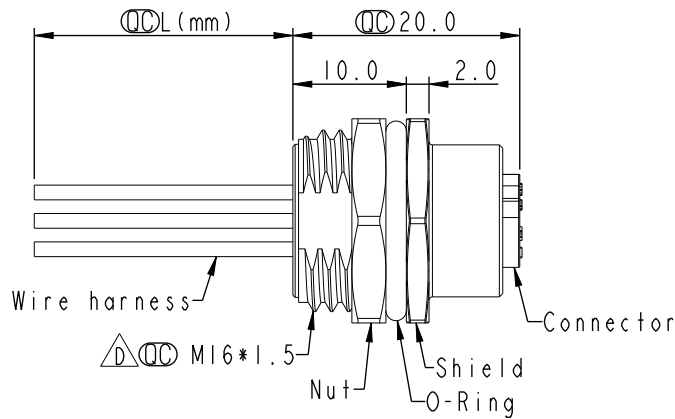
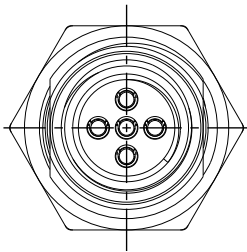


THIS DOCUMENT IS SUBJECT TO CHANGE WITHOUT NOTICE. IT IS CONFIDENTIAL AND A PROPERTY OF Amphenol LTW. DISCLOSURE TO THIRD PARTY HAS TO BE AUTHORIZED BY Amphenol LTW.

REV.	ECN NO.	DATE	SIGN	DESCRIPTION
F	C221879	2022-12-20	Ruru	F XI
G	C231031	2023-08-04	Ruru	G XI
H	C240659	2024/06/11	Hubert	H XI



Recommended Panel Cut-Out



MI2B-XXPFFC-SH8CXX

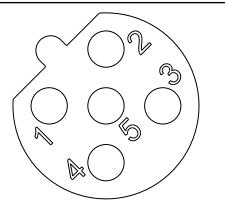
XX: No. Of Pin

- 10: 100mm
- 15: 150mm
- 20: 200mm
- ↓
- 95: 950mm
- Cable Pitch Unit=50mm
- ↓
- A0: 1000mm
- ↓
- A5: 1500mm
- Cable Pitch Unit=100mm
- Wire Length (L): 150~1500 mm

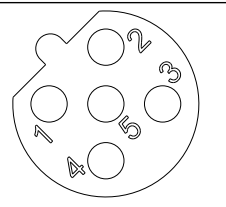
- Note: C D E
- * RoHS Compliant
 - * \varnothing Important dimension
 - * Waterproof rate: IP68, unmated 1m/24h
G IP69K, mated
 - * Connector
 - Housing: Thermoplastic, Black
 - Pin: Copper alloy, Gold plated
 - O-Ring: Rubber, Green
 - * Shield: Metal
 - * Nut: Metal
 - * O-Ring: Rubber, Black
 - * Wire harness: UL1061, 22AWG
 - * For panel thickness max: 4.5mm
 - * O-Ring and nut are assembled on connectors
 - * Wire harness tolerance:
 - 100mm: ±10mm
 - 100mm < L ≤ 300mm: ±15mm
 - 300mm < L ≤ 1000mm: ±20mm
 - 1000mm < L ≤ 1500mm: ±50mm

Pin #	Wire	Pin #	Wire
5	Gray	4	Black
4	Black	3	Blue
3	Blue	2	White
2	White	1	Brown
1	Brown		

Pin Out



5P



4P

Pin Assignments Front View

UNIT: mm

TOLERANCE	
.X	±0.25
.XX	±0.1
.XXX	±0.05
ANGLES	±1°

TITLE N SEN, MI2 B, SCREW RECEPTACLE, F, F, FI/PANEL CRIMP			
SCALE	SIZE	SHEET	OF
2:1	A4	1	1
REV.	WC-REV.	\varnothing : Inspection item	
H	A.5		

Amphenol LTW
安費諾亮泰企業股份有限公司

ITEM NO	DRAWN BY	DATE
	Hubert	2024/06/11
DWG NO	CHECKED BY	DATE
MI2B-XXPFFC-SH8CXX	Aric	2024/06/11
CUSTOMER	APPROVED BY	DATE
ALTW	Fred	2024/06/11